



## VCS-1 AND VCS-2 FITTER

*The VCS Fitter has an indoor rating when ordered without a globe. Great for use in industrial applications or for residential and commercial applications. The VCS is also available with a powder coat paint finish.*

### VCS-1

**MOUNTING HUB** Precision die cast with hub threaded for 1/2" NPT pipe

**FITTER** 100 watt maximum. All 100 series glass and lexan globes will fit this unit. Please note if using lexan globes the cast guards will not fit.

**SOCKET** Porcelain, medium base, 4KV pulse rated socket with a nickle-plated screw shell and a spring-loaded centre contact.

### VCS-2

**MOUNTING HUB** Precision die cast with hub threaded for 1/2" NPT pipe

**FITTER** 200 watt maximum. All 200 series glass and lexan globes will fit this unit. Please note if using lexan globes the cast guards will not fit.

**SOCKET** Porcelain, medium base, 4KV pulse rated socket with a nickle-plated screw shell and a spring-loaded centre contact.



**APPROVAL** CSA

**LAMP** Not included

**FINISH** Standard finish is raw. Also available with a powder coat paint finish. Some of the most common colours are black, red, white and blue. For other colours please consult factory.



[www.rabdesign.ca](http://www.rabdesign.ca)

## Catalog Code



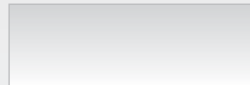
VCS-1



FINISH

IF RAW FINISH LEAVE BLANK  
BLK - BLACK  
RD - RED  
WH - WHITE  
BL - BLUE  
CC - CUSTOM COLOUR

## Catalog Code



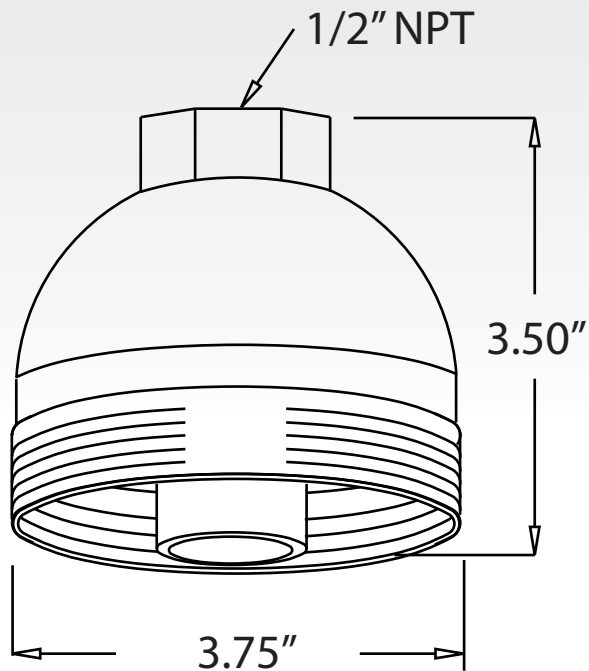
VCS-2



FINISH

IF RAW FINISH LEAVE BLANK  
BLK - BLACK  
RD - RED  
WH - WHITE  
BL - BLUE  
CC - CUSTOM COLOUR

## Dimensions



## Dimensions

