



VAS100CG WEATHER PROOF

The VAS100CG fixture is weather proof rated for use indoors and outdoors for mounting to an existing electrical wiring box. Great for use in industrial applications or for residential and commercial applications where you want an industrial look with a bit of flair with a painted finish and coloured glass. For custom versions of this and other weather proof fixtures please visit our web site and look under architectural in the products section.

FITTER Threaded die cast with cork gaskets.

SOCKET Porcelain, medium base, 4KV pulse rated socket with a nickle-plated screw shell and a spring-loaded centre contact.

GLOBE Standard unit comes with clear globe, also available are clear prismatic, frosted and coloured globes. There are two types of coloured globes available. The GL glass is painted on the inside. The second type of glass is the RGL series, which has a more brilliant colour. This is achieved by having the colour added while the glass is being made. Both types of glass are available in the following colours amber, blue, green, red and white

GUARD Die cast, threaded with set screw for locking guard in place.



MAXIMUM WATTAGE 100w incandescent.

APPROVAL CSA

LAMP Not included

FINISH Standard finish is raw. Also available with a powder coat paint finish. Some of the most common colours are black, red, white and blue. For other colours please consult factory.



www.rabdesign.ca

Catalog Code

VAS

GL100 - CLEAR
 GL100CL-RIB - PRISMATIC
 GL100SB - FROSTED

PAINTED GLOBES

GL100A - AMBER
 GL100G - GREEN
 GL100R - RED
 GL100B - BLUE

RGL GLOBES

RGL100A - AMBER
 RGL100G - GREEN
 RGL100R - RED
 RGL100B - BLUE

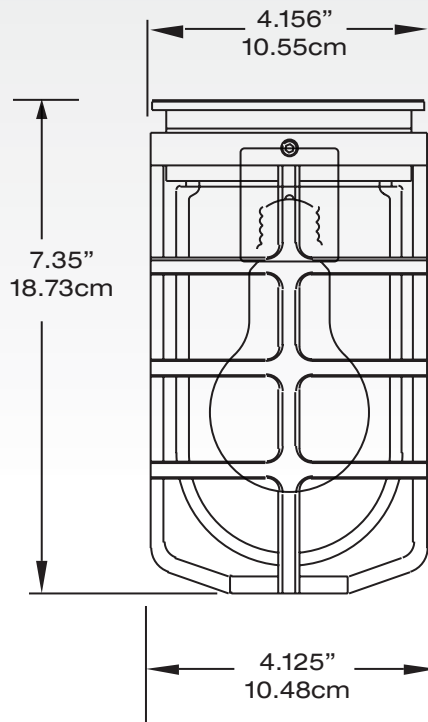
IF RAW FINISH LEAVE BLANK

BLK - BLACK
 RD - RED
 WH - WHITE
 BL - BLUE
 CC - CUSTOM COLOUR

CG - CAST GUARD

Dimensions

RAB
 DESIGN



GL100
 CLEAR



GL100CL-RIB
 PRISMATIC



GL100SB
 FROSTED



GL100G
 GREEN



GL100A
 AMBER



GL100B
 BLUE



GL100R
 RED



RGL100A
 AMBER



RGL100G
 GREEN



RGL100R
 RED



RGL100B
 BLUE

