



## SPQ - 4" SQUARE ALUMINUM POLE

*The SPQ pole is available from 8 feet up to 16 feet in height. This square pole is for use with single and multiple globe assemblies, with the option of a post line ballast up to 150 watt HPS or 100 watt MH ballast. The following fixtures can be used with the SPQ pole, Gamma, Torchlite, Small Colonial, Medium Colonial, S7, Victoria, Windsor, Small Jaguar, Waterford and the Coachman. Ideal for use in small courtyards, condominiums and apartment buildings.*

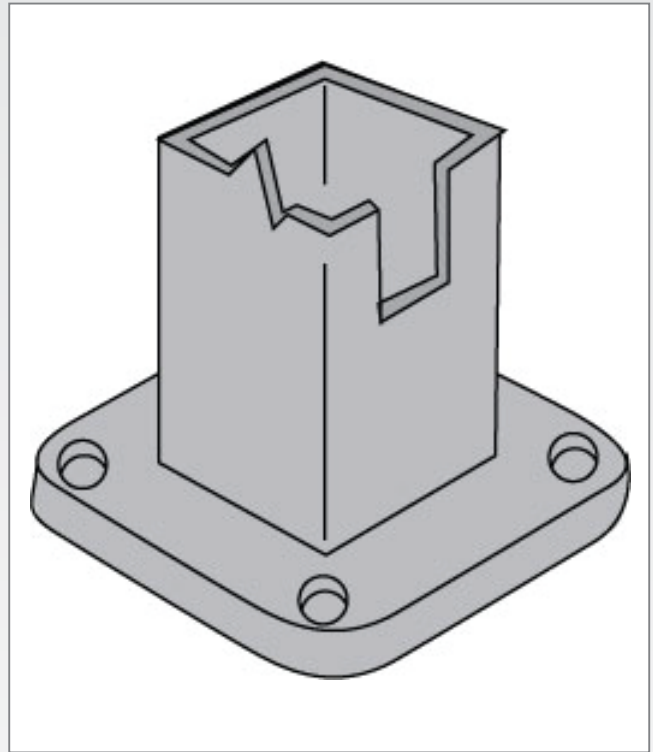
**POLE** Extruded aluminum, with a 4" square with .180 wall thickness. Pole has a powder coat paint finish.

**BASE** Cast aluminum base welded to the pole. Base is held in place with four 5/8" diameter anchor bolts that are to be set into a concrete pad.

**ANCHOR BOLTS** Four galvanized, 5/8" x 15" diameter, twelve inch long anchor bolts complete with nuts and washers.

**OPTIONS** Hand hole with cover, 3" tenon, drillings for arm mounted fixtures.

**FINISH** Standard colours are black and bronze. For custom colours please consult factory.



# Catalog Code

SPQ

8, 10, 12, 14, 16 (FEET)

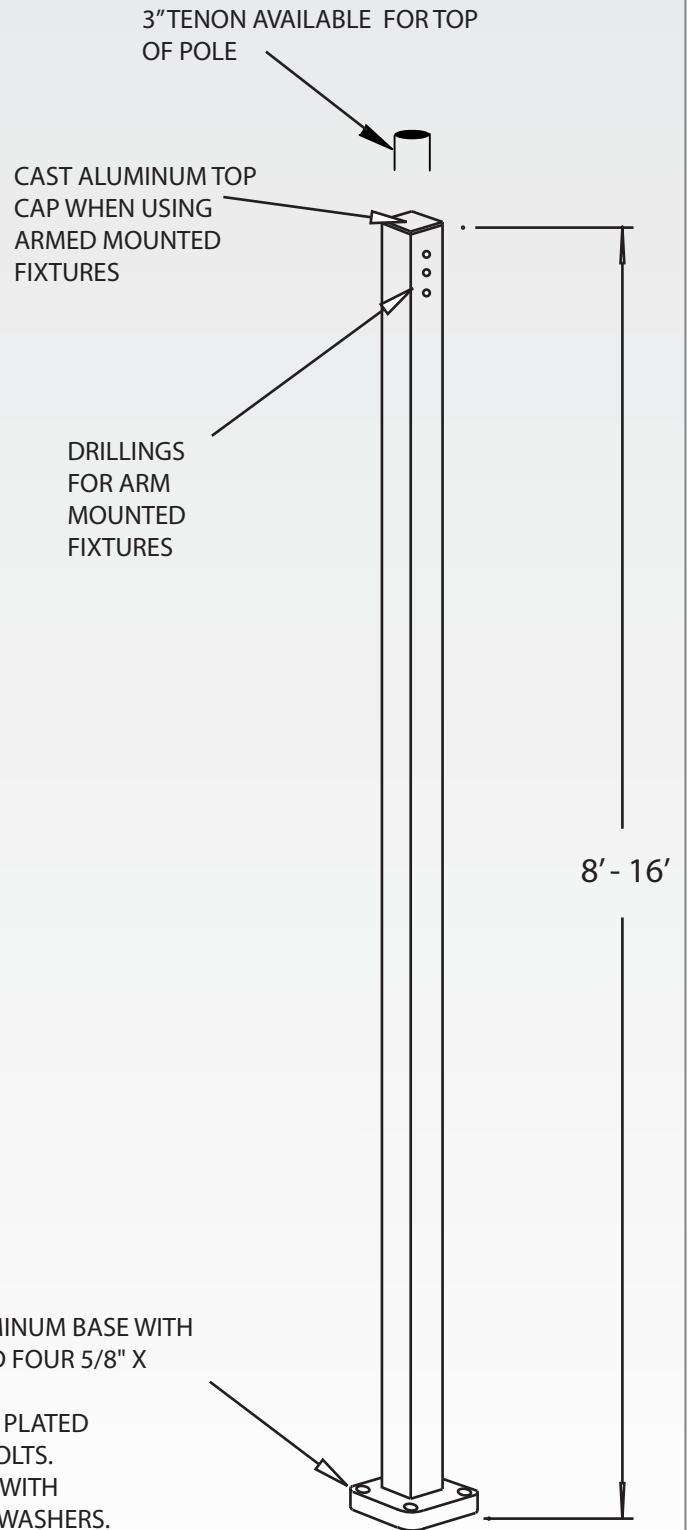
HEIGHT IN FEET

BRZ - BRONZE  
BLK - BLACK  
CC - CUSTOM FINISH

FINISH

H/H - HAND HOLE & COVER  
3 - 3" TENON  
1 - SINGLE DRILLING  
2 - TWO DRILLINGS AT 180°  
2A - TWO DRILLINGS AT 90°  
3 - THREE DRILLINGS

OPTIONS



0511