

XC-2 – ZINC COVER

 ROUND COVER



INCLUDES:

 x 1 cork gasket

CONSTRUCTION

- Die cast zinc cover with one 3/4" opening.
- Raw zinc finish is standard.

FEATURES

- Package includes cover and a cork gasket.

ALSO AVAILABLE IN:

 White

 Black

 Bronze

 Custom Colours

APPLICATION:

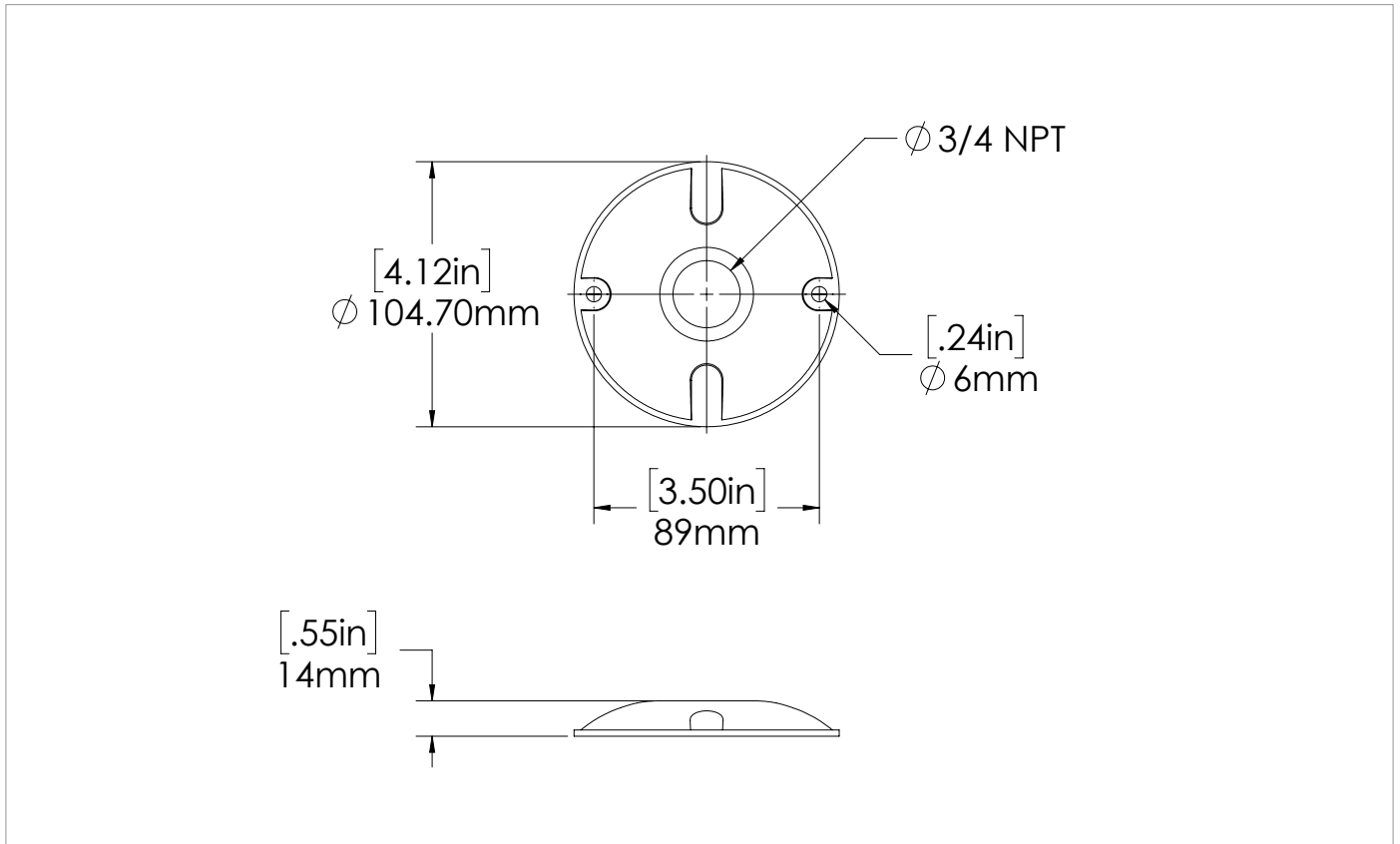
 Ideal for industrial or commercial use

 Weather resistant

CERTIFICATION:



DIMENSIONS



ORDER INFO

STOCK CODE / DESCRIPTION

008658 XC-2 - ZINC COVER - 1 X 3/4" ENTRIES

008666 XC-2 - BLACK COVER - 1 X 3/4" ENTRIES

008667 XC-2 - BRONZE COVER - 1 X 3/4" ENTRY

008668 XC-2 - WHITE COVER - 1 X 3/4" ENTRY