

Slim LED Pucklight with stippled lens features flexible in-out connections which allow you to combine pucklights and linear models



APPLICATIONS

Ideal for task lighting, kitchen cabinets, closets, display cases and offices.

Project	
Type	
Date	
Notes	

SPECIFICATIONS

Construction

Brushed nickel housing with stippled lens. Flexible in-out connections allow you to combine puck lights in series or combine with linear models such as the UCA, UC or UCT series. The UCP2 connects to hardwired or plugin power supplies (sold separately). The fixture comes with one pucklight, one screw, and one cable connector.

Optics

LEDs have a color temperature of 4000K natural white and are also available as 3,000K warm white. The operating temperature range is -40°C to +40°C. LED life of 100,000 hours.

Electrical

Total system wattage of the unit is 3W. Fixture uses plugin and hardwire 24VDC drivers. 12V DC is available as an option.

Mounting

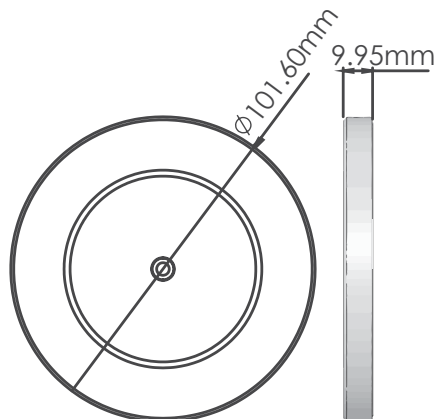
Fixture can be surface mounted.

Finish

Standard finish is brushed nickel.

Input Watts	3W
Lumens	231
Efficacy	52 lumens per watt
Operating Temperature	-20°C to +40°C
Certification	cULus
Warranty	5 Years
Colour Temperature	4000K (natural white) 3000K (warm white)
LED life	100,000 hours
Voltage	24V DC (standard) 12V DC (option)
Mounting	surface mount recessed

DIMENSIONS



Flexible power in/power out connections allow you to combine pucklights in series.



ORDERING GUIDE



COLOUR TEMP

- WW - (warm white) 3000K**
- NW - (natural white) 4000K**

* Standard configuration