

The TS-LED is ideal for stairwells, maintenance areas, industrial applications with low ceilings, particularly within the mining industry. The LED option can replace a 150MH fixture giving similar light levels.



APPLICATIONS

Ideal for rough service applications, tunnels, maintenance areas, and mining applications.

Project	
Type	
Date	
Notes	

SPECIFICATIONS

Construction

Die-cast aluminum alloy (LM6M). The housing has a 1/2" threaded entry on both ends of the luminaire. One entry is plugged.

Frame Assembly

The lens frame is a die-cast aluminum alloy with a continuous neoprene gasket. The lens is secured by four corner brackets and is sealed to the lens frame with a gasket. A stainless steel pin hinges the lens frame assembly to the housing, while a captive stainless steel screw secures the other end.

Optical Assembly

The aluminum reflector design, combined with the prismatic borosilicate lens, provides a precise and efficient optical performance.

LED Configuration

Six LED arrays driven at 500ma provide 4467 lumens. The LEDs consume 58 watts (total power consumed 70 watts). Standard unit comes with 4k LEDs.

Driver

Standard unit comes with a 120-277 volt driver at 500ma.

Options

Wireguard, Polycarbonate lens, Hazardous Class 1 Div. available.

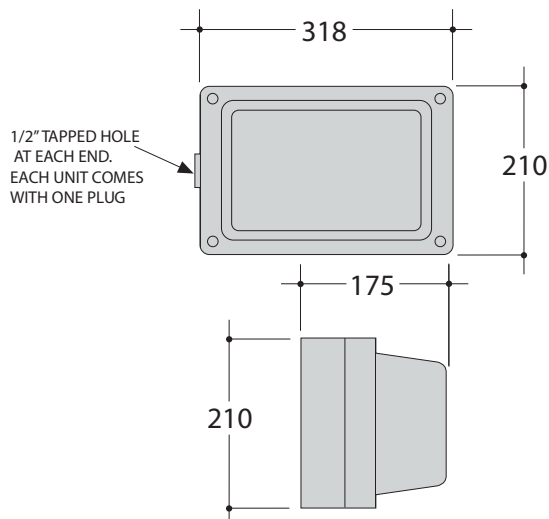
Finish

Standard finish is black.

Equivalent to	150 MH
Fixture Watts	58W
Lumens	4,467
Efficiency	77 lumens/watt

Rated Life	100,000 hours
Colour Temperature	4000K (standard)
Warranty	5 Years
Operating temperature	-40°C to +40°C

DIMENSIONS



ORDERING GUIDE



* Standard configuration