

The Nite Hawk is ideal for rough service applications such as stairwells, tunnels and maintenance areas with low ceilings, particularly in the mining industry. The Nite Hawk in LED is also available for hazardous location rating please see NTH-EXP version, for HID versions please see NITEHAWK.



APPLICATIONS

Ideal for rough service applications, tunnels, maintenance areas, and mining applications.

Project	
Type	
Date	
Notes	

SPECIFICATIONS

Construction

Die-cast aluminum alloy (LM6M). The housing has a 1/2" threaded entry on both ends of the luminaire. One entry is plugged.

Frame Assembly

The lens frame is a die-cast aluminum alloy with a continuous neoprene gasket. The lens is secured by four corner brackets and is sealed to the lens frame with a gasket. A stainless steel pin hinges the lens frame assembly to the housing, while a captive stainless steel screw secures the other end.

LED Configuration

2 Cree COB LEDs built in, 2,089 lumens out of the fixture, CRI > 70. LEDs operating temperature is -40°C to 40°C.

Driver

Fixture has an Integrated driver operating at 120-277 volts. Total power consumed is 20 watts.

Options

Wireguard (sold separately), Polycarbonate lens, Hazardous Class 1 Div. available. Please see NTH-EXP.

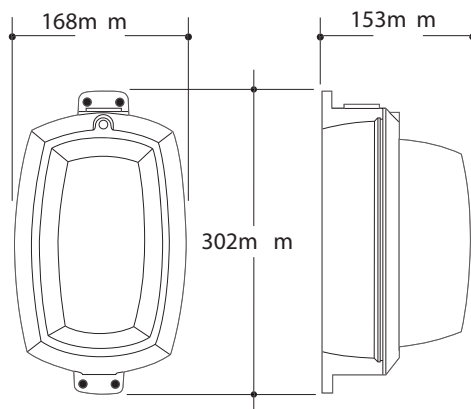
Finish

Standard finish is black.

Equivalent to	50W MH
Fixture Watts	20W
Lumens	2,089
Efficacy	104 lumens/watt

Rated Life	100,000 hours
Colour Temperature	3000K or 4000K or 5000K available
Warranty	5 Years
Operating temperature	-40°C to +40°C

DIMENSIONS



FIXING POINTS : 4 X 8mm dia. holes
on 280 x 32mm centre s



ORDERING GUIDE

NTH	-	LED20	-	B	-	BLK	-			
				VOLTAGE		COLOUR TEMP		FINISH		OPTIONS
				B - 120-277V*		3K - 3000K 4K - 4000K 5K - 5000K		BLK- BLACK*		PCL - Polycarbonate Lens

*Standard configuration

ACCESSORIES SOLD SEPARATELY

004310 - NITEHAWK WIRE GUARD