



ATR

Aluminum Tapered Round Pole

SPECIFICATIONS

Height	12ft, 16ft
Weight	12ft: 39.68lb 16ft: 48.5lb
Diameters	5" at base, tapering to 2 5/8" at top
Finish	Bronze, Black, Custom Colours
Bolt Circle Diameter	7.48"
Tenon	2-3/8" tenon welded on top
Anchor Bolts	Included
Base Cover	Included
Bolt Template	Included
Hand Hole with Cover	Included
Base Dimensions	9.8" x 9.8"
Wall Thickness	Top: 5.00 mm Middle: 3.00 mm Bottom: 6.00 mm

ANCHOR BOLTS

Total Height	23.62 in
Bent Arm Length	3.94 in
Total Threaded Length	5.91 in
Diameter	0.7"
Thread Size	M18 x 2.5
Material	Steel

HAND HOLE

Dimensions	3" x 5"
Ground Lug	Included inside hand hole

DESCRIPTION

The aluminum tapered pole is a commercial grade, decorative pole with a 2-3/8" diameter tenon. The pole comes complete with anchor bolts, base cover, bolt template, hand hole with cover and ground lug.

RECOMMENDED FOR USE WITH:



RAL-LED

ORBITA-LED

ALI-LED
(Slipfitter)SKYLINE-LED
(Post Top Mount)

GAMMA-LED

FL5A-LED
FL6A-LED
(Slipfitter)

COACHMAN-LED

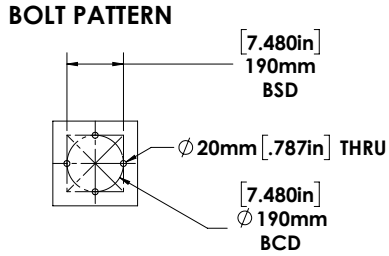
Please note that suggested fixture combinations are based on single fixture per pole.
Consult factory to ensure the fixtures being used do not exceed the structural limits of the pole.

Approved to CSA standards.



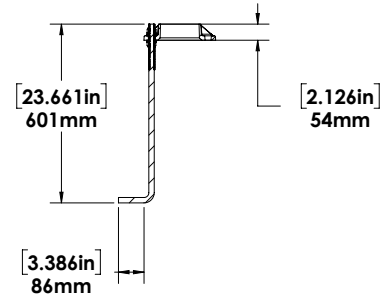
DIMENSIONS

BOLT PATTERN

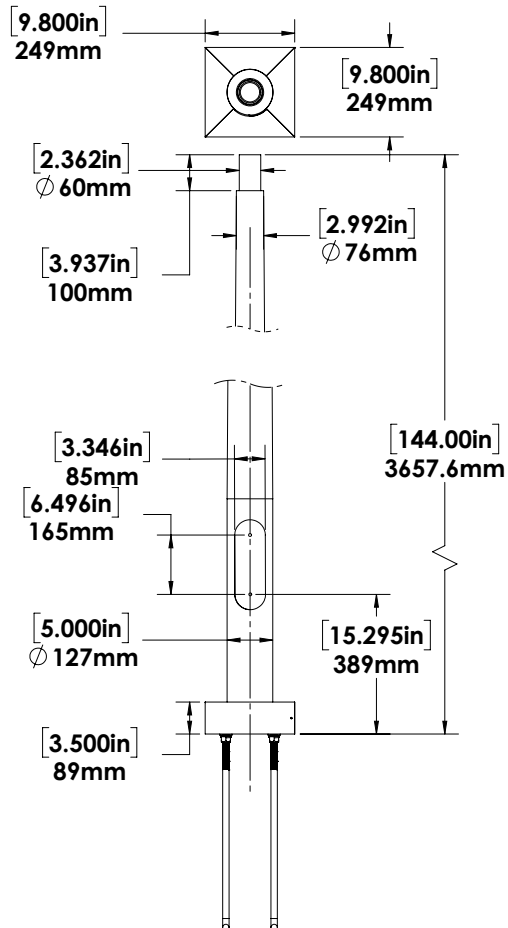


ANCHOR BOLTS

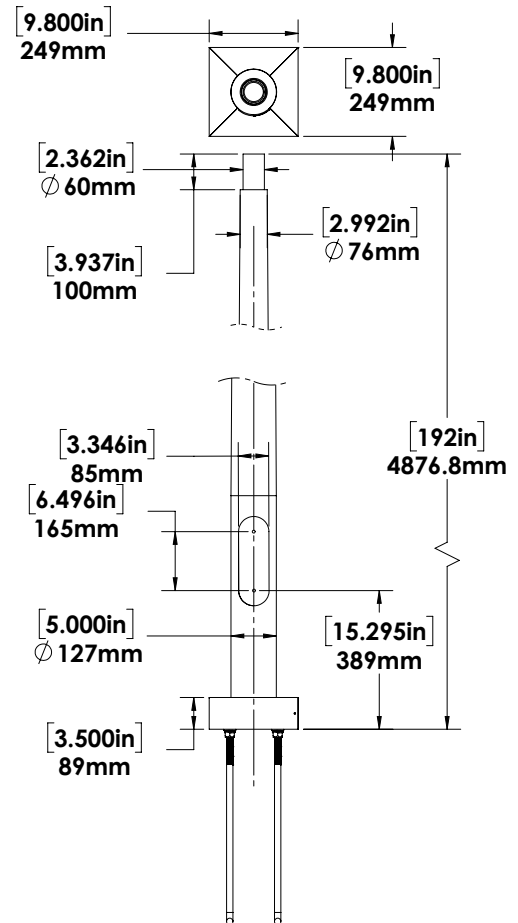
DETAILED VIEW FOR ANCHOR BOLTS



12 FT POLE



16 FT POLE



EPA RATINGS

<p>MAXIMUM LOAD AT</p> <p>70 MPH</p>	<p>MAXIMUM LOAD AT</p> <p>80 MPH</p>	<p>MAXIMUM LOAD AT</p> <p>90 MPH</p>	<p>MAXIMUM LOAD AT</p> <p>100 MPH</p>	<p>MAXIMUM LOAD AT</p> <p>110 MPH</p>
12ft - 9.7	12ft - 6.9	12ft - 5.1	12ft - 3.8	12ft - 3.0
16ft - 5.0	16ft - 5.0	16ft - 3.3	16ft - 2.2	16ft - 1.0

ORDERING GUIDE

ATR

LENGTH	FINISH
12'	BRZ - BRONZE*
16'	BLK - BLACK*
	CC - CUSTOM

*Standard Configuration.

Custom Lengths Available