

# GFI-H COVER

## ☐ RECTANGULAR COVERS



### INCLUDES:

 x 1 gasket

 screws

### CONSTRUCTION

- Die cast aluminum 1 Gang GFI horizontal cover.
- Durable silver grey powder coat paint finish.

### FEATURES

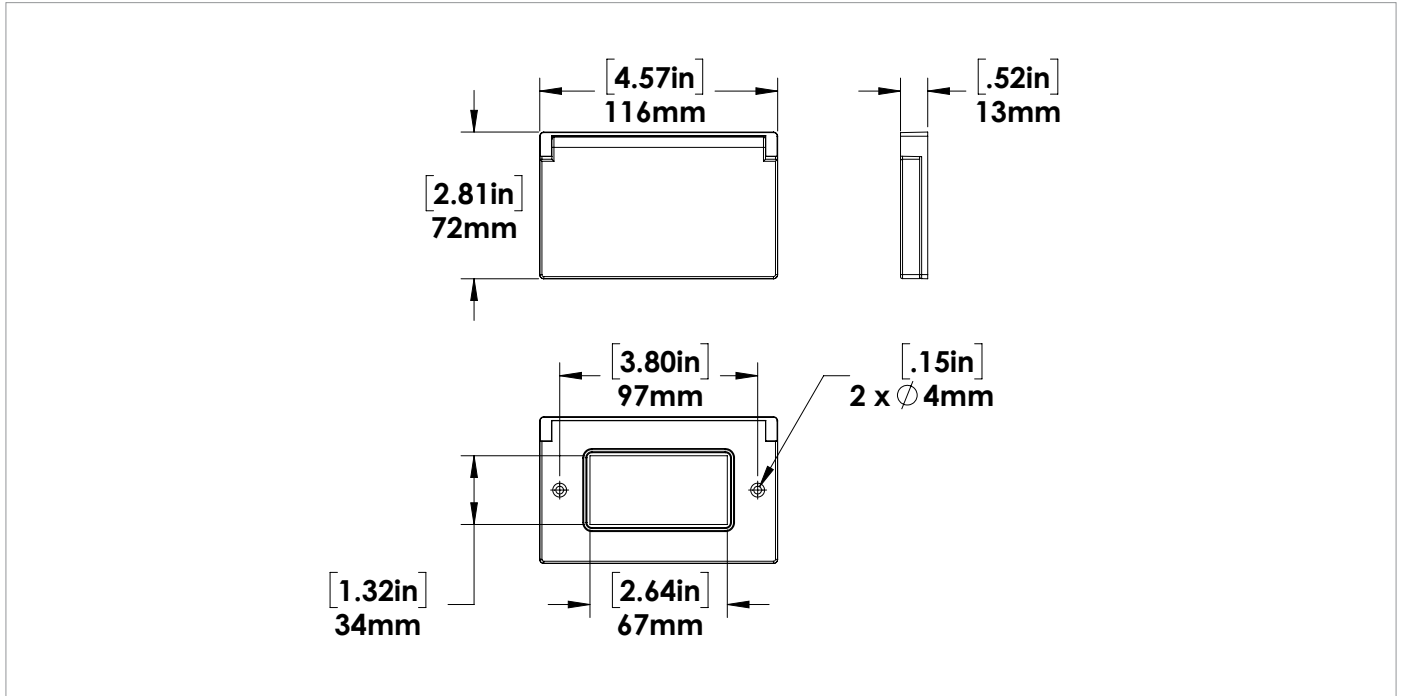
- Cover has spring loaded lids and comes with weather seal gasket and screws.

### CERTIFICATION:





## DIMENSIONS



## ORDER INFO

**STOCK CODE / DESCRIPTION**

008662 GFI-H - GREY HORIZONTAL COVER & LID - 1 GANG