

DXR-2 EXTENSION BOX

☐ RECTANGULAR COVERS



INCLUDES:

 x 1 gasket

 x 4 mounting screws

CONSTRUCTION

- 1" deep cast aluminum extension box for 2 gang rectangular boxes.
- Durable silver grey powder coat paint finish.

FEATURES

- Product includes extension box, gasket and mounting screws

APPLICATION:

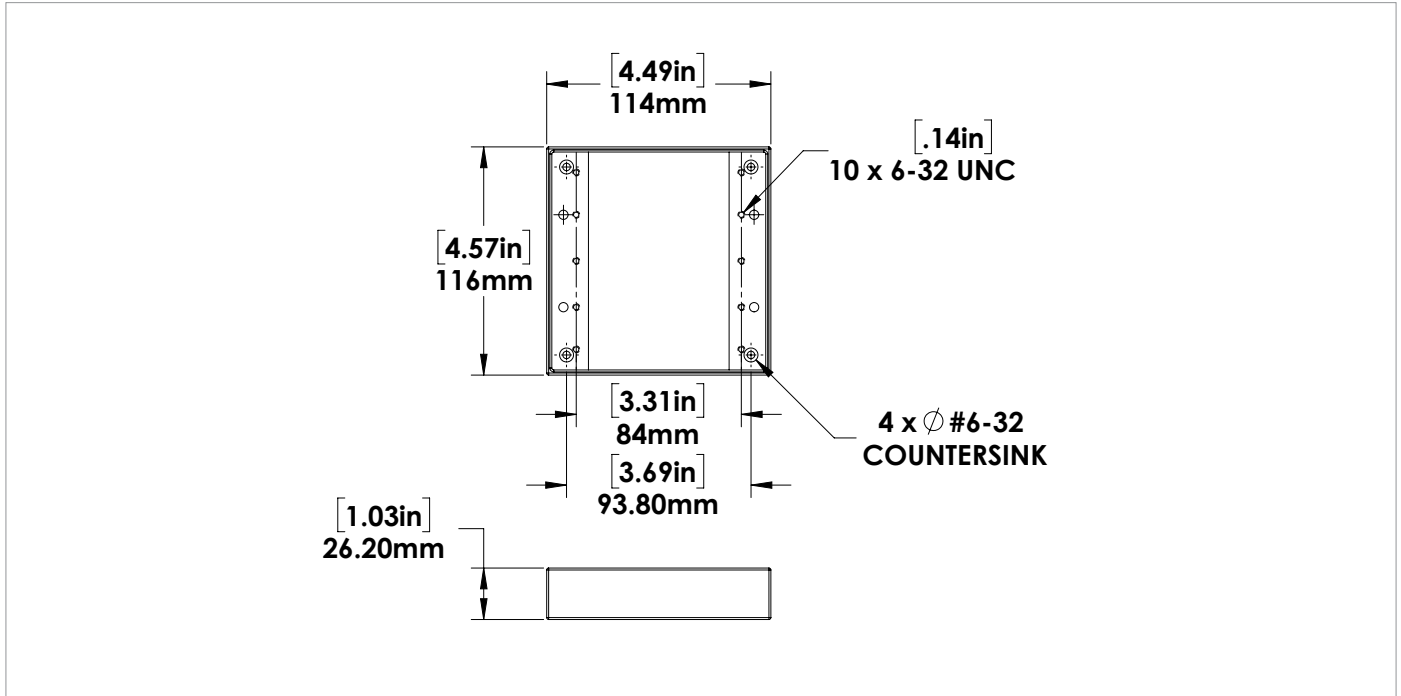
 Ideal for industrial or commercial use

CERTIFICATION:





DIMENSIONS



ORDER INFO

STOCK CODE / DESCRIPTION

095792 DXR-2 - GREY EXTENSION BOX - 2 GANG