

# DXR-1 EXTENSION BOX

## ☐ RECTANGULAR COVERS



### INCLUDES:

 x 1 gasket x 2 mounting screws

### CONSTRUCTION

- 1" deep cast aluminum extension box for 1 gang rectangular boxes.
- Durable silver grey powder coat paint finish.

### FEATURES

- Product includes extension box, gasket and mounting screws

### APPLICATION:

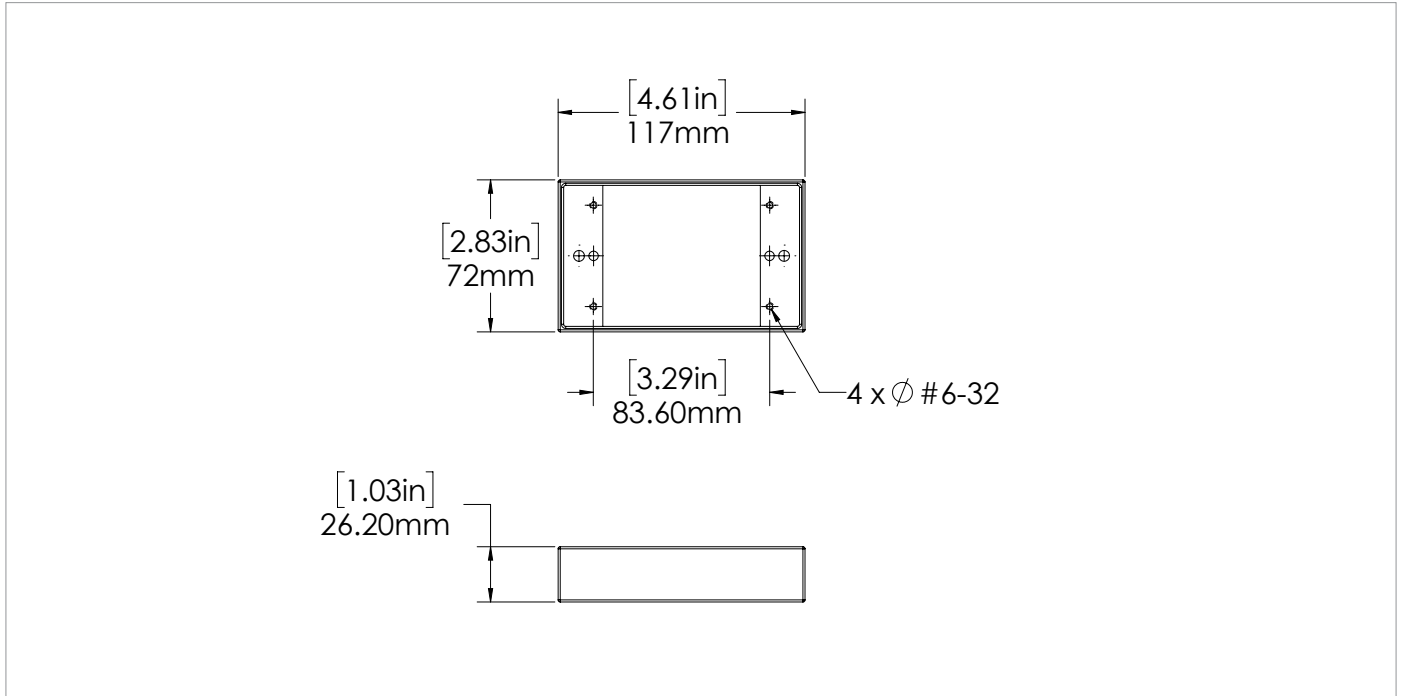
 Ideal for industrial or commercial use

### CERTIFICATION:





## DIMENSIONS



## ORDER INFO

**STOCK CODE / DESCRIPTION**

095791 DXR-1 - GREY EXTENSION BOX - 1 GANG