

# C100 – ZINC COVER

🌀 ROUND COVER



## INCLUDES:

🌀 x 1 cork gasket

## CONSTRUCTION

- Die cast zinc cover with one 1/2" opening.
- Raw zinc finish is standard.

## FEATURES

- Package includes cover and a cork gasket.

## ALSO AVAILABLE IN:

 White

 Black

 Bronze

 Custom Colours

## APPLICATION:

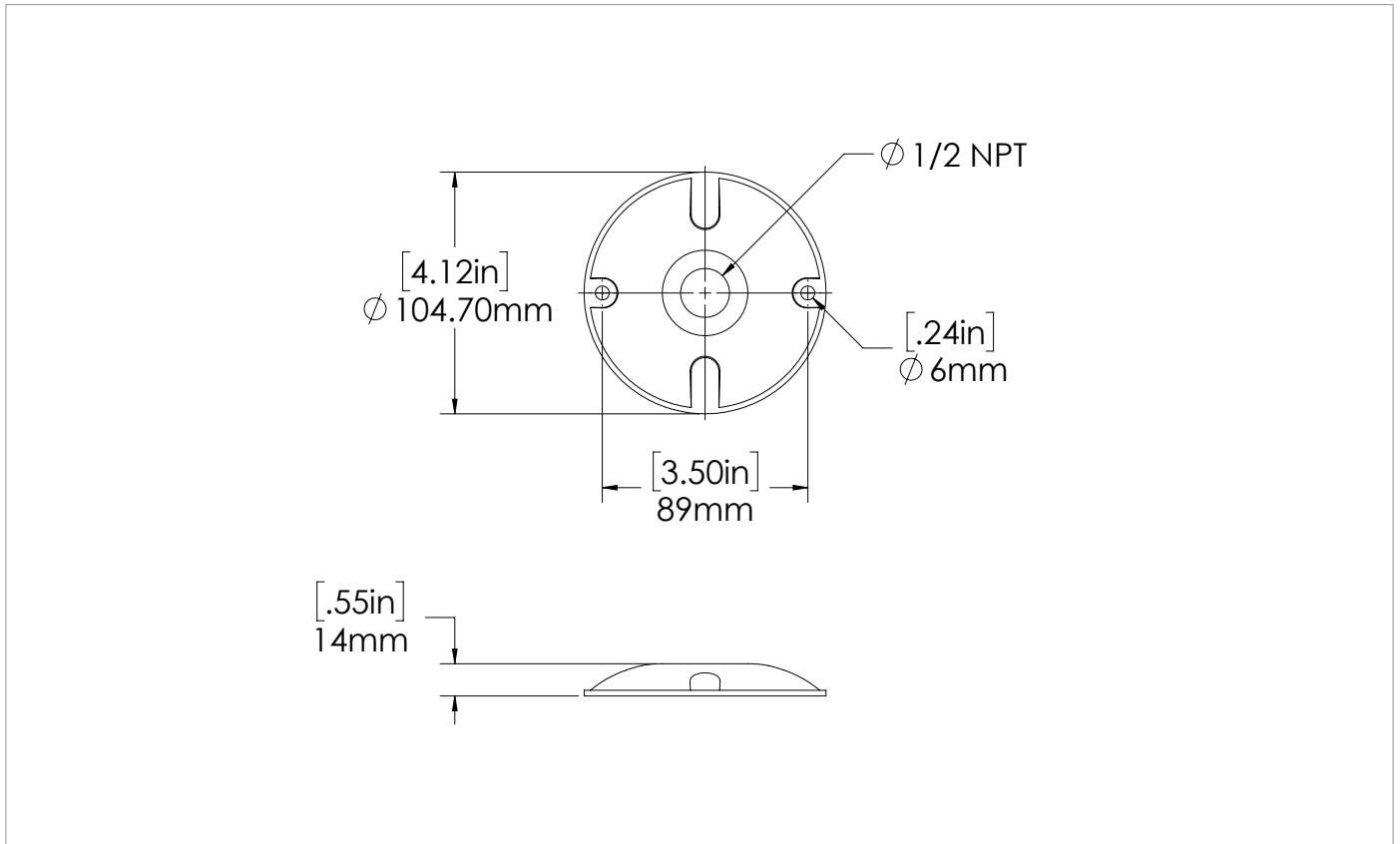
 Ideal for industrial or commercial use

 Weather resistant

## CERTIFICATION:



## DIMENSIONS



## ORDER INFO

### STOCK CODE / DESCRIPTION

008626 C100 - ZINC COVER - 1 X 1/2" ENTRY

008627 C100 - BLACK COVER - 1 X 1/2" ENTRY

008629 C100 - BRONZE COVER - 1 X 1/2" ENTRY

008630 C100 - WHITE COVER - 1 X 1/2" ENTRY