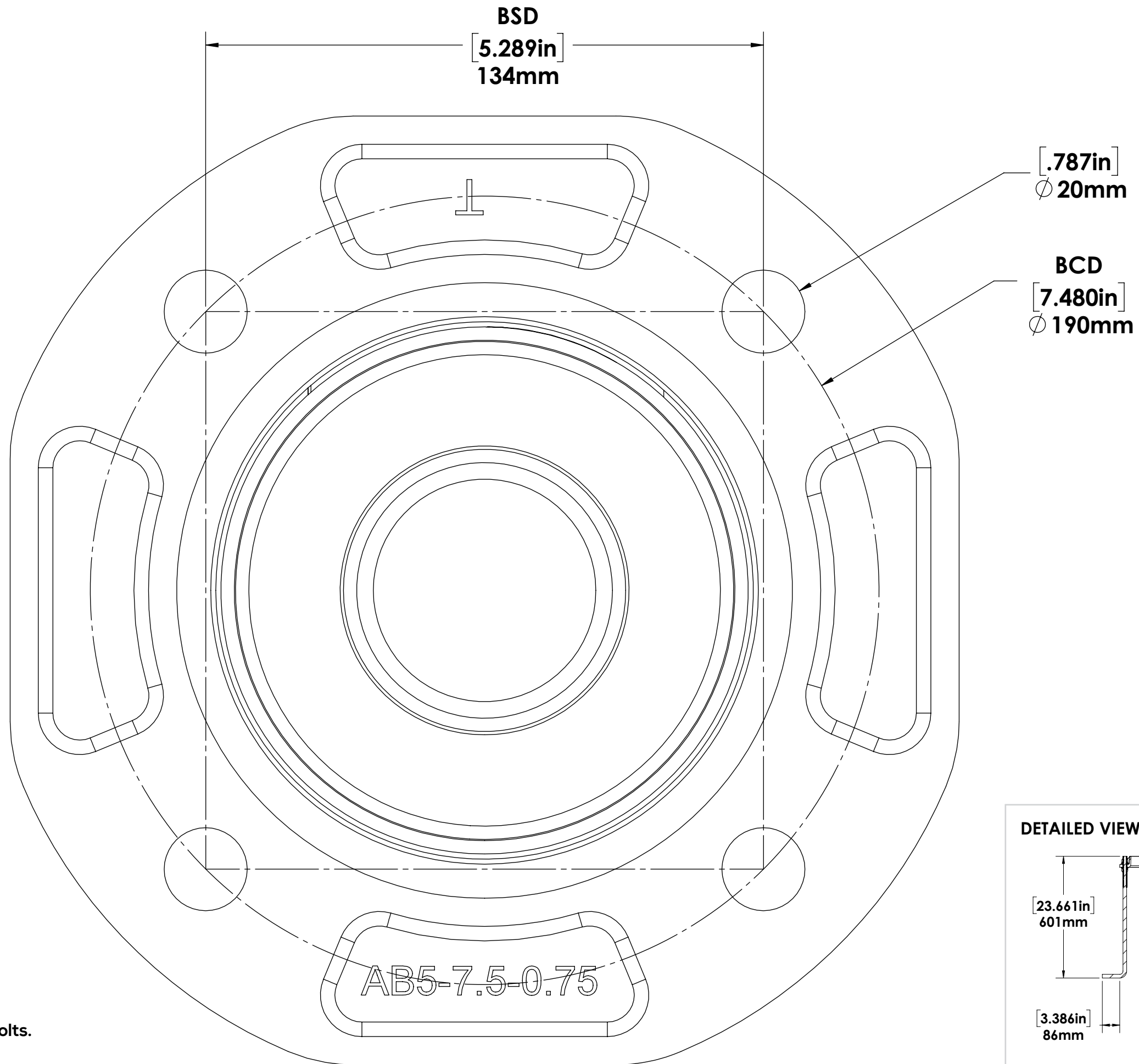




BOLT TEMPLATE PATTERN FOR:

ATR
Aluminum Tapered
Round Pole



WARNING:

Template must be printed on
11" x 17" sheet for actual size.
CHECK SCALE BEFORE USING.
Templates shipped with anchor bolts.

DETAILED VIEW FOR ANCHOR BOLTS

