



EX12 - FOR HAZARDOUS LOCATIONS

The EX12 is an incandescent fixture for hazardous locations. Suitable for use in chemical plants, refineries and other hazardous applications where vapours and dusts are present.

HOUSING Die cast aluminum housing with a natural aluminum finish.

WIRING COMPARTMENT Die cast aluminum with 5 entries available in 1/2" and 3/4" conduit entries. Each unit comes with 3 close out plugs.

SOCKET Medium base glazed socket with nickle plated screw shell.

GLOBE Heat and impact resistant clear prismatic glass globe.

FINISH Natural aluminum finish.

ACCESSORIES Die cast aluminum guard, aluminum reflector, 30 degree aluminum reflector. Aluminum reflectors has a white reflective powder coat paint finish.

MOUNTING Ceiling mounted.



APPROVALS

- CLASS I - Groups C & D, Divisions 1 & 2
(300 watt PS-25 max)
 - CLASS II - Groups E, F & G, Divisions 1 & 2
(200 watt max)
 - CLASS III - (150 watt max)
- Listed for use in paint spray areas
(75 watt max)

CERTIFICATION

Complies with CSA for stated classes and groups.

CSA Listed



Catalog Code

1/2, 3/4

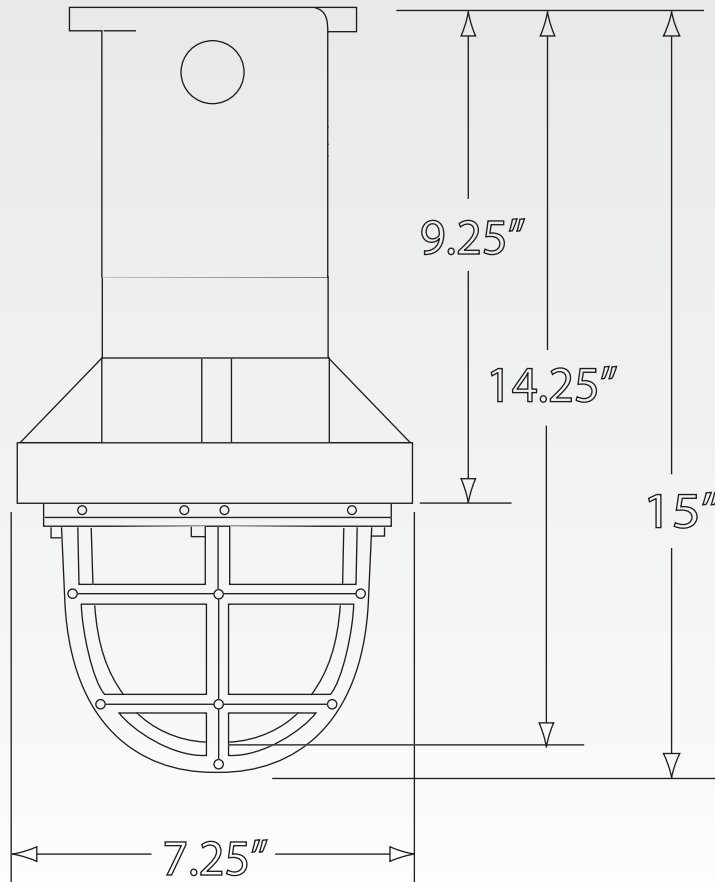
CONDUIT ENTRY SIZE

MODEL

ACCESSORIES

GD/EP4 - CAST GUARD*
ERST200 - 16" STANDARD
REFLECTOR*
ERA200 - 30° ANGLED DOME*

*ACCESSORIES ARE ORDERED AND SHIPPED SEPARATELY



0511

www.rabdesign.ca