



EP12 - FOR HAZARDOUS LOCATIONS

The EP12 is an incandescent fixture for hazardous locations. Suitable for use in chemical plants, refineries and other hazardous applications where vapours and dusts are present.

HOUSING Die cast aluminum housing with a natural aluminum finish.

HUB Die cast aluminum, available in 1/2" and 3/4" conduit entries.

SOCKET Medium base glazed socket with nickle plated screw shell.

GLOBE Heat and impact resistant clear prismatic glass globe.

FINISH Natural aluminum finish.

ACCESSORIES Die cast aluminum guard, aluminum reflector, 30 degree aluminum reflector. Aluminum reflectors have a white reflective powder coat paint finish.

MOUNTING Pendant mounted, drop rod by others.



APPROVALS

- CLASS I - Groups C & D, Divisions 1 & 2
(300 watt PS-25 max)
 - CLASS II - Groups E, F & G, Divisions 1 & 2
(200 watt max)
 - CLASS III - (150 watt max)
- Listed for use in paint spray areas
(75 watt max)

CERTIFICATION

Complies with CSA for stated classes and groups.

CSA Listed



Catalog Code

1/2, 3/4

CONDUIT ENTRY SIZE

MODEL

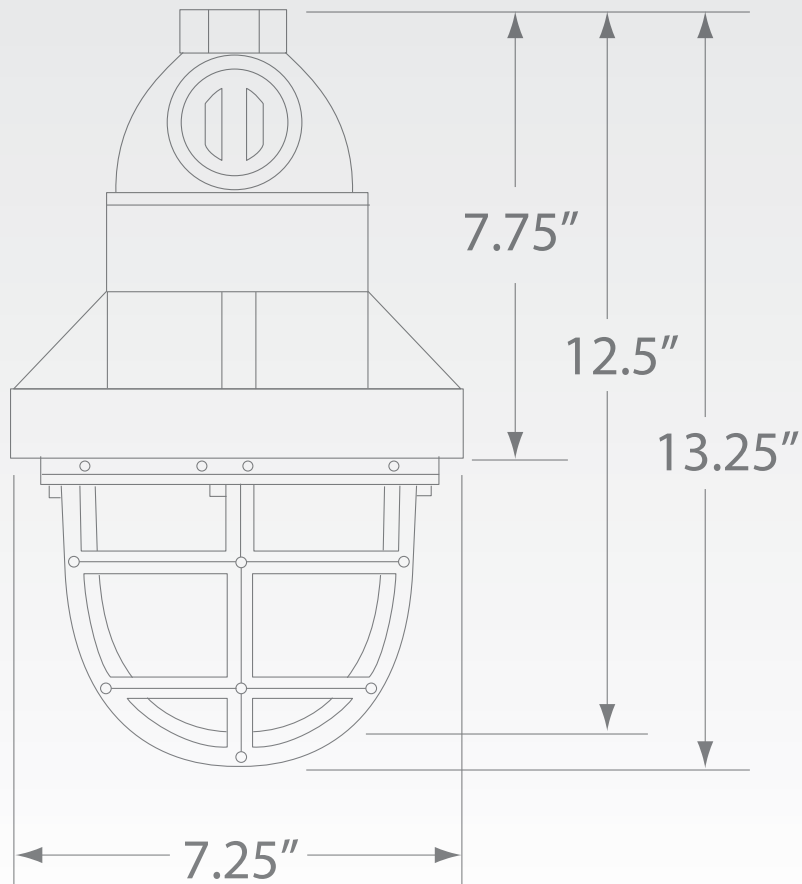
ACCESSORIES

GD/EP4 - CAST GUARD*
ERST200 - 16" STANDARD
REFLECTOR*
ERA200 - 30° ANGLED DOME*

*ACCESSORIES ARE ORDERED AND SHIPPED SEPARATELY

RAB[®]

DESIGN



0511

www.rabdesign.ca