

RAB

DESIGN

BLV520-SAT

The BLV520-SAT series is a traditional acorn style fixture for use in parks, along walkways, roadways or areas where a distinctive nostalgic look is prevalent. The reflector is available in acrylic or polycarbonate for use in areas where breakage is a concern.

GLOBE

The standard BLV520-SAT comes with a polycarbonate globe with a type III or V distribution. Acrylic is also available. There are also optional internal reflectors available. A perforated light reflector and a solid light reflector. All globes are attached to the fitter using a 1/4 turn retainer ring made of cast aluminum.

FITTER

The fitter is made of cast aluminum which is available to fit a 3" tenon or a 4" round pole.

BALLAST/SOCKET ASSEMBLY

The ballast and socket assembly comes with a quick disconnect. All ballasts are high power factor and are available as a Tri-Tap 120-277-347 and 120-208-240 CWI. Wattages are available as follows 70,100,150 High Pressure Sodium and 70,100,150,175 Metal Halide.

SOCKET

Mogul or medium base 4KV pulse-rated socket with a nickel-plated screw shell and a spring-loaded centre contact.



FINISH

Polyester powder coat finish. Standard colours are white, black, bronze and green. Custom colours are available upon request.

MOUNTING OPTIONS

The BLV520-SAT series can be post top mounted or wall mounted with a decorative arm.



Catalog Code

BLV520-SAT

70HPS 100HPS 150HPS
70MH 100MH 150MH 175MH

LAMP

120 277 347
208CWI 240CWI

VOLTAGE

R3 AC - TYPE III ACRYLIC
R5 AC - TYPE V ACRYLIC
R3 PC - TYPE III POLYCARBONATE
R5 PC - TYPE V POLYCARBONATE

LENS

LL - PERFORATED REFLECTOR
RD - SOLID REFLECTOR

LIGHT CONTROL

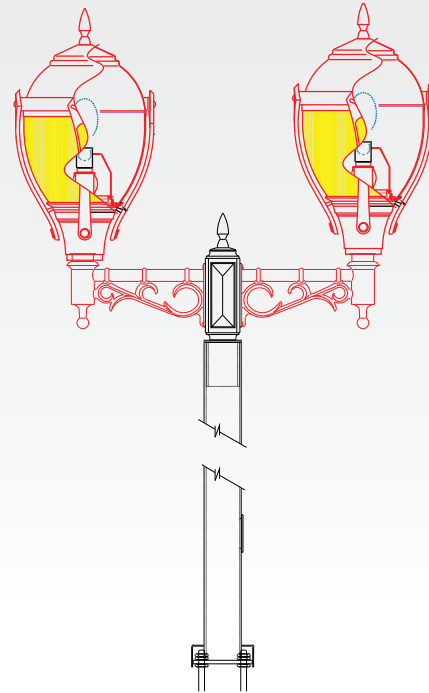
WH - WHITE BLK - BLACK
BRZ - BRONZE GRN - GREEN
CC - CUSTOM COLOUR

FINISH

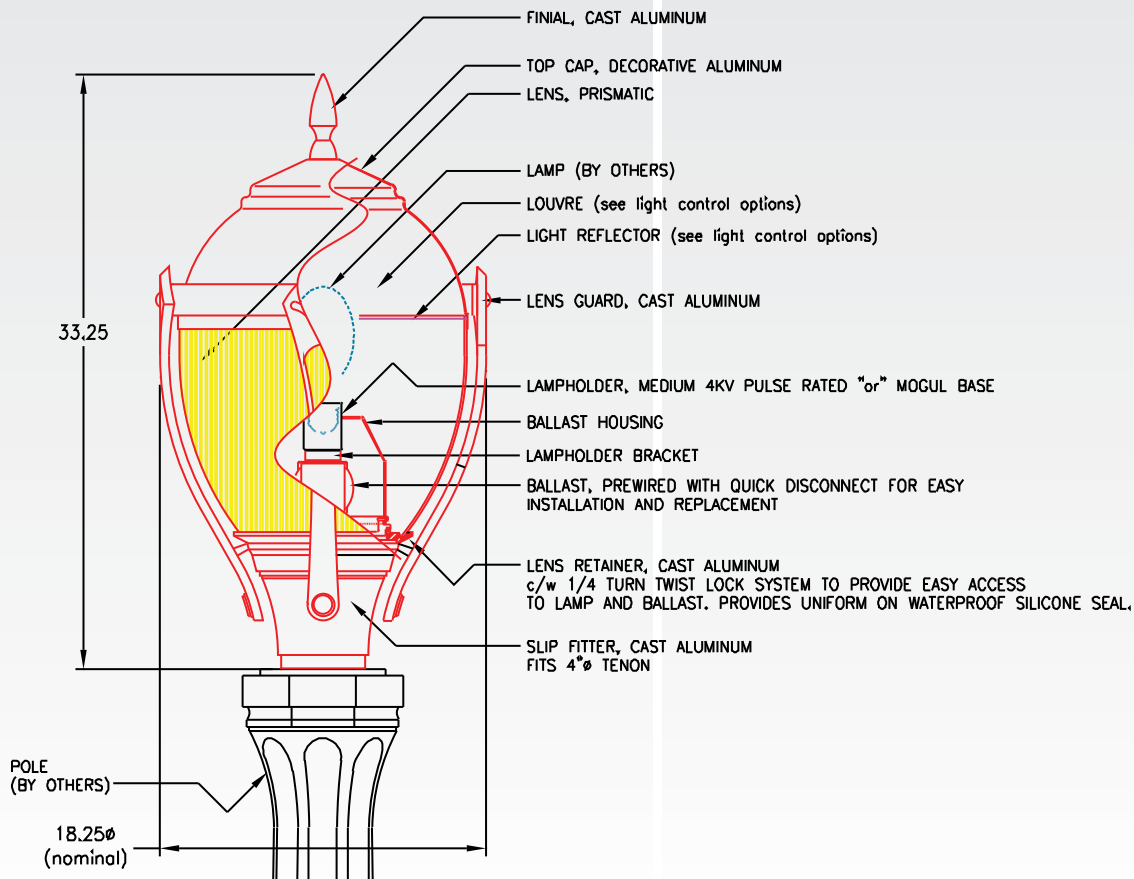
PC - PHOTOCELL

OPTIONS

RAB DESIGN



Dimensions



www.rabdesign.ca