



# SFL1-LED500

## Sports Flood and Highbay Luminaire



Slip Fit

Yoke

Highbay Yoke

**PURCHASE MOUNT SEPARATELY**



### IDEAL APPLICATIONS

- ✓ Stadiums and Arenas
- ✓ Construction Sites
- ✓ Hangars
- ✓ Large Distribution Centers
- ✓ Rail, Work and Shipping Yards
- ✓ Bridges, Monuments and Facades

### DESCRIPTION:

The SFL-LED fixture is a versatile, high performance sports flood light designed for recreational and collegiate outdoor fields. It can also be used as a highbay fixture for high ceiling applications such as air plane hangers and large warehouses and distribution centers.

### FEATURES:

#### Construction

- Ruggedly designed with die cast aluminum housing and clear polycarbonate lens.
- Intelligently designed heat sink to facilitate maximum air flow.
- Fixture is lightweight compared to most sports floods and has angle increments calibrated on the housing, standard yoke mount and slip fit mount for precise aiming.

#### Electrical

- Standard unit comes with 120-347V driver with 6kV internal surge suppressor and 10kV external surge suppressor.

#### Light Performance

- Standard unit comes with a dedicated CCT of 4000K or 5000K.
- Fixture is available in 30° (4x4), 40° (5x5), 80° (6x6) beam distributions for Sports flood applications. Available with 80° beam for highbay applications.

#### Mounting

- 3 mounting options available - Yoke, slip fit and highbay yoke. Purchase mounting option separately. Mounting option is field installed.

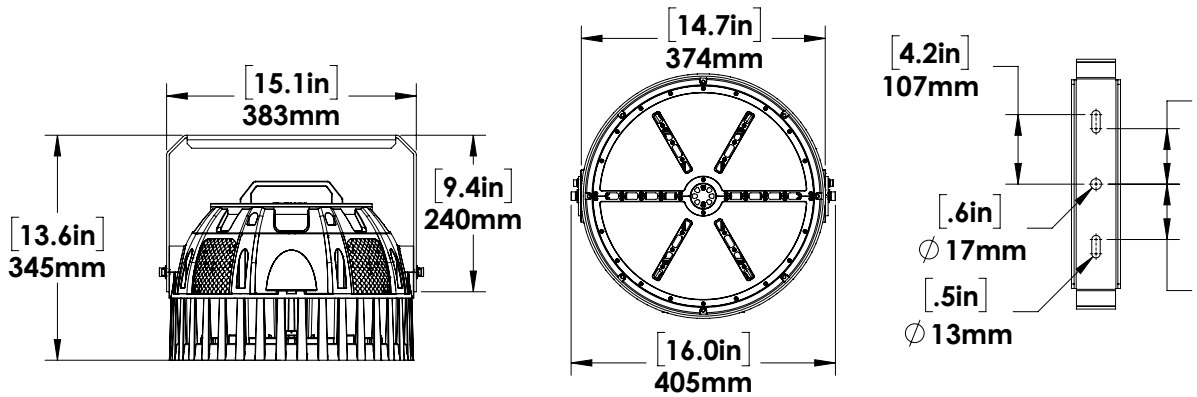
### SPECIFICATIONS

### SFL1-LED500

Watts	485.6W
Lumens	71040 Lm
Efficacy	146.3 Lm/W
Voltage	120-347V
Colour Temp	4000K, 5000K
Replaces	750W MH
CRI	70
Dimming	0-10V Dim to Off (0-100%)
Surge Protection	6 KV Internal (with driver), 10 KV External (added to every fixture) Optional 20kV Surge Protection
THD	15%
PF	0.9
Beam Distribution	30°, 40°, 80°
LED Life (L76)	100,000 Hours
Housing Finish	Matte Black, Custom Colours (optional)
Housing Details	Die Cast Aluminum
Lens Details	Clear Polycarbonate Lens
Mounting	Yoke Mount, Slip Fit, Highbay Yoke Mount
Operating Temp.	-40°C to +45°C
Input Power/ Dimming Cord Length	10 feet (3 metre) cable
Factory Installed Options	7 PIN Receptacle with Shorting Cap ANSI C136. 41-2013 compliant, Photocell Optional 20kV Surge Protection
Options Sold Separately	Yoke Mount, Slip Fit, Highbay Yoke Mount, Visor, Laser Pointer (comes with one rechargeable battery and battery charger)
Certifications	UL, Wet Location, IP66, 3G Vibration Tested & DLC 5.1 Premium

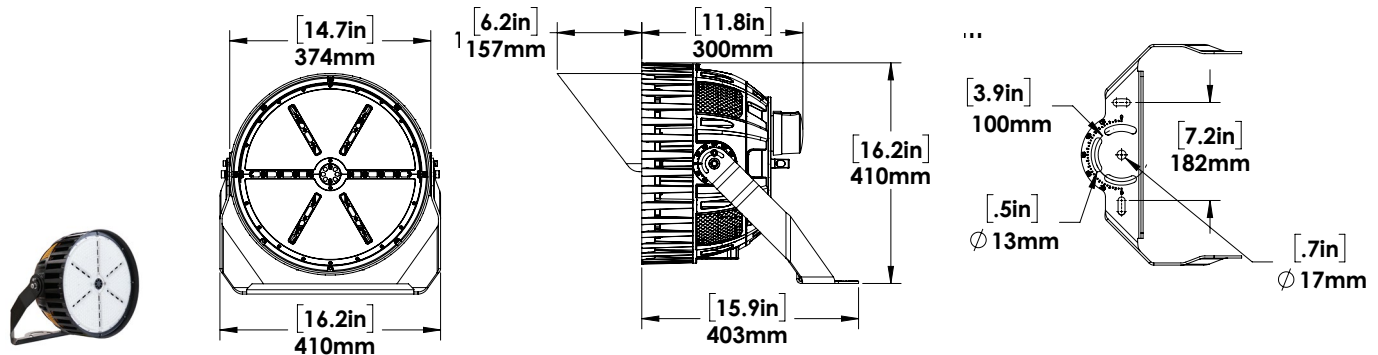


## DIMENSIONS:



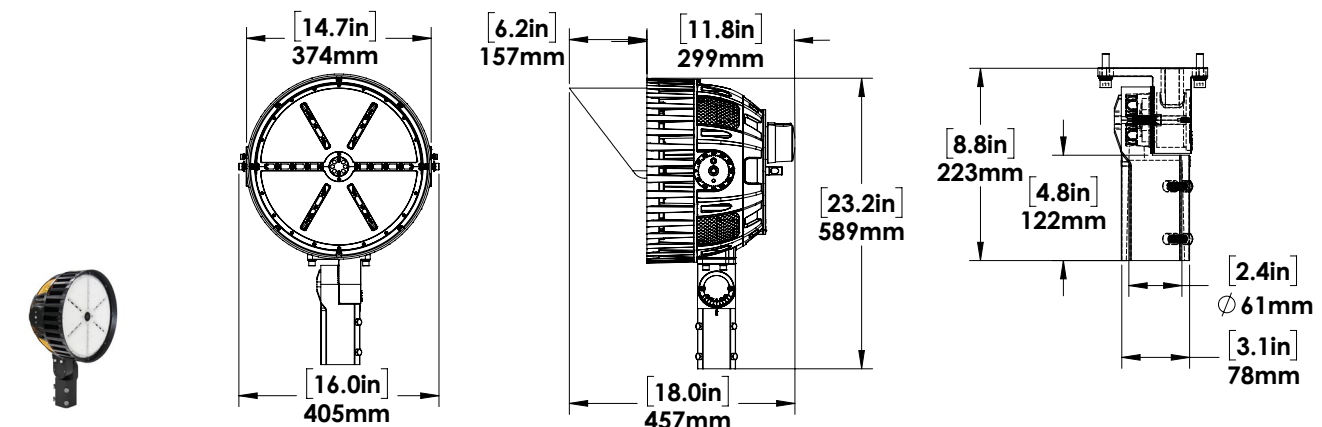
**HIGHBAY YOKE**

Vertical angle marking increment - 7.5°



**YOKE**

Vertical angle marking increment - 7.5°  
Horizontal angle marking increment - 5°



**SLIP FIT**

Vertical angle marking increment - 15°



**VISOR**  
used to reduce glare

**Note:**  
Screws included in package.



**LASER POINTER**  
used to accurately aim the  
fixture to the desired location

Range of the laser pointer: 200 meters.  
It is operated by rechargeable battery.

**Note:**  
Laser pointer package includes one DC  
(rechargeable) battery and battery recharger.

<b>AMPERAGE DRAW &amp; SURGE PROTECTION</b>						
	CURRENT (A)					SURGE PROTECTION
	120V	208V	240V	277V	347V	120-347V
SFL1-LED	4.38A	2.53A	2.19A	1.9A	1.52A	6KV internal and 10KV External

<b>TM-21 ESTIMATED LUMEN MAINTENANCE</b>			
	50,000 Hours*	75,000 Hours	100,000 Hours
SFL1-LED	87.5%	81.7%	76.2%

<b>EPA (ft<sup>2</sup>)</b>		
	0° Tilt	90° Tilt
SFL1-LED With Yoke	1.36	1.84
SFL1-LED With Slipfit	1.42	1.95

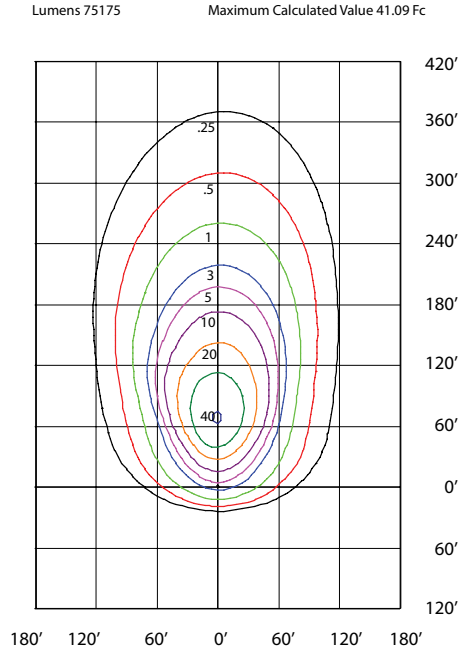
  

<b>WEIGHT (lbs)</b>	
SFL1-LED With Yoke	32.67
SFL1-LED With Slipfit	33.33
SFL1-LED With Highbay Yoke	32.67

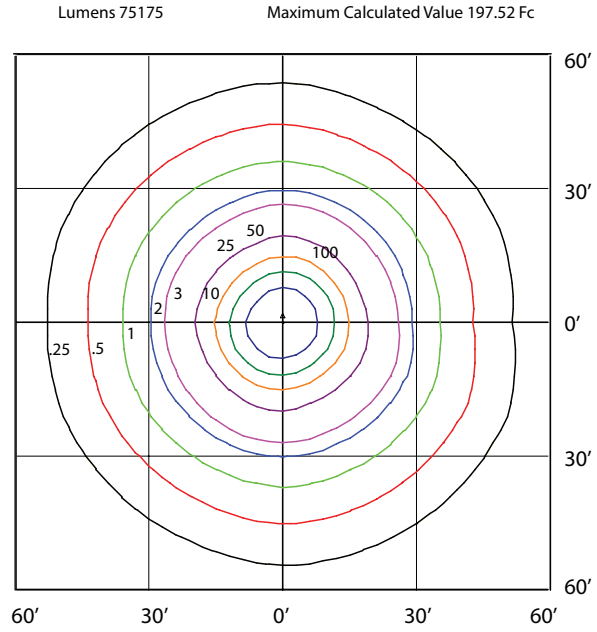
\*Expect LED chips to have 87.5% lumen maintenance

<b>SPECIFICATIONS</b>							
Model Number	Voltage (V)	Power (W)	Light Output (lm)	Efficacy (lm/W)	THD (%)	PF	CCT (K)
SFL1-LED500-H-4K-30DEG-XXX-DIM-[Blank;7PIN;PC]-SP10	120-347	486	70589	145.4	15.0	0.900	4000
SFL1-LED500-H-5K-30DEG-XXX-DIM-[Blank;7PIN;PC]-SP10	120-347	486	71040	146.3	15.0	0.900	5000
SFL1-LED500-H-4K-40DEG-XXX-DIM-[Blank;7PIN;PC]-SP10	120-347	486	71388	146.8	15.0	0.900	4000
SFL1-LED500-H-5K-40DEG-XXX-DIM-[Blank;7PIN;PC]-SP10	120-347	486	72003	148.2	15.0	0.900	5000
SFL1-LED500-H-4K-80DEG-XXX-DIM-[Blank;7PIN;PC]-SP10	120-347	486	70867	146.0	15.0	0.900	4000
SFL1-LED500-H-5K-80DEG-XXX-DIM-[Blank;7PIN;PC]-SP10	120-347	486	71387	147.0	15.0	0.900	5000

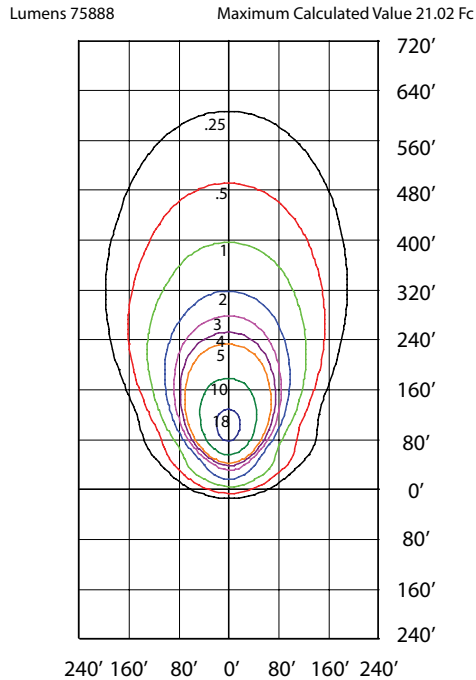
SFL1-LED500-H-4K-30DEG-BLK-DIM  
MOUNTED AT 30 FEET 60 DEGREE TILT



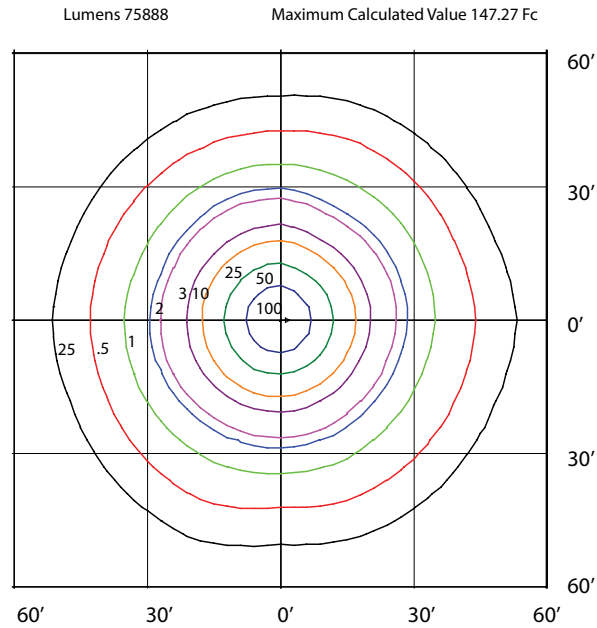
SFL1-LED500-H-4K-30DEG-BLK-DIM  
MOUNTED AT 30 FEET



SFL1-LED500-H-4K-40DEG-BLK-DIM  
MOUNTED AT 30 FEET 70 DEGREE TILT

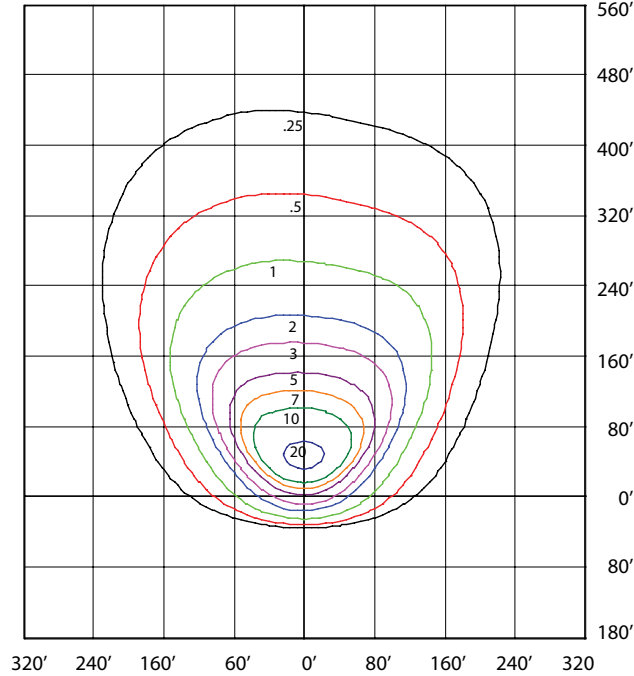


SFL1-LED500-H-4K-40DEG-BLK-DIM  
MOUNTED AT 30 FEET



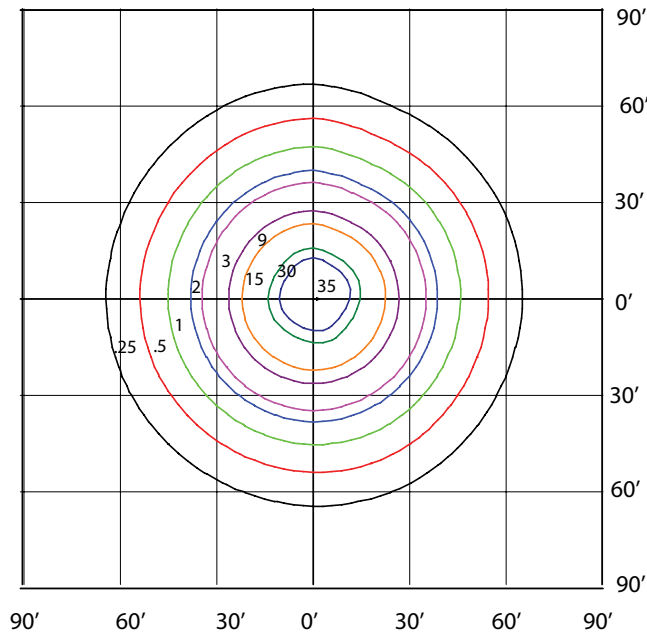
SFL1-LED500-H-4K-80DEG-BLK-DIM  
MOUNTED AT 30 FEET 60 DEGREE TILT

Lumens 71160 Maximum Calculated Value 23.87 Fc



SFL1-LED500-H-4K-80DEG-BLK-DIM  
MOUNTED AT 30 FEET

Lumens 71160 Maximum Calculated Value 141.59 Fc



## ORDERING GUIDE:

SFL1		LED500				DIM		
Fixture	Wattage	Voltage	Colour Temp.	Optics	Finish	Dimming	Options	Surge Protection
	LED500	H - 120-347V	4K - 4000K 5K - 5000K*	30DEG - 30 Degrees 40DEG - 40 Degrees 80DEG - 80 Degrees  (Recommended option for highbay applications is 80DEG)	BLK - Matte Black* CC - Custom Colours	DIM - 0-10V Dimming	BLANK 7PIN - 7 PIN Receptacle for Smart Controls PC - Photocell**	SP10 - 10kV Surge Protection* SP20 - 20kV Surge Protection***

\* Standard Configuration

\*\*Note: When ordering photocell, fill "B" in the voltage field if input voltage is 120-277V or "C" instead of H when input voltage is 347V

\*\*\* Note : When ordering SP20 fill in "B" in the voltage field. SP20 is only available for 120-277V

STOCK CODE	DESCRIPTION
093537	SFL1-LED500-H-4K-30DEG-BLK-DIM-SP10
093691	SFL1-LED500-H-4K-40DEG-BLK-DIM-SP10
093693	SFL1-LED500-H-4K-80DEG-BLK-DIM-SP10
093690	SFL1-LED500-H-5K-30DEG-BLK-DIM-SP10
093692	SFL1-LED500-H-5K-40DEG-BLK-DIM-SP10
093698	SFL1-LED500-H-5K-80DEG-BLK-DIM-SP10

## ORDERING GUIDE FOR ACCESSORIES

### Options Sold Separately

Check the items that you wish to order:

- 002483 - SFL1-SLIP FIT BLK
- 002488 - SFL1-SPORT FLOOD LIGHT YOKE BLK
- 002486 - SFL1- HIGHBAY YOKE BLK
- 002491 - SFL1-VISOR BLK
- 002494 - SFL1/SFL2-LASER POINTER