



REVOLVE LED Disc Light



Illuminate your space with the sleek and modern REVOLVE. Designed to blend seamlessly with any decor, its thin profile ensures a sophisticated, unobtrusive look. Enjoy a hassle-free installation with surface mounting and easy colour temperature selection allowing customizable lighting to suit any mood or task. With energy-efficient LED technology and an integrated motion sensor, REVOLVE provides bright, long-lasting illumination, perfect for commercial and residential applications.

IDEAL APPLICATIONS

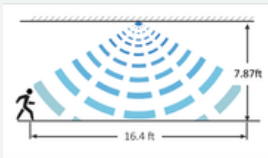
- ✓ Residential
- ✓ Schools
- ✓ Retail Stores
- ✓ Cabinets and Closets
- ✓ Hospitals
- ✓ Offices

SPECIFICATIONS

	REV4-LED12-A-VK-WHT-TRIAC	REV4-LED12-A-VK-WHT-SMS
PERFORMANCE		
Light Output	900lm	
Efficacy	75lm/W	
CCT	CCT Selectable - 2700K/3000K/3500K/4000K/5000K	
Beam Distribution	110°	
Replaces Up To	18W CFL	
CRI	80	
ELECTRICAL		
Wattage	12W	
Voltage	120V	
Surge Protection	2.5kV (Built-in Driver)	
Power Factor	>0.9	
THD	<15%	
Cord	6" Wire Leads	
CONTROLS		
Dimming	TRIAC Dimming	None
Motion Sensor	None	PIR Motion Sensor

	REV4-LED12-A-VK-WHT-TRIAC	REV4-LED12-A-VK-WHT-SMS
CONSTRUCTION		
Housing	Steel	
Lens	Frosted Polycarbonate	
Weight	Fixture: 0.33 lbs	
AMBIENT OPERATING TEMPERATURE		
Fixture	-30 °C to 50 °C (-22 °F to 122 °F)	
MOUNTING		
Surface Mount		
Recess Can Retrofit Mount (For 4" Recess Can)		
CERTIFICATIONS		
ETL Listed for Canada & USA, per UL 1598 & CSA C22.2#250.0 Ed.5		
Damp Location		
LUMEN MAINTENANCE		
L90	L80	L70
63,500 Hrs	134,000 Hrs	214,000 Hrs
MAX AMPERAGE DRAW		
120V		
0.11A		

Note: Life hours are derived from IESNA LM-80 testing report and projected per IESNA TM-21 calculations.

SENSOR SPECIFICATION	
Maximum Mounting Height/Range	
Maximum Detection Angle	360°
Hold Time	3min





ORDERING GUIDE

REV4	LED12	A	VK	WHT		
Fixture	Wattage	Voltage	Colour Temp.	Finish	Dimming	Motion Sensor
REV4	LED12	A - 120V	VK - CCT Selectable - 2700K/3000K/ 3500K/4000K/ 5000K	WHT - White	TRIAC - TRIAC Dimming BLANK - No Dimming	BLANK - No Motion Sensor SMS - PIR Motion Sensor

Note: Default CCT is 2700K

STOCK CODE

083757	REV4-LED12-A-VK-WHT-TRIAC	
083758	REV4-LED12-A-VK-WHT-SMS	

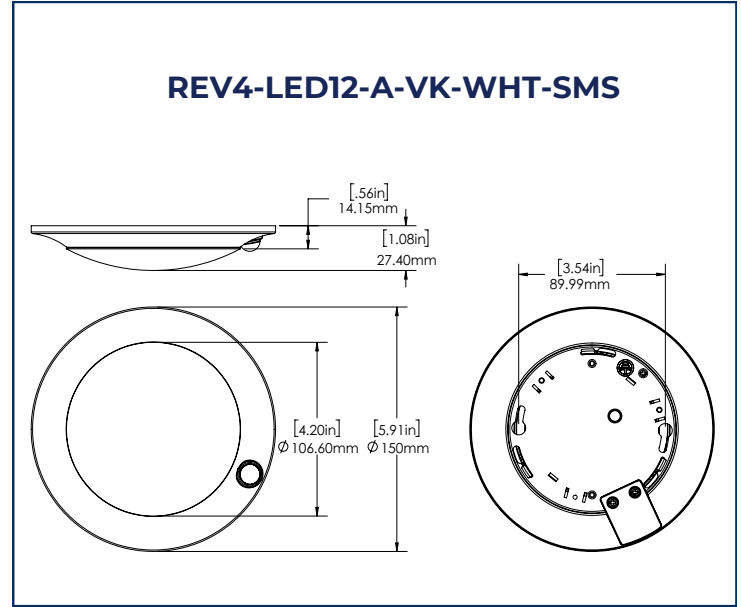
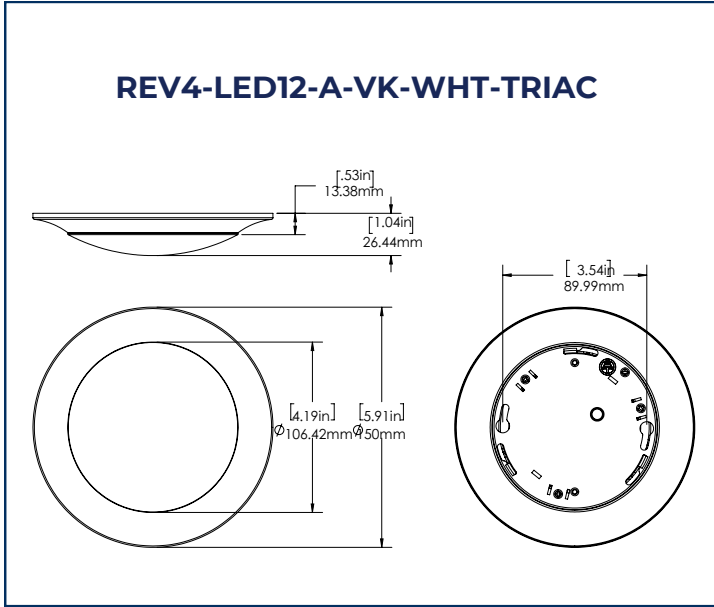
INSTALLATION ACCESSORIES - INCLUDED IN BOX

SURFACE MOUNT INSTALLATION ACCESSORIES	
---	---

ACCESSORIES SOLD SEPARATELY

083761	RECESSED CAN RETROFIT KIT	
---------------	----------------------------------	---

DIMENSIONS



PHOTOMETRIC PLOTS

