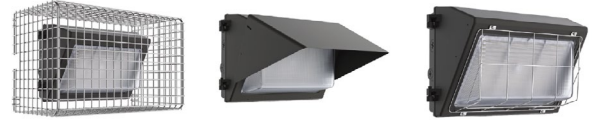




WP-LED Series

LED Wall Pack



IDEAL APPLICATIONS

- ✓ Entrances
- ✓ Schools
- ✓ Perimeter Areas
- ✓ Loading Docks

DESCRIPTION:

A Traditional Wall Pack with the newest lighting technology. Die cast aluminum housing with side hinge and borosilicate glass.

FEATURES:

- LED Wallpack that serves as an ideal replacement for HID wallpacks from 150W - 400W.
- Colour selectable switch inside fixture allows installer to choose between 3000K/4000K/5000K CCT on the field.
- Die cast aluminum housing with borosilicate glass lens.
- Side hinged design allows Installer to use two hands for wiring.
- Photocell, motion sensor, and 10Kv surge protector options available.

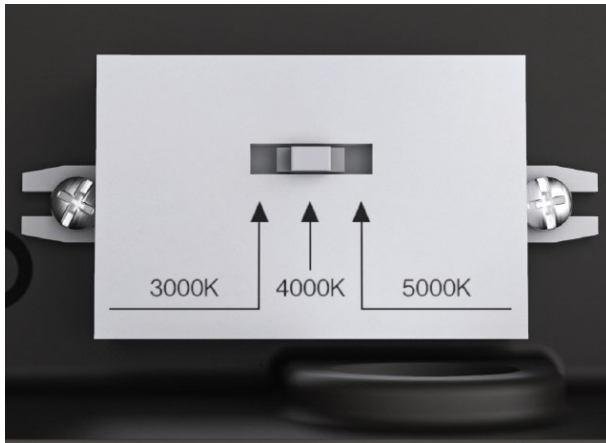
SPECIFICATIONS:	WP-LED40	WP-LED80	WP-LED80A40 ¹	WP-LED120
Watts	41W	78W	Max 80W Min 40W	124W
Voltage	120-277V	120-277V	120-347V	120-347V
Lumens	5,712	10,827	11,072 (at 80W setting)	16,493
Efficacy	140.9	139.7	137.5 (at 80W setting)	136.7
Replaces Up To	175W MH	250W MH	175W MH and 250W MH	400W MH
B-U-G	1-3-4	1-4-5	1-4-5	2-5-5
Colour Temp.	VK - 3000K, 4000K, 5000K Colour Selectable (4000K default setting)			
CRI	>80			
Distribution	Type IV Short			
Operating Temp.	-40° C to +50° C			
Housing Material	Die Cast Aluminum			
Lens Material	Borosilicate Glass			
Finish	Bronze*, Custom Colours			
Factory Installed Options	Photocell, 10kV Surge Protector, Dimming Motion Sensor, On/Off Motion Sensor, Dimming High Frequency Motion Sensor			
Accessories Sold Separately	Visor, Wire Guard, Wire Cage			
THD (%)	15.0			
PF	0.900			

¹Wattage adjustable units with 5 wattage settings.



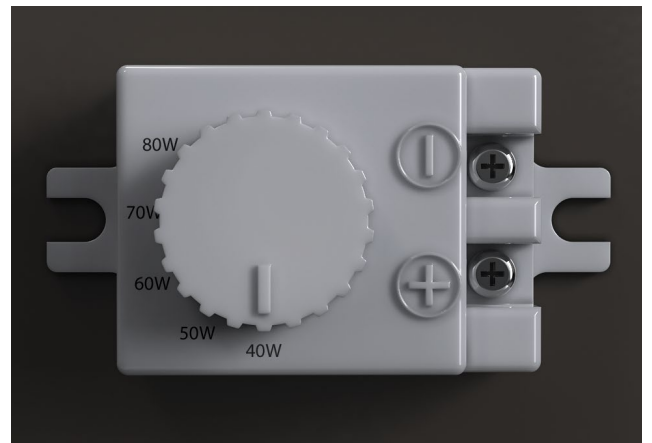
Colour Temperature Selecting Switch Inside:

Choose between 3000K, 4000K or 5000K at the time of installation.



Adjustable Wattage Version Available:

The WP-LED80A40 can be set to 40W, 50W, 60W, 70W or 80W at the time of installation.



WP-LED80A40 - LUMEN SETTING					
Wattage	80W	70W	60W	50W	40W
Lumens	11,000lm	9,600lm	8,200lm	6,800lm	5,500lm

Standard Fixtures	Weight (lbs)
WP-LED40	7.8
WP-LED80	8.4
WP-LED80A40	8.4
WP-LED120	9.2

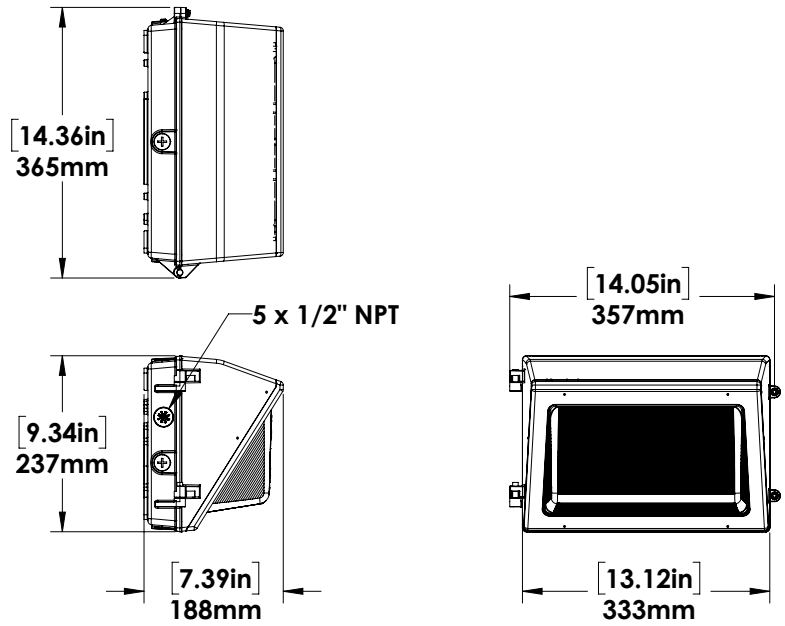
AMPERAGE DRAW & SURGE PROTECTION							
	Current (A)					Surge Protection (kV)	
	120V	208V	240V	277V	347V	120-277V	120-347V
WP-LED40	0.35A	0.21A	0.18A	0.16A		2kV	
WP-LED80	0.7A	0.41A	0.35A	0.31A		4kV	
WP-LED80A40	0.7A	0.41A	0.35A	0.31A	0.25A		4kV
WP-LED120	1.05A	0.61A	0.53A	0.46A	0.37A		6kV

LUMEN MAINTENANCE			
	50,000 Hours	75,000 Hours	100,000 Hours
WP-LED40	90%	86%	81%
WP-LED80	90%	86%	81%
WP-LED80A40	90%	86%	81%
WP-LED120	90%	86%	81%

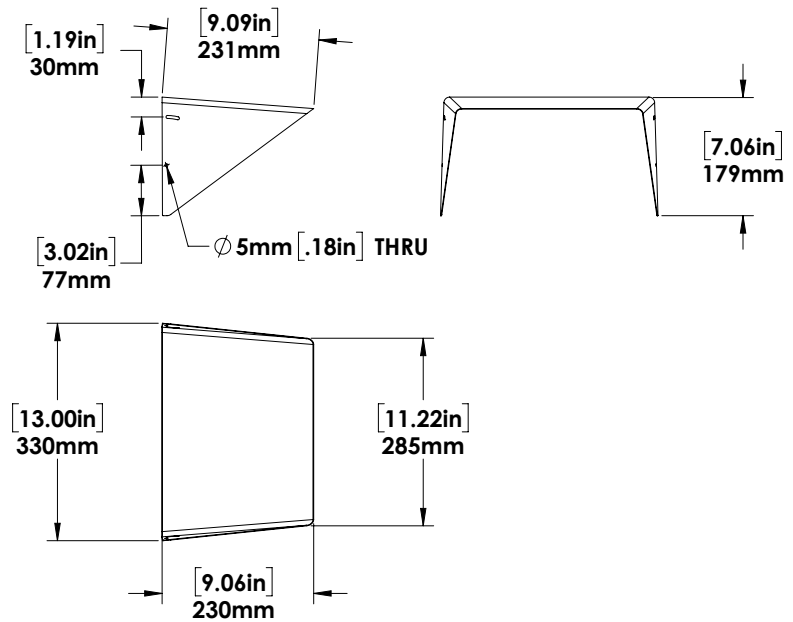
DIMENSIONS:



WP-LED



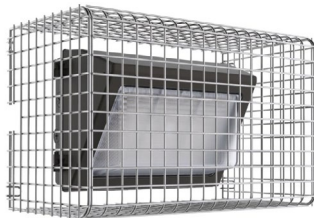
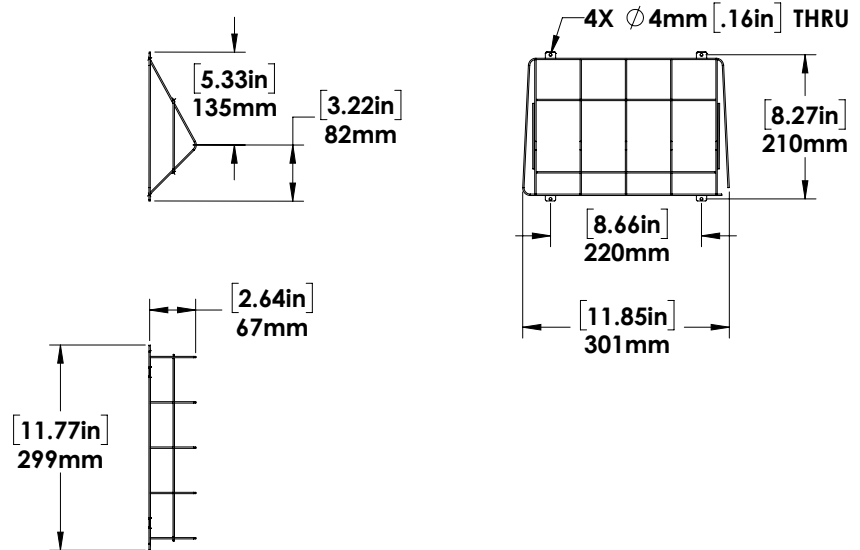
VISOR



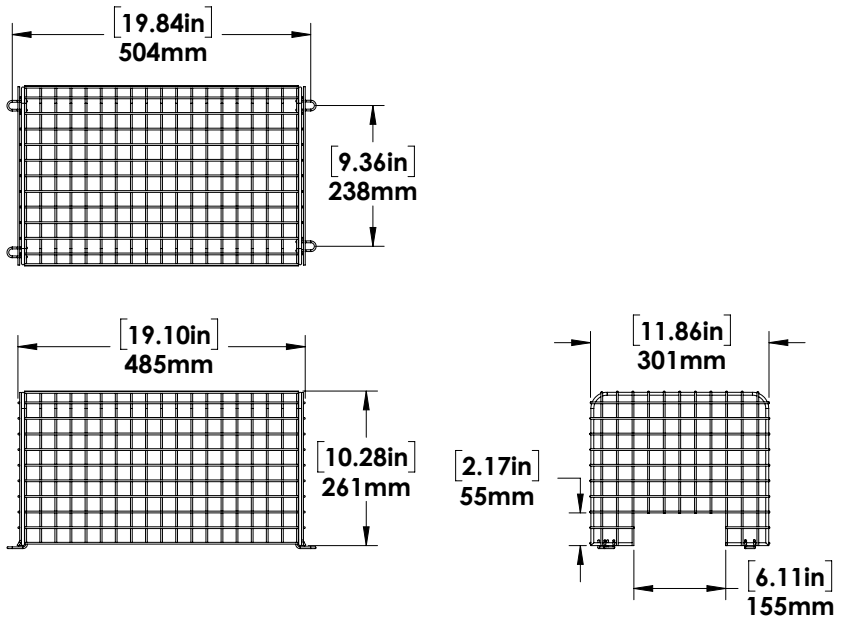
DIMENSIONS:



WIRE GUARD



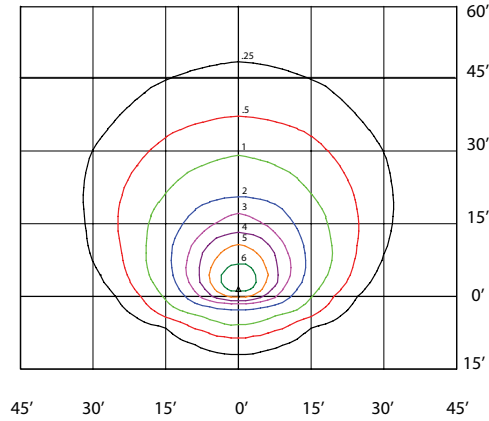
WIRE CAGE



PHOTOMETRICS:

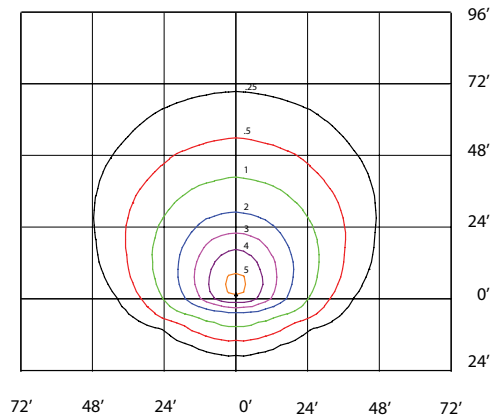
WP-LED40-B-4K-DIM
MOUNTED AT 15 FEET

Total Lumens = 5712 Mounting Height = 15.00 Ft Maximum Calculated Value = 6.80 Fc



WP-LED80-B-4K-DIM
MOUNTED AT 24 FEET

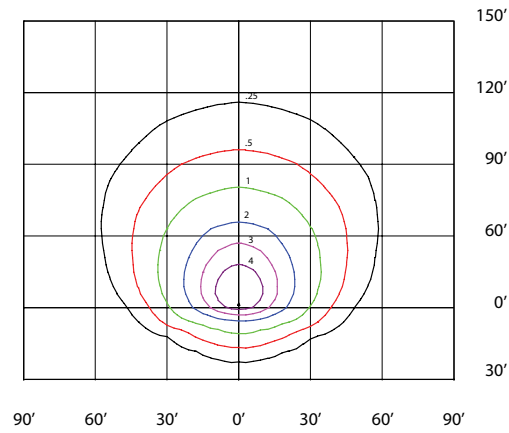
Total Lumens = 11751 Mounting Height = 24.00 Ft Maximum Calculated Value = 5.19 Fc



PHOTOMETRICS:

WP-LED120-B-4K-DIM
MOUNTED AT 30 FEET

Total Lumens = 17344 Mounting Height = 30.00 Ft Maximum Calculated Value = 4.96 Fc



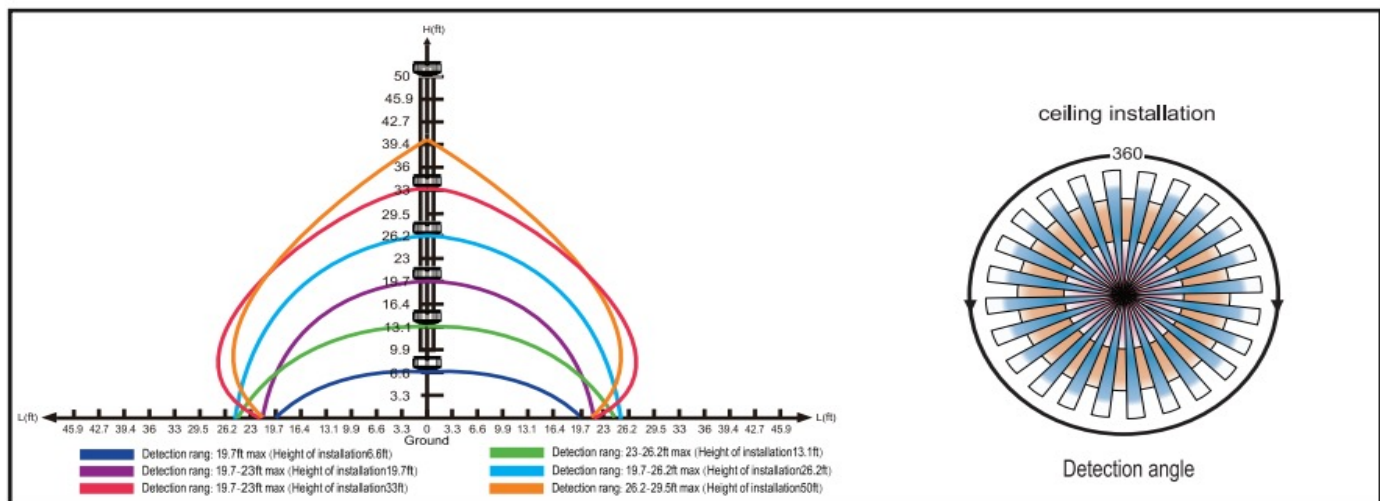
DHFS MOTION SENSOR

Dimming High Frequency Motion Sensor is factory installed.

DEFAULT SENSOR SETTINGS					
BRIGHTNESS	SENSITIVITY	HOLD TIME	DAYLIGHT SENSOR	STAND-BY DIM	STAND-BY TIME
100%	100%	5 minutes	☀Disabled	DIM: 30%	60 minutes

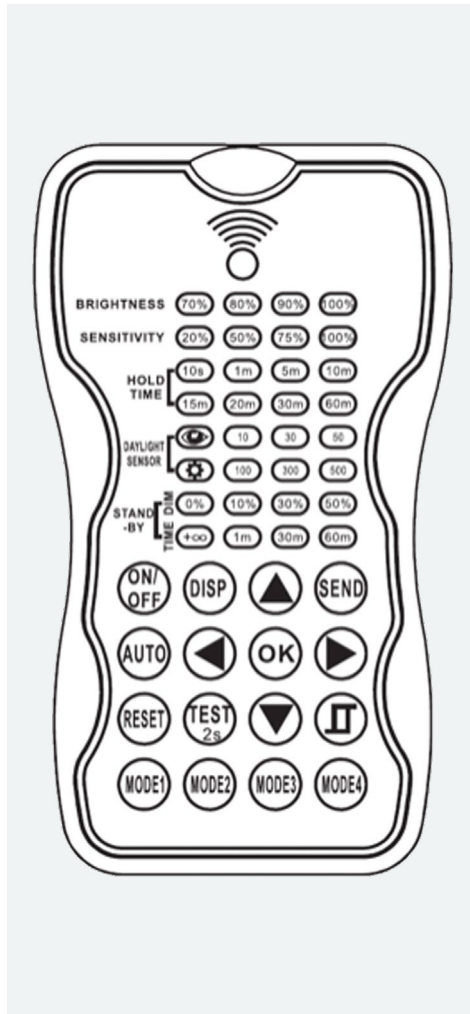
DHFS SENSOR SPECIFICATIONS	
HF SYSTEM	5.8 GHZ CW
DIM CONTROL OUTPUT	0-10 VDC DIMMING, 50MA
DETECTION RADIUS/ANGLE	MAX 26FT (8M) /360°
MOUNTING HEIGHT	MAX 40FT (12M)
REMOTE RANGE	50 FT (15M) INDOOR, NO BACKLIGHT
TIME SETTING	10SEC-60MIN (ADJUSTABLE)
HUMIDITY	MAX. 95% RH
TEMPERATURE	-40°F TO 185°F (-40°C TO 85°C)
OPTIONS	BUILT-IN DAYLIGHT SENSOR THAT CAN BE TURNED ON USING RC-100 REMOTE
CERTIFICATIONS	CRUUS, FCC
PROGRAMMING	WIRELESS PROGRAMMING USING RC-100 REMOTE

SENSOR COVERAGE



RC100 REMOTE SPECIFICATIONS

FEATURES



BRIGHTNESS:
Sets the highest light fixture brightness when motion is detected.

SENSITIVITY:
Sets the sensitivity to which the sensor will detect motion.

HOLD TIME:
The time the light fixture will remain at the brightness setting after it detects motion..

DAYLIGHT SENSOR:
The lux setting that the light fixture will turn on/off. If the ambient lux is more than the defined lux setting, the fixture & sensor function will turn off and remain off until the ambient lux is below the setting. To disable the lux sensor, select the SUN icon. To set the lux to match current room conditions, select the EYE icon.

STAND-BY DIM:
The Dim level that the light fixture will dim down after the Hold Time has expired.

To disable dimming and only have ON/OFF, select the 0% icon.

STAND-BY TIME:
The time the light fixture will remain in the dim down state before it shuts off. To disable the light from shutting off, select the INFINITY icon.

RC100 REMOTE CONTROL SPECIFICATION

Power Supply	2 x AAA 1.5V Batteries
Communication Protocol	940 nm Infrared Tx & Rx
Communication Range	Up to 15m (50 ft)
Operating Temp.	0 °C to 50°C (32°F to 122°F)
Dimensions	123x70x20.3mm (4.84"x2.76"x0.8")

KEY	FUNCTION
-----	----------



Light fixture will be set to permanently stay ON or OFF. Must press AUTO button to go back to sensor mode.



Displays the current remote-control parameters.



Navigate through the remote-control parameters and sets them to the desired settings.

NOTE: These settings are not yet set on the light fixture sensor. The remote needs to be pointed at the light fixture sensor, and the **SEND** button needs to be pushed.



Uploads the selected remote-control parameters to the light fixture sensor. The light fixture will turn on and off as confirmation the new settings have been set.



Light fixture sensor is set to sensor mode with the last sent parameters. This must be pressed to exit the ON/OFF setting.



Resets the light fixture sensor parameters. Default Settings

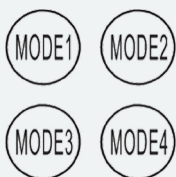
BRIGHTNESS	SENSITIVITY	HOLD TIME	DAYLIGHT SENSOR	STAND-BY DIM	STAND-BY TIME
100%	100%	5 minutes	Disabled	DIM: 30%	60 minutes



For Testing sensitivity only. The Standby period and daylight sensor are disabled in this mode. Must press AUTO button to go back to sensor mode.



Photocell Function: If this function is turned on, it is set to a specific lux setting (10, 30, 50, 100, 300, 500). When the lux level exceeds this setting, the sensor will wait and monitor for 1 minute to confirm the lux level is not temporary. After 1 minute, the lights will turn off even when the space is occupied. When the lux level goes below this setting, the light will turn on and remain on without any detected motion. This feature is disabled by default and is intended for outdoor use only.



Four modes are available with pre-set parameters. Any mode can be customized by following the steps below:

1. Select mode 1, 2, 3, or 4.
2. press the ARROW BUTTONS to choose the new parameters.
3. Select OK to confirm the new settings on that mode.

NOTE: These settings are not yet set on the light fixture sensor. The remote needs to be pointed at the light fixture sensor, and the **SEND** button needs to be pushed.

NOTE: Modes 2, 3, and 4 all have the same default settings. See instructions to change defaults.

MODE DEFAULT SETTINGS	BRIGHTNESS	SENSITIVITY	HOLD TIME	DAYLIGHT SENSOR	STAND-BY DIM	STAND-BY TIME
MODE1	100%	100%	5 minutes	Disabled	DIM: 30%	Disabled



70% 20% 10 seconds Disabled 0% Disabled



ORDERING GUIDE:

WP		VK			DIM		
Fixture	Wattage	Voltage	Colour Temp.	Paint Finish	Driver	Controls	Options
LED40		B - 120-277V (for WP-LED40, WP-LED80, or see Note)	VK - Colour Selectable (3K/4K/5K)	BRZ - Bronze	DIM - 0 -10V Dimming	PC - Photocontrol**	Blank
LED80*				CC - Custom Colours		DMS - Dimming Motion Sensor (PIR)**	SP10 - 10kV Surge Protector**
LED80A40		H - 120-347V (for WP-LED40, WP-LED80A40, WP-LED120)				SMS - ON/OFF Motion Sensor (PIR)**	
LED120		C - 347V (See Note)				DHFS - Dimming High Frequency Microwave Sensor (Compatible with 120-347V)	

**If you require 347V in 80W, select the WP-LED80A40 unit

**When ordering WP-LED40, WP-LED80A40 or WP-LED120 with photocell, sensor or surge protector, fill "B" in the voltage field if input voltage is 120-277V or "C" instead of H when input voltage is 347V.

Ordering Guide For Accessories

Check the items that you wish to order:

- 080731 - WP-LED CUTOFF VISOR BRZ
- 080732 - WP-LED WIRE GUARD
- 098710 - WP WIRE CAGE CHROME PLATED STEEL
- 087016 - RC100 MOTION SENSOR REMOTE CONTROL
(One remote control required per order to configure custom settings for the DHFS motion sensor. No remote control option for DMS and SMS sensors.)