



XBAR1-LED

LED Area Light



IDEAL APPLICATIONS

- Parking Lots
- Area Lighting
- Commercial Plazas

DESCRIPTION:

The XBAR-LED Series is a slim, round post top area light with a colour selectable switch allowing you to choose a color temperature of 3000K, 4000K or 5000K.

FEATURES:

Construction

- Die cast aluminum housing with matte black finish and clear polycarbonate lens. Custom colour finish is also available.

Electrical

- Standard unit is available in 120-277V with 2kV internal Surge Protection and 347V with 6kV internal Surge Protection.
- Operates at a temperature of -40° to +45°C.

Light Performance

- Colour selectable fixture that gives you the flexibility to choose between 3000K, 4000K or 5000K CCT during installation.
- Unit has a switch inside the housing that is set at a default CCT of 4000K that can be adjusted if needed.

Controls

- Optional twist lock photocell.

Packaging

- Fixture has been designed to fold neatly to minimize packaging footprint.

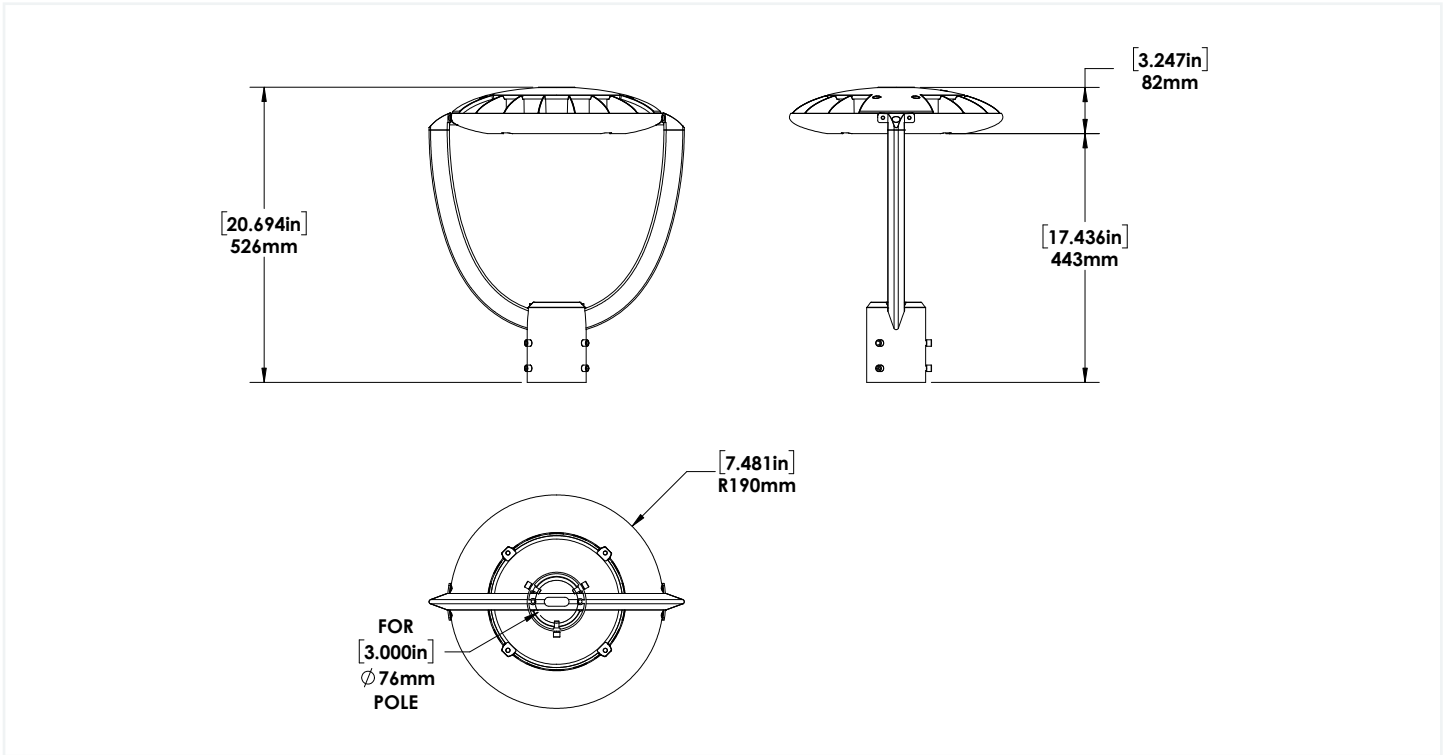
SPECIFICATIONS	XBAR1-LED35	XBAR1-LED75
Watts (W)	32.7	78.1
Lumens (Maximum)	4080	9536
Efficacy (Lm/W)	125	122.1
Voltage	120-277V*, 347V	
Colour Temp	VK-3000K/4000K/5000K	
CRI	80	
Dimming	1-10V Dimming**, 0-10V Dim to Off	
THD	<15%	
PF	0.9	
Beam Distribution	90 Degree	
LED Life @ 100,000 Hours	81%	
Housing Finish	Matte Black, Custom Colours	
Housing Details	Die Cast Aluminum	
Lens Details	Clear Polycarbonate Lens	
Mounting	Post Top - Fits 3" Tenon	
Operating Temp.	-40°C to +45°C	
Factory Installed Options	Photocell, 7 PIN Socket for Smart Controls, 10KV Surge Protection.	
Certifications Logos	UL, Wet Location, IP65, DLC Premium	

*Standard Configuration

**120-277V fixture will come with 1-10V Dimming



DIMENSIONS:

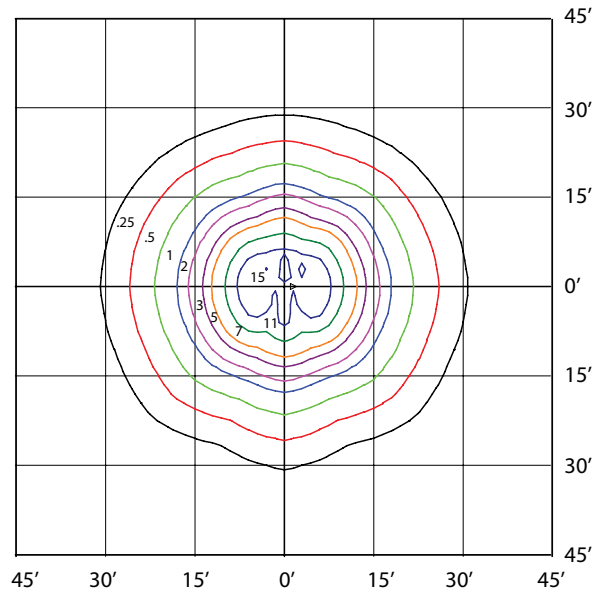
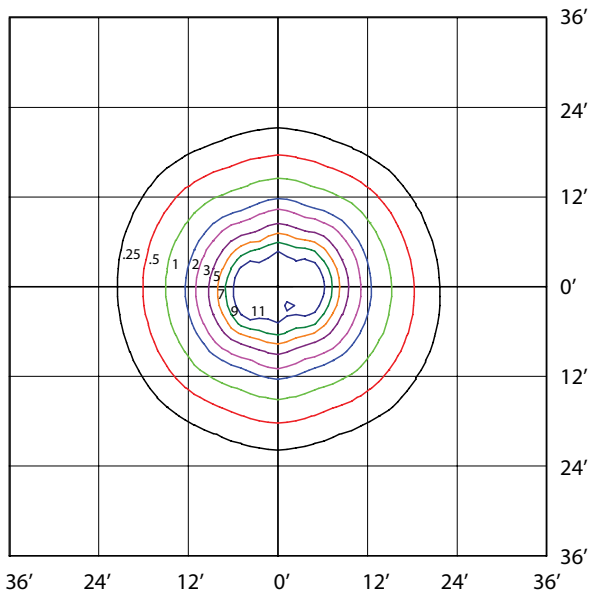


XBAR1-LED35-V-VK-90DEG-BLK-DIM-PLC (4000K)
MOUNTED AT 12 FEET

XBAR1-LED75-V-VK-90DEG-BLK-DIM-PLC (4000K)
MOUNTED AT 15 FEET

Total Lumens = 4080 Mounting Height = 12 Ft Maximum Calculated Value = 13.47 Fc

Total Lumens = 9536 Mounting Height = 15 Ft Maximum Calculated Value = 18.32 Fc



AMPERAGE DRAW & SURGE PROTECTION							
	CURRENT (A)					INTERNAL SURGE PROTECTION (kV)	
	120V	208V	240V	277V	347V	120-277V	347V
XBAR1-LED35	0.31A	0.18A	0.16A	0.14A	0.11A	2kV	6kV
XBAR1-LED75	0.66A	0.38A	0.33A	0.29A	0.23A	2kV	6kV

TM-21 ESTIMATED LUMEN MAINTENANCE			
	50,000 Hours	75,000 Hours	100,000 Hours
XBAR1-LED35	90.3%	85.7%	81.4%
XBAR1-LED75			

WEIGHTS (lbs)	
XBAR1-LED35	9.7
XBAR1-LED75	9.9

EPA	
	0° Tilt
XBAR1-LED	1.07

SPECIFICATIONS								
Model Number	Voltage (V)	Power (W)	Light Output (lm)	Efficacy (lm/W)	THD (%)	PF	CCT (K)	B-U-G
XBAR1-LED35-B-VK-90 DEG-XXX-DIM-[DMS;PC;BLANK]-[SP10;BLANK]-PCL	120-277	33	4080	125.0	15.0	0.900	3000/4000/5000	2-2-1
XBAR1-LED35-C-VK-90 DEG-XXX-DIM-[PC;BLANK]-[SP10;BLANK]-PCL	347	36	4331	121.5	15.0	0.900	3000/4000/5000	2-2-0
XBAR1-LED75-B-VK-90 DEG-XXX-DIM-[PC;BLANK]-[SP10;BLANK]-PCL	347	75	9021	120.2	15.0	0.900	3000/4000/5000	3-3-1
XBAR1-LED75-C-VK-90 DEG-XXX-DIM-[DMS;PC;BLANK]-[SP10;BLANK]-PCL	120-277	78	9536	122.1	15.0	0.900	3000/4000/5000	3-3-1

LEGEND

- B - 120-277V, C - 347V
- VK - Colour Selectable 3000K/4000K/5000K
- 90DEG - 90 Degrees
- DIM - 0-10V Dimming
- PC - Photocell
- SP10 - 10kV Surge Protection
- PCL - Polycarbonate Lens

ORDERING GUIDE:

XBAR1 — VK — 90DEG — DIM									
Fixture	Wattage	Voltage	Colour Temp.	Optics	Finish	Dimming	Controls	Surge Protection	Lens
	LED35	B - 120-277V*	VK - Colour Selectable (3K/4K**/5K)	90DEG - 90 Degree	BLK - Matte Black	DIM - 0-10V Dimming	BLANK	BLANK	PCL- Polycarbonate Lens
	LED75	C - 347V			CC - Custom Colour		PC- Dusk to Dawn ON/OFF Photocell		
							7 PIN- 7 PIN Socket for Smart Controls		

*Standard Configuration

Note: Reach out to our Customer success team for custom 2200K CCT offering