



WPF-LED

Architectural Wall Pack
Full Cut Off Version



- Lumen Adjustable**
- Colour Selectable**
- Voltage Range 120-347V**

IDEAL APPLICATIONS

- ✓ Schools
- ✓ Entrances
- ✓ Shopping Malls
- ✓ Perimeter Lighting

DESCRIPTION:

The WPF-LED Series of fixtures are full cut off wall packs in a sleek, modern design ideal for perimeter lighting in schools, condominiums, shopping malls, and commercial applications. Fixtures are versatile with features such as CCT select, lumen adjustability and wide voltage range.

FEATURES:

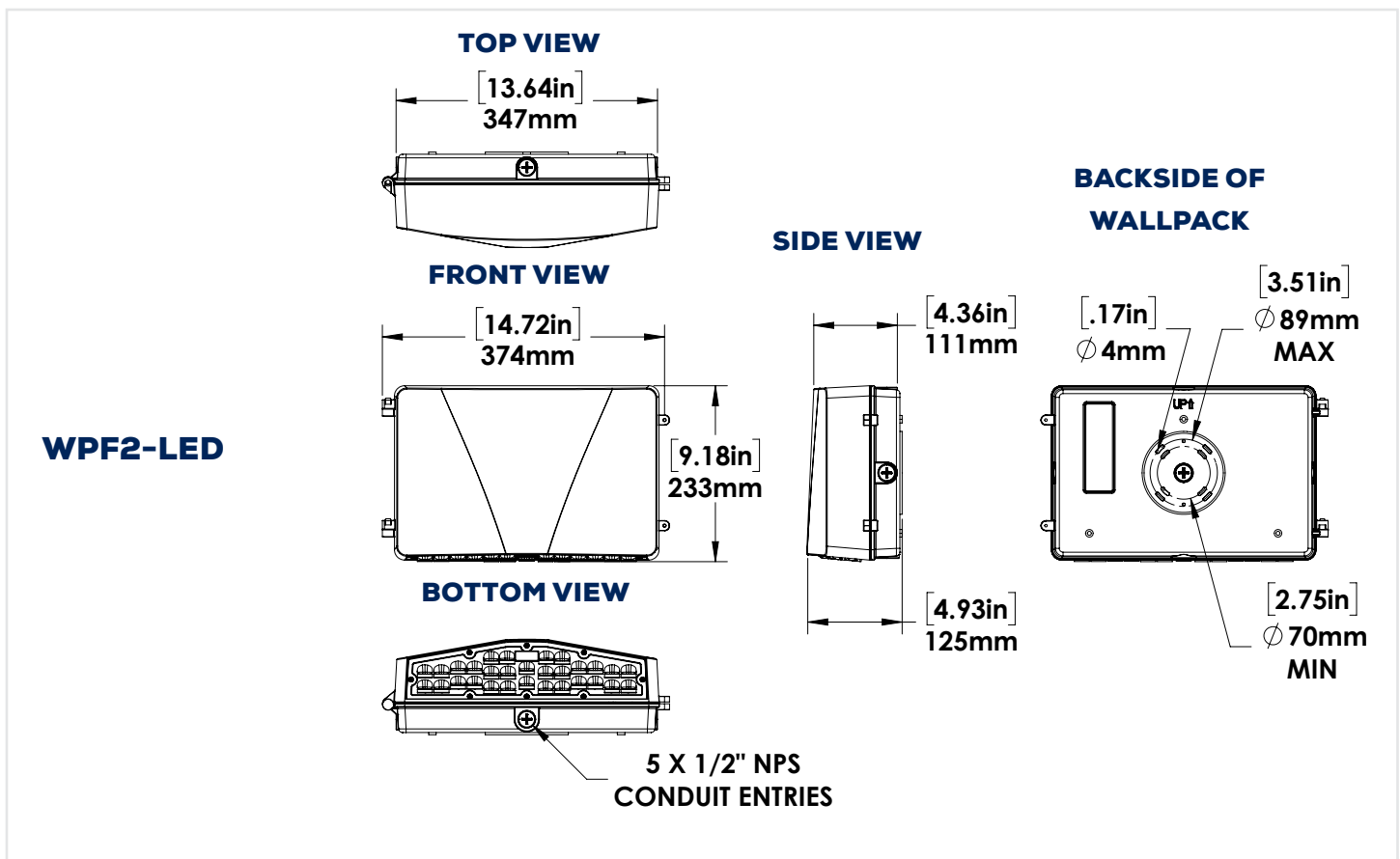
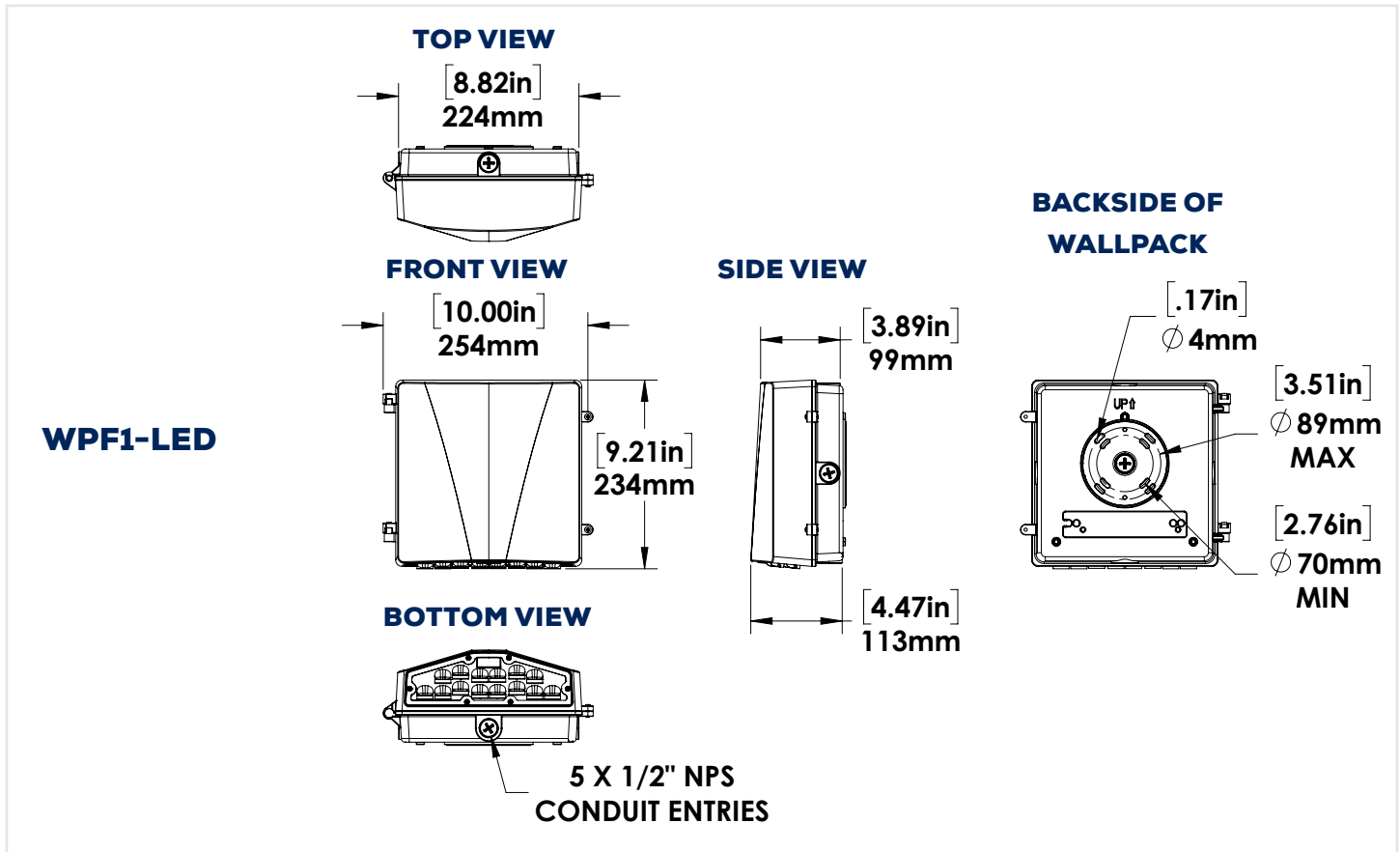
- Fixtures are CCT selectable (3000K/4000K/5000K)
- Three lumen adjustable/wattage settings (refer to page 3 for spec values)
- 120-347V wide voltage range (120-277V or 347V needs to be selected when ordering PC).
- Side hinged design allows Installer to use both hands for wiring.
- Fixture has a level bubble for quick alignment.
- Die cast aluminum housing with frosted polycarbonate lens.
- 0-10V dimming is standard.
- This Wallpack has five 1/2" NPS holes (one on each side plus one on the back) with matching plugs, for photocells and sensors installation.
- Optional 8W, 90 min Emergency Battery Back Up and 20W Cold Battery Back Up available for WPF2 only.
- Motion Sensor Remote Control (RC100) available to program fixture with Dimming High Frequency Sensor (DHFS).

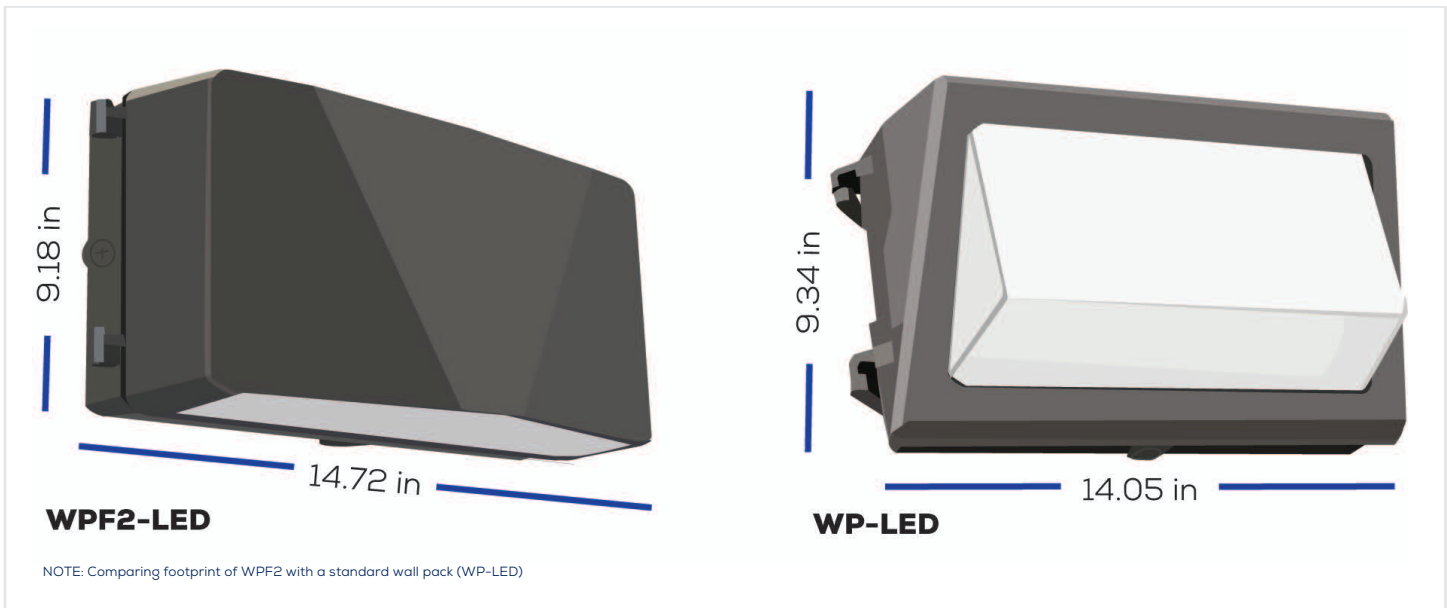
SPECIFICATIONS	WPF1-LED25A15	WPF2-LED55A33
Watts	24 (max)	52.6 (max)
Lumens	3397.9 (max)	7560 (max)
Efficacy (Lm/W)	142.9	144.5
Voltage	120 - 347V*	
Colour Temp.	VK - Colour Selectable 3000K/4000K*/5000K	
Finish	Bronze*, Custom Colour	
Housing Details	Die Cast Aluminum	
Lens Details	PC Clear Lens	
Mounting	Wall Mount	
THD	14.4%	14.5%
PF	0.92	
LED Life @ 100,000 Hours	83%	
Operating Temp.	-40°C to +40°C	
CRI	73	
Dimming	0-10V Dimming (Range: 10%-100%)*	
Certification	UL, Wet Locations, IP65, 5 Year Warranty	
Factory Installed Options	Battery Backup**, Photocell, Dimming High Frequency Sensor	

*STANDARD CONFIGURATION
 **AVAILABLE ONLY FOR SIZE 2
 NOTE: FOR LUMEN OUTPUTS AT DIFFERENT WATTAGE SETTINGS, PLEASE REFER TO LUMEN ADJUSTABLE SETTINGS TABLE ON PAGE 3.



DIMENSIONS





AMPERAGE DRAW & SURGE PROTECTION

	CURRENT (A)					BUILT-IN SURGE PROTECTION
	120V	208V	240V	277V	347V	120-347V
WPF1-LED25A15 (Max Wattage)	0.22A	0.13A	0.11A	0.1A	0.08A	2kV
WPF2-LED55A33 (Max Wattage)	0.49A	0.28A	0.25A	0.21A	0.17A	

LUMEN ADJUSTABLE SETTINGS

WPF1-LED25A15			
WATTS	15	20	24
LUMENS	2143	2858	3398
WPF2-LED55A33			
WATTS	33	44	53
LUMENS	4768	6357	7560

WEIGHT (LBS)

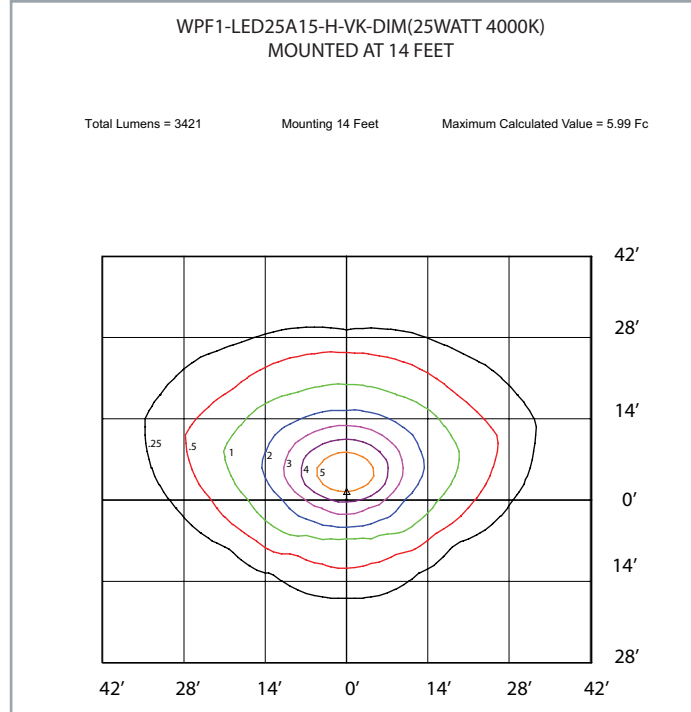
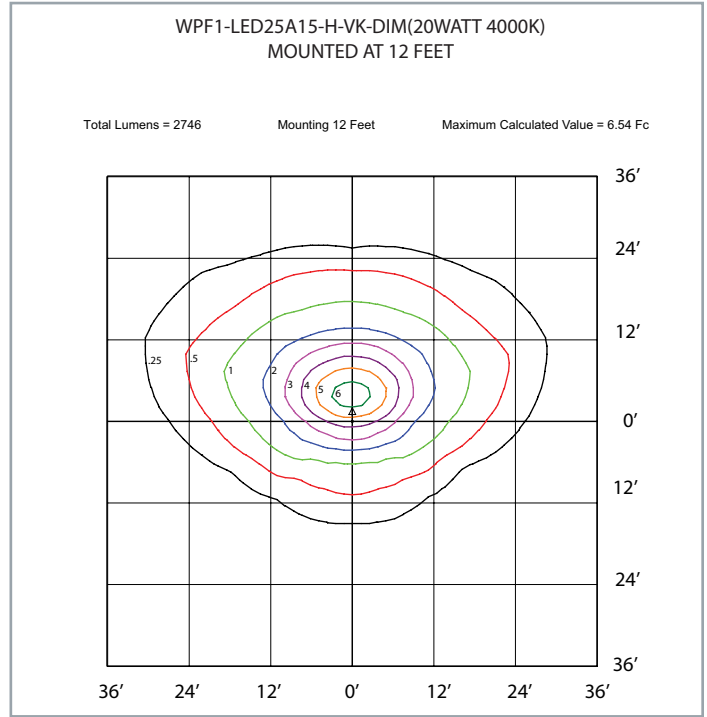
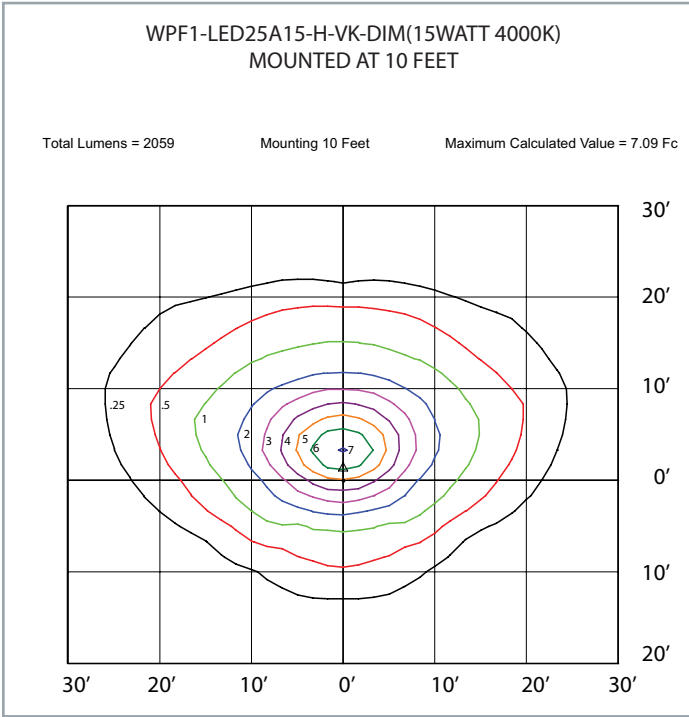
WPF1-LED25A15	4.04
WPF2-LED55A33	5.12

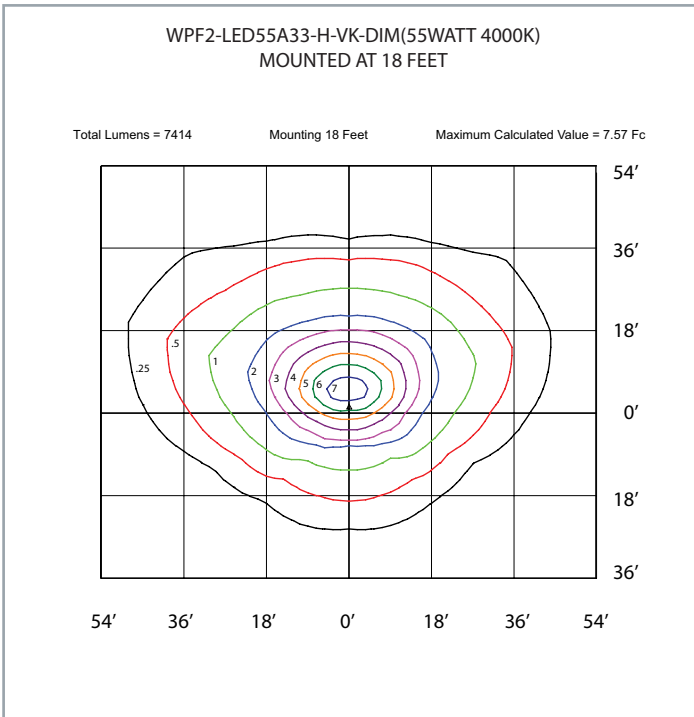
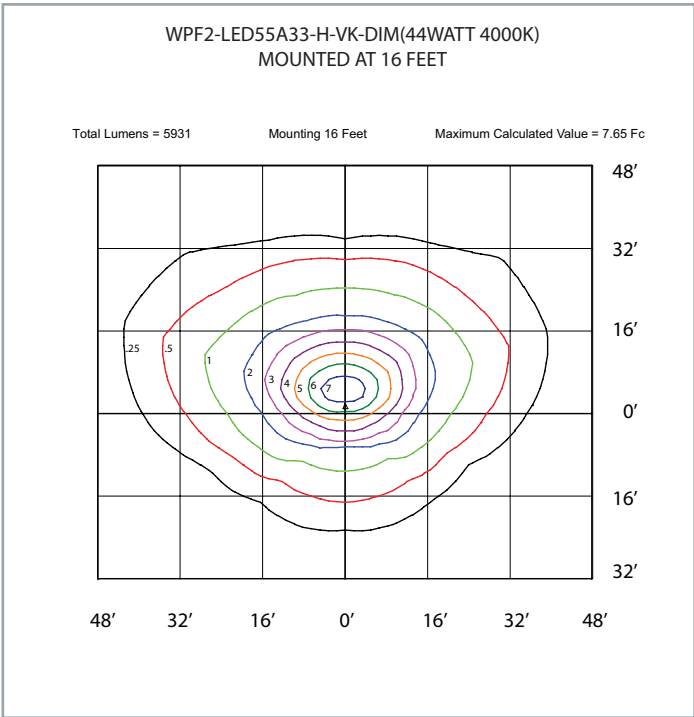
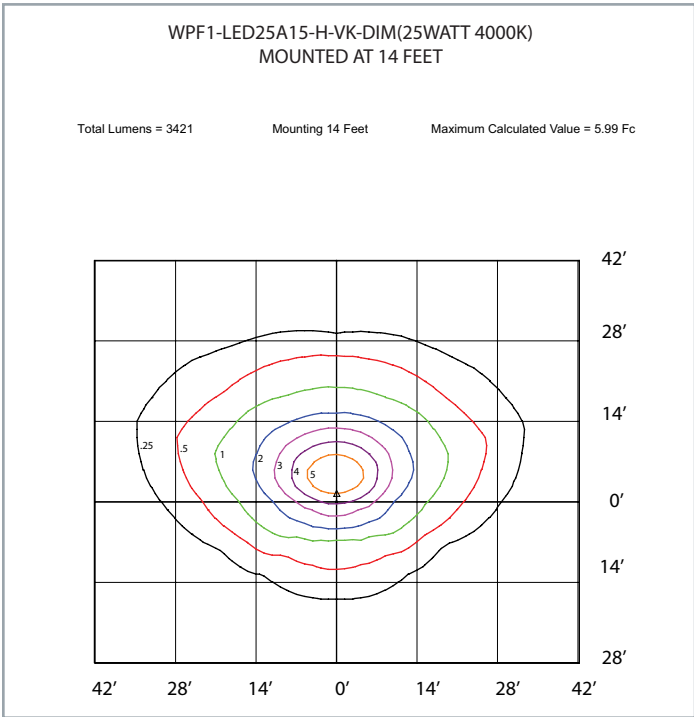
LUMEN MAINTENANCE

	50,000 HRS	75,000 HRS	100,000 HRS
WPF1-LED25A15 WPF2-LED55A33	91.2%	87.1%	83.3%

SPECIFICATIONS

Model Number	Voltage (V)	Power (W)	Light Output (lm)	Efficacy (lm/W)	THD (%)	PF	CCT (K)	B-U-G
WPF1-LED25A15-[H;B;C]-VK-XXX-DIM-[DHFS;PC;Blank]	120-347	24	3398	142.9	14.39	0.922	3K/4K/5K	1-0-1
WPF2-LED55A33-[H;B;C]-[DHFS;PC;Blank]	120-347	53	7560	144.5	14.47	0.924	3K/4K/5K	2-0-2





DHFS MOTION SENSOR

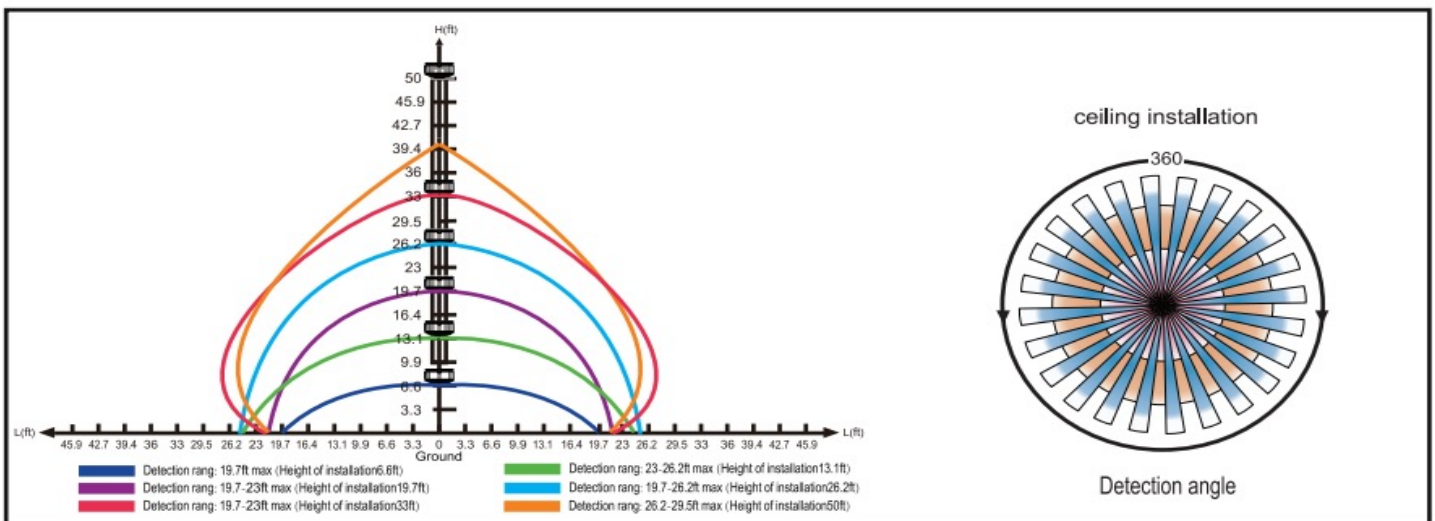
Dimming High Frequency Motion Sensor is factory installed.

DEFAULT SENSOR SETTINGS					
BRIGHTNESS	SENSITIVITY	HOLD ON TIME	DAYLIGHT SENSOR	DIMMING LEVEL	DIMMING TIME
100%	100%	5 min	☼(Disabled)	30%	60 mins

DHFS SENSOR SPECIFICATIONS	
HF SYSTEM	5.8 GHZ CW
DIM CONTROL OUTPUT	0-10 VDC DIMMING, 50MA
DETECTION RADIUS/ANGLE	MAX 26FT (8M) /360°
MOUNTING HEIGHT	MAX 40FT (12M)
REMOTE RANGE	50 FT (15M) INDOOR, NO BACKLIGHT
TIME SETTING	10SEC-60MIN (ADJUSTABLE)
HUMIDITY	MAX. 95% RH
TEMPERATURE	-40°F TO 185°F (-40°C TO 85°C)
OPTIONS	BUILT-IN DAYLIGHT SENSOR THAT CAN BE TURNED ON USING RC-100 REMOTE
CERTIFICATIONS	CRUUS, FCC
PROGRAMMING	WIRELESS PROGRAMMING USING RC-100 REMOTE

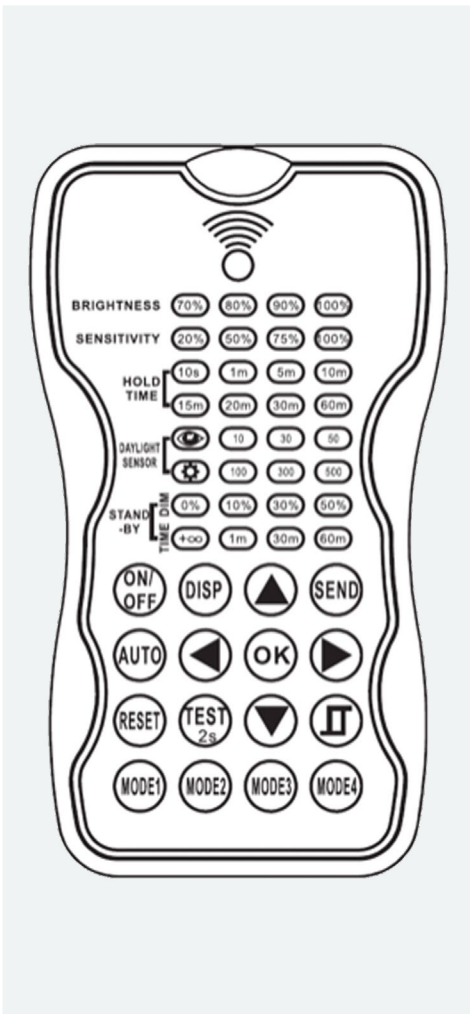
NOTE: ONCE DEVICE IS POWERED, THE SENSOR WILL USE FACTORY DEFAULT SETTINGS. IF ADJUSTMENTS ARE NEEDED, RC100 WIRELESS IR CONFIGURATION TOOL MUST BE USED

DHFS DETECTION RANGE & RADIUS/ANGLE



RC100 REMOTE SPECIFICATIONS

FEATURES



BRIGHTNESS:
Sets the highest light fixture brightness when motion is detected.

SENSITIVITY:
Sets the sensitivity to which the sensor will detect motion.

HOLD TIME:
The time the light fixture will remain at the brightness setting after it detects motion..

DAYLIGHT SENSOR:
The lux setting that the light fixture will turn on/off. If the ambient lux is more than the defined lux setting, the fixture & sensor function will turn off and remain off until the ambient lux is below the setting. To disable the lux sensor, select the SUN icon. To set the lux to match current room conditions, select the EYE icon.

STAND-BY DIM:
The Dim level that the light fixture will dim down after the Hold Time has expired.

To disable dimming and only have ON/OFF, select the 0% icon.

STAND-BY TIME:
The time the light fixture will remain in the dim down state before it shuts off. To disable the light from shutting off, select the INFINITY icon.

RC100 REMOTE CONTROL SPECIFICATION

Power Supply	2 x AAA 1.5V Batteries
Communication Protocol	940 nm Infrared Tx & Rx
Communication Range	Up to 15m (50 ft)
Operating Temp.	0 °C to 50°C (32°F to 122°F)
Dimensions	123x70x20.3mm (4.84"x2.76"x0.8")

KEY	FUNCTION
-----	----------



Light fixture will be set to permanently stay ON or OFF. Must press AUTO button to go back to sensor mode.



Displays the current remote-control parameters.



Navigate through the remote-control parameters and sets them to the desired settings.

NOTE: These settings are not yet set on the light fixture sensor. The remote needs to be pointed at the light fixture sensor, and the SEND button needs to be pushed.



Uploads the selected remote-control parameters to the light fixture sensor. The light fixture will turn on and off as confirmation the new settings have been set.



Light fixture sensor is set to sensor mode with the last sent parameters. This must be pressed to exit the ON/OFF setting.



Resets the light fixture sensor parameters. Default Settings

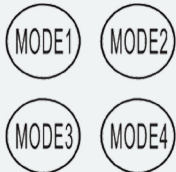
BRIGHTNESS	SENSITIVITY	HOLD TIME	DAYLIGHT SENSOR	STAND-BY DIM	STAND-BY TIME
100%	100%	5 minutes	Disabled	DIM: 30%	60 minutes



For Testing sensitivity only. The Standby period and daylight sensor are disabled in this mode. Must press AUTO button to go back to sensor mode.



Photocell Function: If this function is turned on, it is set to a specific lux setting (10, 30, 50, 100, 300, 500). When the lux level exceeds this setting, the sensor will wait and monitor for 1 minute to confirm the lux level is not temporary. After 1 minute, the lights will turn off even when the space is occupied. When the lux level goes below this setting, the light will turn on and remain on without any detected motion. This feature is disabled by default and is intended for outdoor use only.



Four modes are available with pre-set parameters. Any mode can be customized by following the steps below:

1. Select mode 1, 2, 3, or 4.
2. press the ARROW BUTTONS to choose the new parameters.
3. Select OK to confirm the new settings on that mode.

NOTE: These settings are not yet set on the light fixture sensor. The remote needs to be pointed at the light fixture sensor, and the SEND button needs to be pushed.

NOTE: Modes 2, 3, and 4 all have the same default settings. See instructions to change defaults.

MODE DEFAULT SETTINGS	BRIGHTNESS	SENSITIVITY	HOLD TIME	DAYLIGHT SENSOR	STAND-BY DIM	STAND-BY TIME
MODE1	100%	100%	5 minutes	Disabled	DIM: 30%	Disabled



70% 20% 10 seconds Disabled 0% Disabled



BATTERY BACK UP DETAILS:

TECHNICAL SPECIFICATIONS	
Rated Input Voltage	100-347VAC
Input Current	20-100mA
Input Power	8W
Output Wire L-out N-out (LED load input)	AC 6A Max
Power Factor	0.6 @ 100VAC, 0.5 @347 VAC
Output Power (Emergency Mode)	8W
Recharge Current	0-200mA
Recharge Time	24 Hours
Discharge Time	90 Minutes
Maximum Case Temperature Tc	70°C
Ambient Operating Temperature Ta	10-60°C
Service Life	50,000 Hours
RFI/EMI	FCC

*Battery Back Up is factory installed inside housing.

Note: Lumen output with emergency battery backup can be calculated by multiplying battery power output with efficacy of fixture.

20W COLD BATTERY BACK UP

TECHNICAL SPECIFICATIONS	
Input Voltage	100-277VAC±10%,50/60Hz
Output Power (Emergency Mode)	20W
Input Current	244mA Max.
Input Power	25W Max. 2W Max. (Heater Off)
Recharge Time Required	32 Hours
Battery Type	LiFepO4 9.6 VDC
Battery Count	3 Cells
Battery Capacity Available	3Ah
Input Protection	FUSE
Input Surge Protection	Line-Neutral 1kV, Line & Neutral-Ground 2kV
Ambient Temperature	-20°C-50°C

*Battery Back Up is factory installed inside housing.

Note: Lumen output with emergency battery backup can be calculated by multiplying battery power output with efficacy of fixture.

ORDERING GUIDE:

		VK		DIM			
Fixture	Wattage	Voltage	Colour Temp.	Paint Finish	Driver	Lighting Controls	Battery Back Up**
WPF1-LED	25A15	H - 120-347V*	VK - Colour Selectable	BRZ - Bronze*	DIM - 0 -10V Dimming*	DHFS - Dimming High Frequency Motion Sensor	BBK8 - 8W Battery Back Up
WPF2-LED	55A33		3K/4K/5K	CC - Custom Colour			
		B - 120-277V			PC - Photocell***		BBK20C - 20W Cold Pack Battery Back Up****
		C - 347V					

*STANDARD CONFIGURATION

** ONLY AVAILABLE FOR WPF2, NOT DLC QUALIFIED

***120-277V OR 347V NEEDS TO BE SELECTED IF PC OPTION IS SELECTED

****AVAILABLE IN 120-277V ONLY

Note: Reach out to our Customer success team for custom 2200K CCT offering

ACCESSORIES

Options Sold Separately

Check the items that you wish to order:

- 087016 - RC100 MOTION SENSOR REMOTE CONTROL
(One remote control required per order to configure custom settings for the DHFS sensor)