



XFL-LED Series Floodlight



XFL1-LED35A15



XFL2-LED60A35



XFL3-LED80A60



XFL4-LED150A100



XFL5-LED300A150

DESCRIPTION:

The XFL is the first floodlight on the market with field adjustable beam distribution, ensuring contractors get light exactly where they need it. Along with a host of other customizable features like colour temperature and a sturdy design built for extreme Canadian weather conditions, it's an innovation meant to help get the job done right the first time.

IDEAL APPLICATIONS

- Patios
- Yards
- Parking Lots
- Plazas and Shopping Malls
- Facades
- Signs
- Pathways and Walkways
- Exteriors of commercial and Industrial Buildings

SELECTION FEATURES:

Over 100+ configurations in the box to satisfy every project need.



- **Universal Voltage:**
Fixture driver covers a wide voltage range of 120-347V.



- **Adjustable Lumens:**
Installer can select between 3 lumen settings using a lumen select switch located on the housing.



- **Colour Selection:**
Installer can select either 3000K or 4000K or 5000K colour temperature with a CCT select switch during installation.



- **Integrated Photocell:**
Fixture includes electronic photocell for XFL1 – XFL4 models and a twist lock photocell for XFL5. Default setting is ON and can be turned OFF using a switch.



- **Two Mounting Options Included:**
XFL1 and XFL2 fixtures include a pre-installed knuckle, and separate yoke in the box. XFL3, XFL4, and XFL5 fixtures include pre-installed slip fitter, and separate yoke in the box. The knuckle/slip fitter can be removed easily and replaced by the yoke if needed. Mounting plate for knuckle mount installations included for added convenience.



- **Adjustable Beam Distribution:**
The beam distribution of the fixture can be easily adjusted on the job site by using a key (included in box). Fixture has 3 beam distribution settings: Extra Wide - 90° (NEMA 7x6), Wide - 75° (NEMA 6x6), Medium Wide - 55°(NEMA 5x5). Factory installed options for narrow beam distribution available. See page 2.

For more features see page 2.

CONSTRUCTION AND DESIGN

- The XFL is available in 5 different sizes with a comprehensive range of lumen packages ranging from 2100lm - 42000lm.
- Robust construction with die cast aluminum housing and clear glass lens.
- Fixture is IP65 rated and has an operating temperature of -40° C to + 50° C built to withstand cold Canadian weather.
- Fixture has an integrated visor shield that help to direct light, reducing unwanted glare.
- Standard finish is bronze. Custom finishes are available.
- Cable length of 0.5 metres for XFL1/XFL2 and 1 metre for XFL3/XFL4/XFL5 for easy installation.
- Power factor >0.98 results in reduced power losses and an efficiency of 150 lumens per watt.
- High surge protection of 6kV internal and 10kV external for XFL3/XFL4/XFL5.

SPECIFICATIONS	XFL1-LED35A15	XFL2-LED60A35	XFL3-LED80A60	XFL4-LED150A100	XFL5-LED300A150
Input Power	35W Max 15W Min	60W Max 35W Min	80W Max 60W Min	150W Max 100W Min	300W Max 150W Min
Lumens	5250lm Max 2100lm Min	9000lm Max 4900lm Min	12000lm Max 8400lm Min	22500lm Max 14000lm Min	42000lm Max 21000lm Min
Efficacy	150 lm/W				
Voltage	120-347V				
CCT	CCT Selectable (3000K/4000K/5000K)				
CRI	80				
Dimming	0-10V (0-100%)				
Total Harmonic Distortion	<10%				
Power Factor	0.98				
Surge Protection	2.5kV	6kV	6kV Internal and 10kV External		
Beam Distribution	Field Adjustable [Extra Wide (90°, 7x6), Wide (75°, 6x6), Medium wide (55°, 5x5)], Narrow beam				
Housing Finish	Bronze, Custom Finish				
Housing Details	Die Cast Aluminum				
Lens Details	Clear Glass lens				
Mounting	Knuckle , Yoke (included in box)		Slip fitter, Yoke (included in box)		
Photocell	DC photocell				AC Twistlock Photocell with Shorting cap
Operating Temp.	-40°C to +50°C				
Certifications	cULus certified as per UL1598 & CSA C22.2 NO.250.0:21, Wet Location, 7 Year Warranty, IP65, DLC Premium				

Note: Mounting plate included in the box for XFL1/XFL2.

Default Factory Setting: 4000K CCT/Highest lumen setting/90°Beam/Photocell ON.

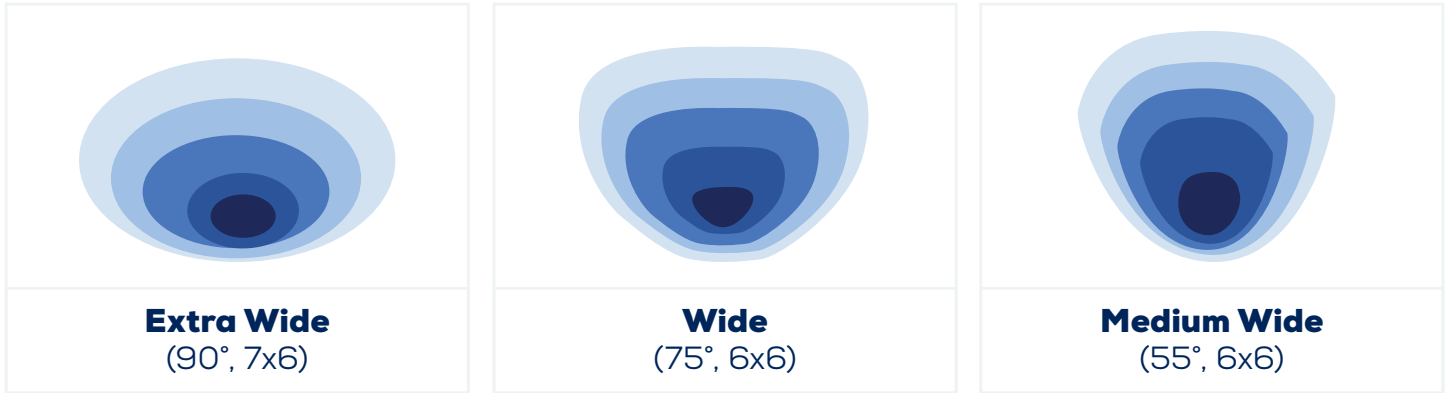
Factory installed options include custom finishes and narrow beam distribution. Narrow beam options for XFL1/XFL2/XFL3/XFL4 are 35° (NEMA 5X5) and for XFL5 are 35° NEMA 5X5 or 20° NEMA 4X4.

XFL1 and XFL2 fixtures include a pre-installed knuckle, and separate yoke and mounting plate in the box. XFL3, XFL4, and XFL5 fixtures include pre-installed slip fitter, and separate yoke in the box.



FIELD AJUSTABLE FEATURES

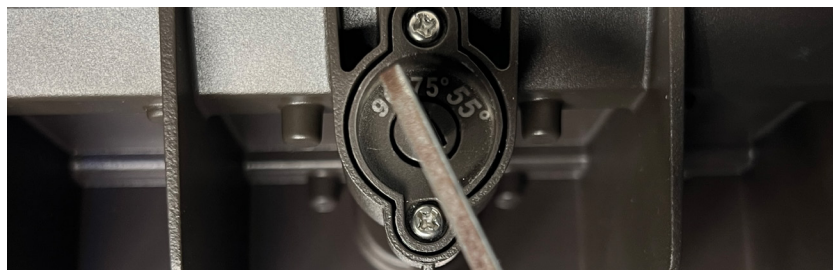
Beam distribution



Factory installed options for narrow beam available.
Contact RAB Design's Customer Success Team to learn more.



Adjust beam distribution on job site using a key included in the box..



COLOUR TEMPERATURE AND LUMEN ADJUSTMENT

CCT and Lumen Select Switch

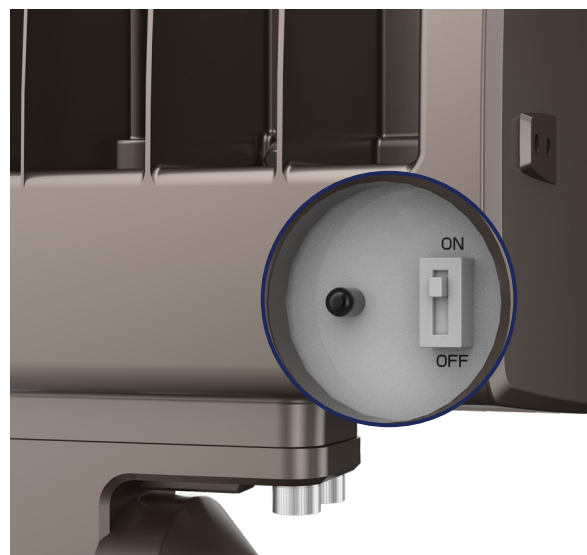
Adjust colour temperature and lumens using a switch during installation.
Choose between 3000K/4000K/5000K and preferred lumen output.
Default setting at 4000K colour temperature and highest lumen output.



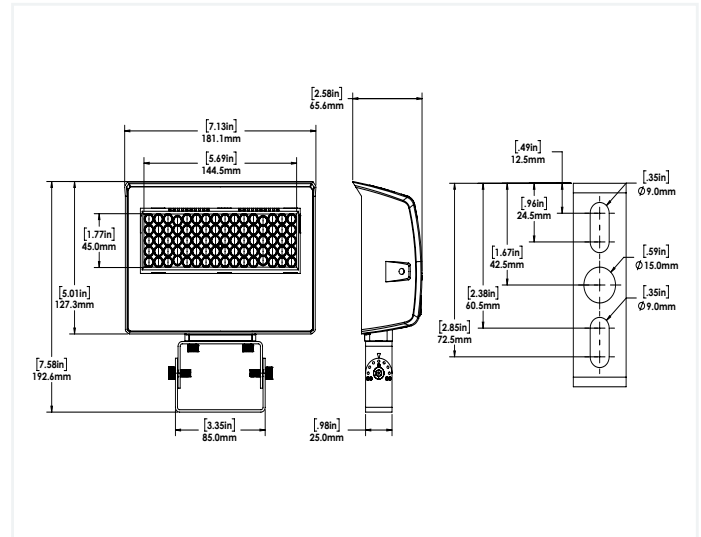
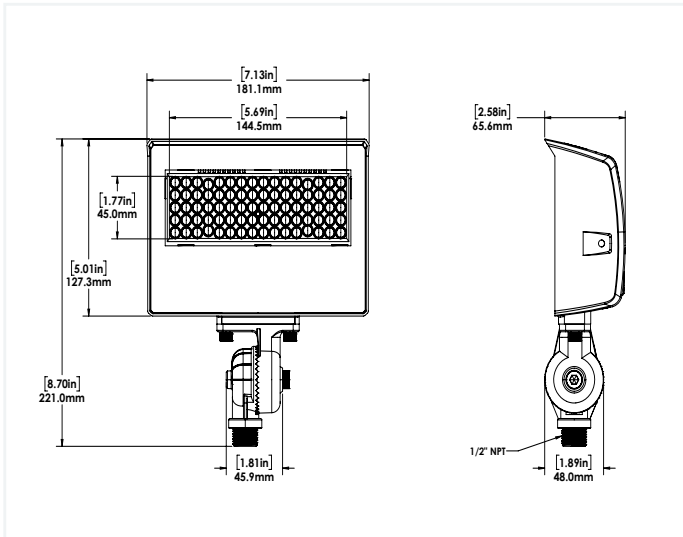
INTEGRATED PHOTOCELL

Integrated Photocell

Eliminate the need for timers with automatic dusk-to-dawn illumination.
Default setting for photocell switch is ON.



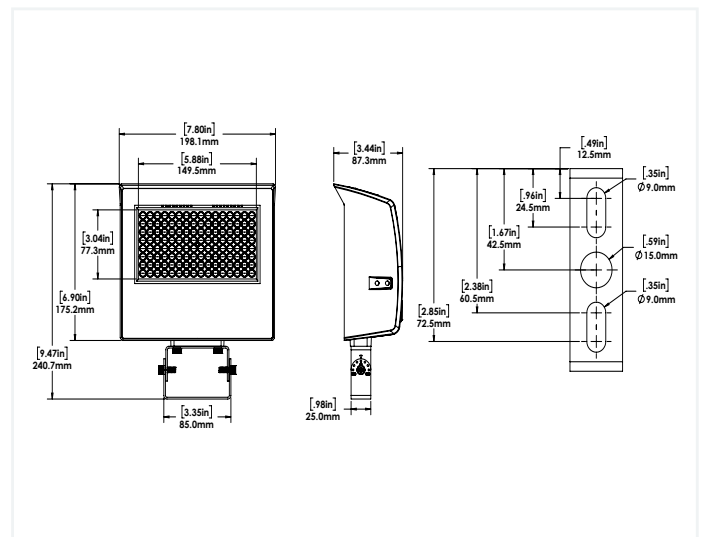
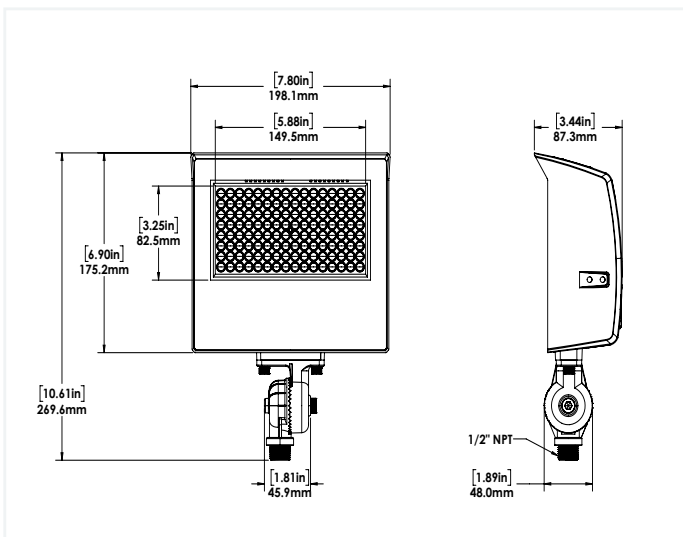
DIMENSIONS:



XFL1
Knuckle Mount



XFL1
Yoke Mount

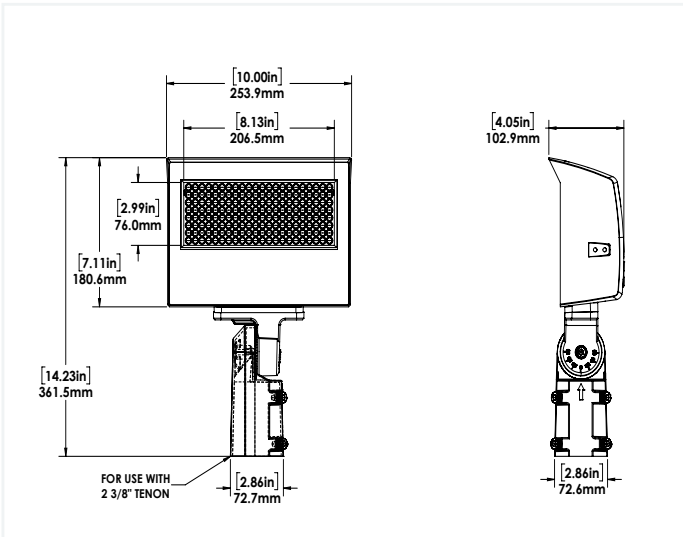


XFL2
Knuckle Mount

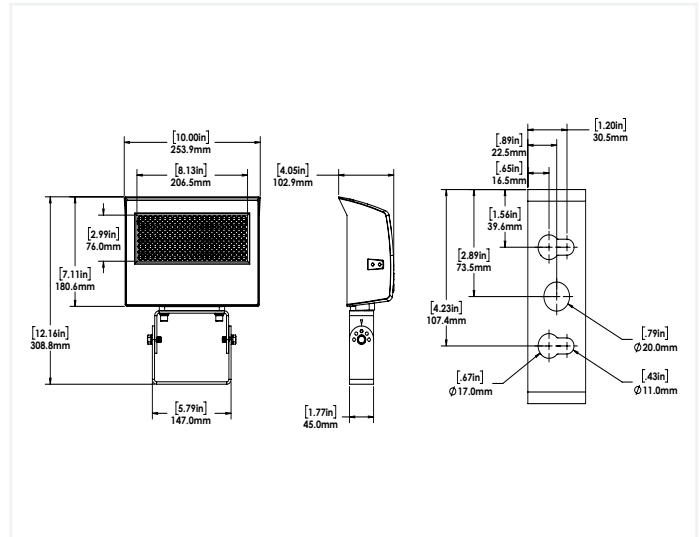


XFL2
Yoke Mount

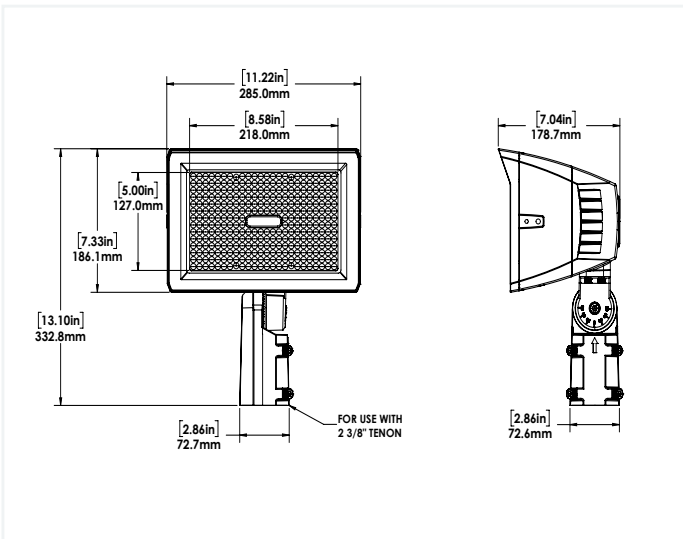




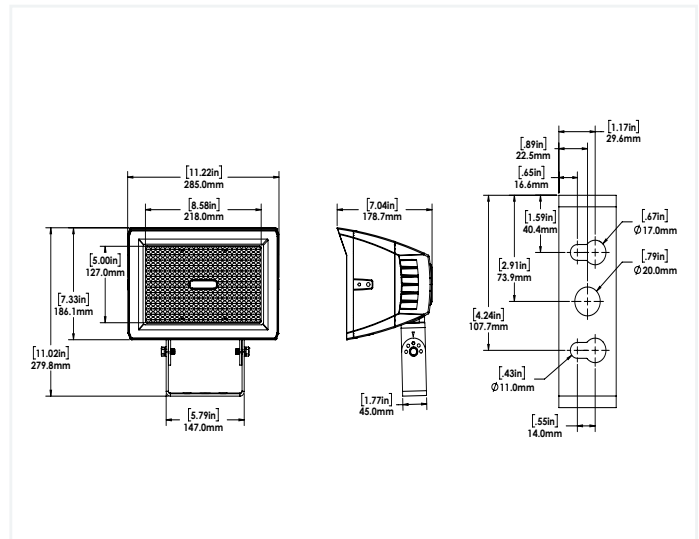
XFL3
Slipfitter



XFL3
Yoke Mount

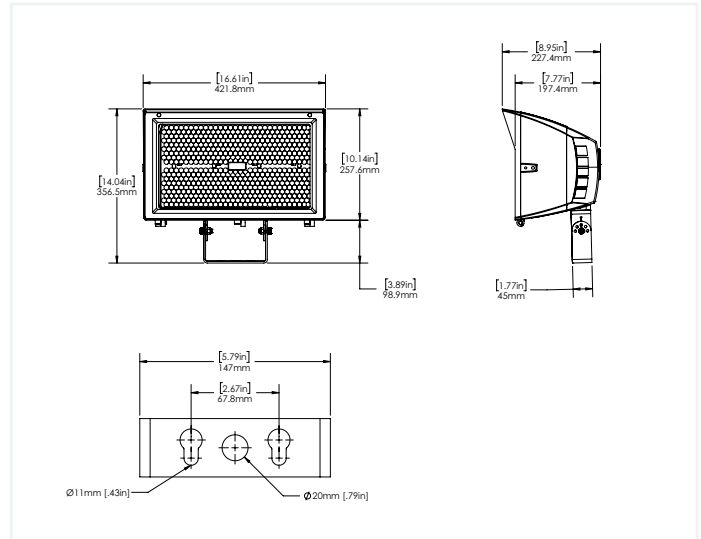
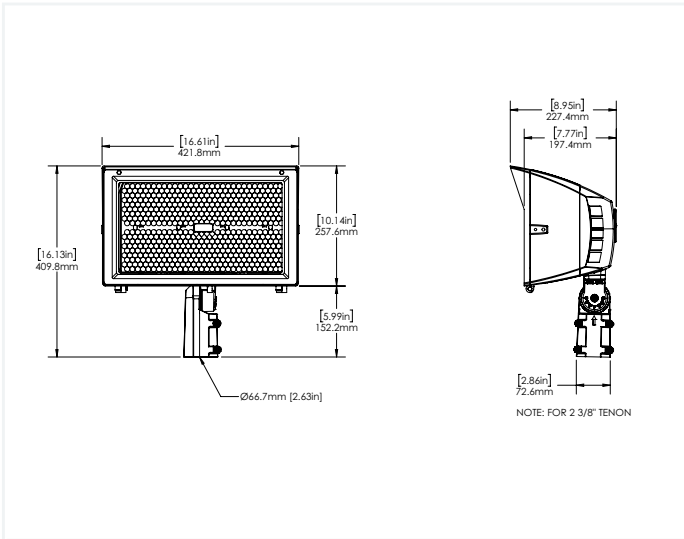


XFL4
Slipfitter



XFL4
Yoke Mount





ORDERING GUIDE:

		H	VK				DIM
Fixture	Wattage	Voltage	Colour Temp.	Optics	Finish	Dimming	
XFL1	LED35A15	H - 120-347V	VK - Selectable (3000K/ 4000K*/ 5000K)	VDW - Adjustable* (Extra Wide - 90°, NEMA7x6) (Wide - 75°, NEMA6x6) (Medium Wide - 55°, NEMA 5x5)	BRZ - Bronze*	DIM - 0-10V Dimming	
XFL2	LED60A35						
XFL3	LED80A60						
XFL4	LED150A100						
XFL5	LED300A150						
				N - Narrow (35°, NEMA 5x5)**			
				VDN - Adjustable *** (35°, NEMA 5x5), (20°, NEMA 4x4)			

PC	FCM
----	-----

Controls	Mounting	Surge Protection
PC - Photocontrol	FCM - Field Convertible (For XFL1/2 Knuckle/ Yoke)	BLANK** For XFL(1/2)
	FCM - Field Convertible (For XFL3/4/5 Slipfitter/Yoke)	SP10 - 10kV* Surge Protection (For XFL3/4/5)

*Standard Configuration

** Only available for XFL1/XFL2/XFL3/XFL4

***Only available for XFL5

Default Factory Setting: 4000K/ highest lumen setting/90° / PC ON

Knuckle attached for XFL1 XFL2. Yoke and Mounting Plate included in the box.
Slip fitter attached for XFL3/XFL4/XFL5. Yoke included in the box

STOCK CODE	DESCRIPTION
081829	XFL1-LED35A15-H-VK-VDW-BRZ-DIM-PC-FCM
081830	XFL2-LED60A35-H-VK-VDW-BRZ-DIM-PC-FCM
081831	XFL3-LED80A60-H-VK-VDW-BRZ-DIM-PC-FCM-SP10
081832	XFL4-LED150A100-H-VK-VDW-BRZ-DIM-PC-FCM-SP10
081833	XFL5-LED300A150-H-VK-VDW-BRZ-DIM-PC-FCM-SP10