

RAB[®]

DESIGN

NS2H-LED25A17

Sensor Activated Flood Light



NITE-SENTRY[®]
SECURITY LIGHT



INTEGRATED MOTION SENSOR

IDEAL APPLICATIONS:

- ✓ Garage Doors
- ✓ Driveways
- ✓ Backyards
- ✓ Commercial Storage Facilities
- ✓ Entrances
- ✓ Perimeters

DESCRIPTION:

The NS2H is a twin head, security flood that is **durable, easy to install, and features versatile controls** to adjust brightness, colour temperature, motion sensor sensitivity, standby time, accent light, and photocontrol settings. The sensor can detect motion 180° wide and 45' in length to offer maximum coverage in large driveways, backyards, residential, and commercial buildings. The NS2H-LED Series is available in **two models (with sensor or without sensor)** and in **two finishes (matte black or white)**.

FEATURES:

Design and Construction:

- Robust die-cast aluminum housing and UV-rated clear polycarbonate lens.
- Non-obtrusive motion sensor eliminates blind spots and creates a sleek, clean design.
- Integrated visor shields to reduce glare and light trespass.
- Fully adjustable heads to direct light where needed.
- Mounts to standard round box (4") as well and octagonal recessed junction box.
- Accent light shaped as a SMILE.
- Closed-back fixture design with an included gasket ensures advanced protection against snow, water, and dust. The included gasket facilitates to seal the gap between the fixture and the junction box.

Performance:

- Fixture delivers a high light output of up to 3300 lumens and efficacy of over 130 lumens per watt.
- Motion sensor has a detection range of 45' when mounted at 8-10'.

Tool less Controls:

- Easy to use controls: adjust brightness, colour temperature, motion sensor sensitivity, standby time, accent light, and photocontrol settings of the fixture. (refer pg. 3 for more details)
- Dusk to dawn accent light in 4000K CCT provides minimal ambient light for added security. Can be turned off if not needed.
- Colour selectable twin head lights: choose 3000K, 4000K, or 5000K using the control dial. Accent light remains at 4000K.
- Integrated photocell for dusk-to-dawn operation.
- Motion sensor can be deactivated through control settings.

Easy-to-Install:

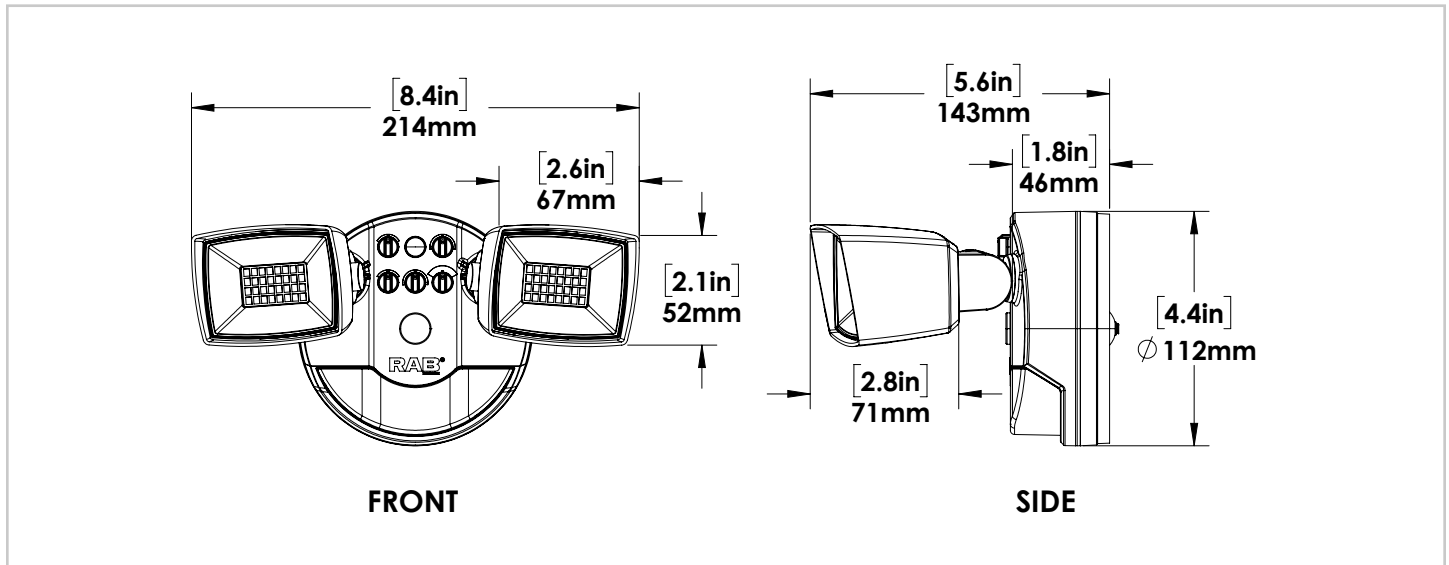
- Fixture can be hung on the mounting bracket using aircraft cable, allowing the installer to complete wiring easily, quickly and safely.

SPECIFICATIONS

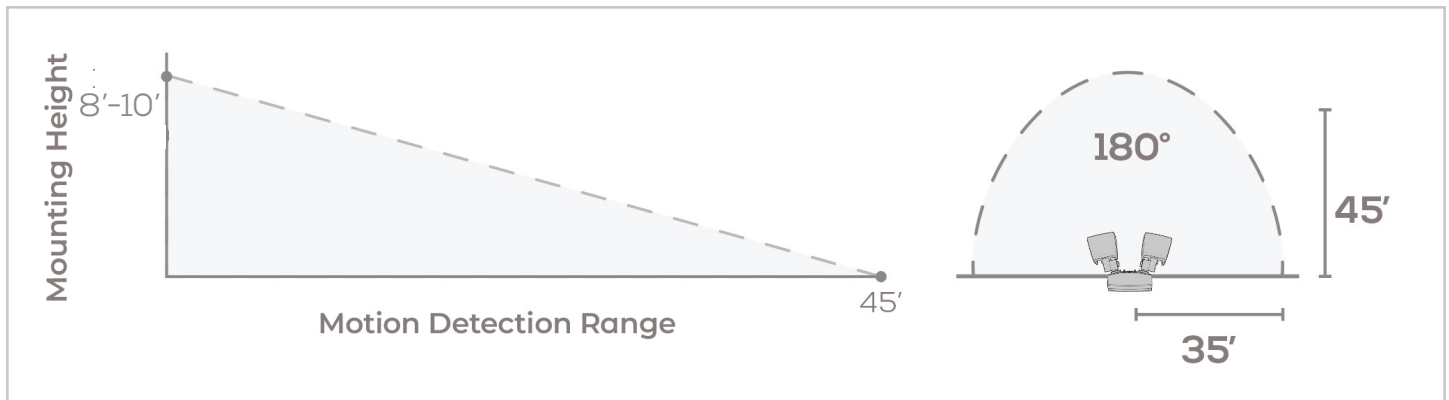
Watts	25W Max, 17W Min
Lumens	3300 Max, 2200 Min
Efficacy	130 lm/W
Voltage	120V
Twin Head Colour Temp.	Selectable (3000K/4000K/5000K)
Accent Light Colour Temp.	4000K (Can be turned ON/OFF)
CRI	80
Total Harmonic Distortion	< 15%
Power Factor	> 0.99
Surge Protection	2kV
Beam Angle	100°
LED Life (L70)	50,000 hours
Finish	Matte Black, White
Housing Details	Die cast aluminum
Lens Details	Clear polycarbonate lens, ultraviolet light resistant, suitable for outdoor use
Mounting	Wall mount
Operating Temp.	-40°C to +50°C (-40°F to 122°F)
Certifications	cULus certified as per UL1598 & CSA C22.2 NO. 250.0:21, Wet Location, IP65, 5 Year Warranty
Motion Sensor and Range	Integrated motion sensor with 45ft (13.5m) range at 8ft to 10ft mounting height



FIXTURE DIMENSIONS:



MOTION SENSOR RANGE:



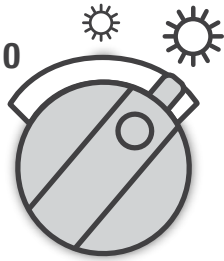
EASY TO USE CONTROLS:



DUSK TO DAWN ACCENT LIGHT:



HOW TO CONFIGURE CONTROLS:



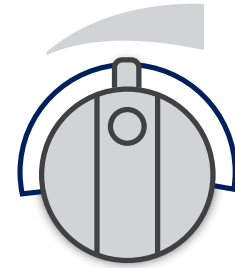
BRIGHTNESS

Controls brightness of accent light & twin head lights:

	<ul style="list-style-type: none"> • Accent Light OFF • Twin head lights activate at 3000 lumens
	<ul style="list-style-type: none"> • Low brightness: 2200 lumens (twin head + accent lights) • Accent light stays ON at 300 lumens
	<ul style="list-style-type: none"> • High brightness: 3300 lumens (twin head + accent lights) • Accent light stays ON at 300 lumens

All dials are shown at factory default setting

Installer can adjust control settings by hand, without the use of tools.

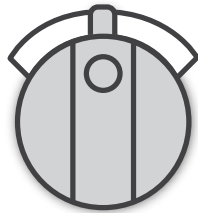


PHOTOCELL

Controls the photocell sensitivity of the accent light and twin head lights:

	<ul style="list-style-type: none"> • Low photocell sensitivity Lights will turn ON at bright ambient
	<ul style="list-style-type: none"> • High photocell sensitivity Lights will turn ON at dark ambient

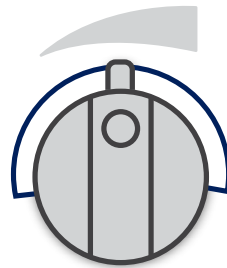
TEST 1M 5M



TIME

Controls light standby time for twin head lights:

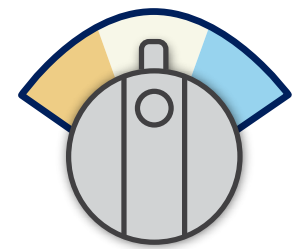
	<ul style="list-style-type: none"> • Test mode (5 seconds) (Light turns off 5 seconds after it stops detecting motion)
	<ul style="list-style-type: none"> • Light turns off 1 minute after it stops detecting motion
	<ul style="list-style-type: none"> • Light turns off 5 minutes after it stops detecting motion



MOTION

Controls sensitivity of the motion sensor for twin head lights:

	<ul style="list-style-type: none"> • Motion sensor OFF
	<ul style="list-style-type: none"> • LOW motion sensor sensitivity setting
	<ul style="list-style-type: none"> • HIGH motion sensor sensitivity setting



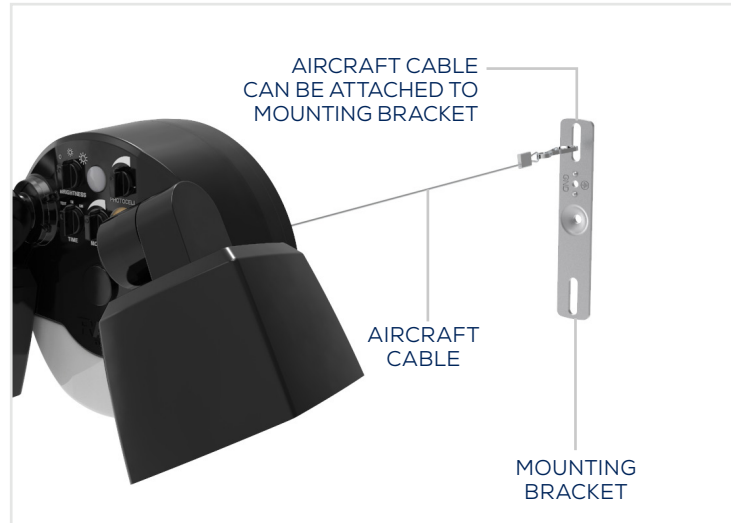
COLOUR

Controls the colour temperature of the twin head lights:

	<ul style="list-style-type: none"> • 3000K Warm White colour temperature
	<ul style="list-style-type: none"> • 4000K Neutral White colour temperature
	<ul style="list-style-type: none"> • 5000K Cool White colour temperature

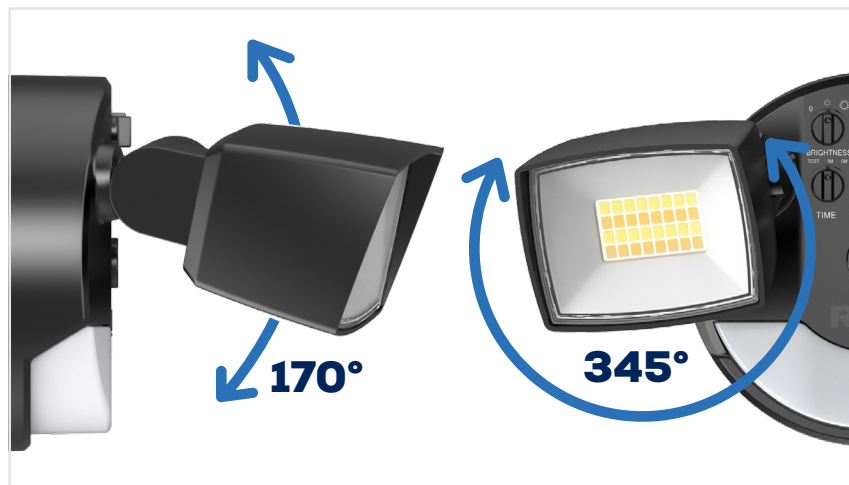
INSTALLER FRIENDLY DESIGN:

- Fixture can be hung on the mounting bracket using aircraft cable, allowing the Installer to complete wiring easily, quickly and safely.
- Package includes mounting hardware and wire connectors required for installation.
- Lightweight fixture: only one mounting bracket is required to complete the installation.
- Mounts to standard round box (4") and octagonal recessed junction box.



FULLY ADJUSTABLE HEADS:

- Tool-less adjustment of twin heads.
- Heads can be adjusted to direct light where needed.
- Twin heads can be rotated up to 345° and tilted up to 170°.



FINISH OFFERING:



Matte Black

NS2H-LED25A17-A-VK-BLK-SMS-PC
Stock code: 087777



White

NS2H-LED25A17-A-VK-WHT-SMS-PC
Stock code: 087778

ORDERING GUIDE:

Stock Code	Description	Order Quantity:
087777	NS2H-LED25A17-A-VK-BLK-SMS-PC	
087778	NS2H-LED25A17-A-VK-WHT-SMS-PC	

SEE ALSO:

The NS2H-LED is also available without the accent light and integrated motion sensor:



**CLICK HERE TO
LEARN MORE**