

RAB[®]

DESIGN

CBT-LED

Center Basket Troffer



2' x 2'



2' x 4'

IDEAL APPLICATIONS

- Offices
- Schools
- Retail
- Foyers

DESCRIPTION:

The CBT-LED Series is a volumetric troffer that creates a bright and even light distribution for your application. Ideal for use in offices, schools, universities, and hospitality applications, this product is great for new construction and for fluorescent replacement projects.

FEATURES:

Construction

- Metal housing with white powder coated paint finish and polycarbonate lens.

Controls

- 0-10V dimming is standard. TRIAC dimming is an option.
- Factory Installed Option: Lutron Athena Wireless Node allows zone and control changes digitally and wirelessly in a smart control system.

Light Performance

- Colour Selectable - Allows installer to choose between 3500K/4000K/5000K CCT.
- Lumen Adjustable - Allows installer to choose between 3 switch settings. (Standard 0-10V dimming configuration only.)
CBT22 can be adjusted to 30W/25W/20W or 4050lm/3500lm/2800lm
CBT24 can be adjusted to 50W/40W/30W or 6680lm/5600lm/4200lm
- TRIAC Dimming only available in 120V with dedicated wattage/lumen setting.
CBT22 - 30W has 4050lm
CBT24-50W has 6680lm
- Fixture has a high Colour Rendering Index of 86.
- Designed with smooth frosted lens to deliver a low-glare, uniform and even light distribution

Mounting

- Standard unit for T-BAR ceilings.

Packaging

- 4 pack (4 fixtures per box): Driver box & lens assembly required.
- Quick two step assembly on the field for 4 pack units.
- 4 pack packaging reduces the amount of cardboard disposal at the job site.
- Single pack: Fully assembled & ready to install.

SPECIFICATIONS	CBT22	CBT24
Size	2'X2'	2'X4'
Wattage	29W Max 20W Min	47W Max 30W Min
Lumens	4050lm Max 2800lm Min	6680lm Max 4200lm Min
Efficacy*	139.56 lm/W	141.31 lm/W
Colour Temp	Variable Kelvin - 3500K/4000K*/5000K	
Voltage	120-347V (0-10V Dimming)* 120V (TRIAC Dimming)	
CRI	86	
Dimming	0-10V Dimming (Dim to Off)* TRIAC Dimming (5%-100%)	
THD*	6.64%	6.86%
Power Factor*	0.998	0.997
Surge Protection	3.75kV (for 0-10V Dimming) 2.5kV (for TRIAC Dimming)	
LED Life (L77)	100,000 Hours	
Housing Finish	White	
Housing Details	Steel Sheet Metal	
Lens Details	Frosted Polycarbonate	
Operating Temp.	-10°C to +40°C (14°F to 104°F)	

Note: Specs above are for standard configuration 0-10V Dimming at 4000K
For spec detail on all SKUs, please refer pg.4.

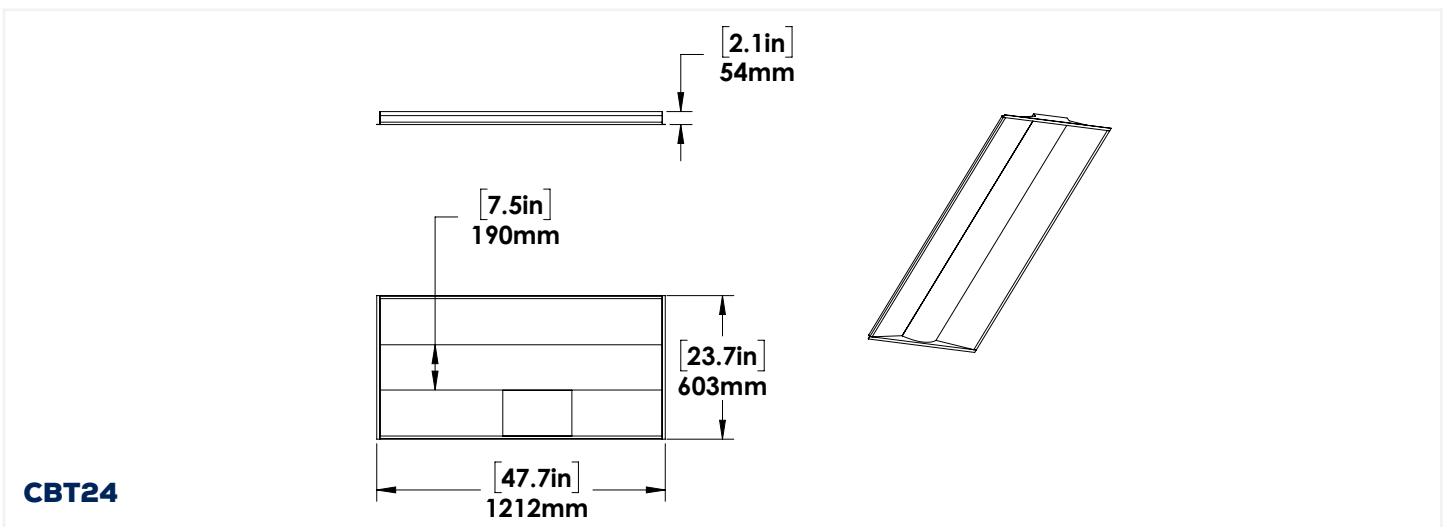
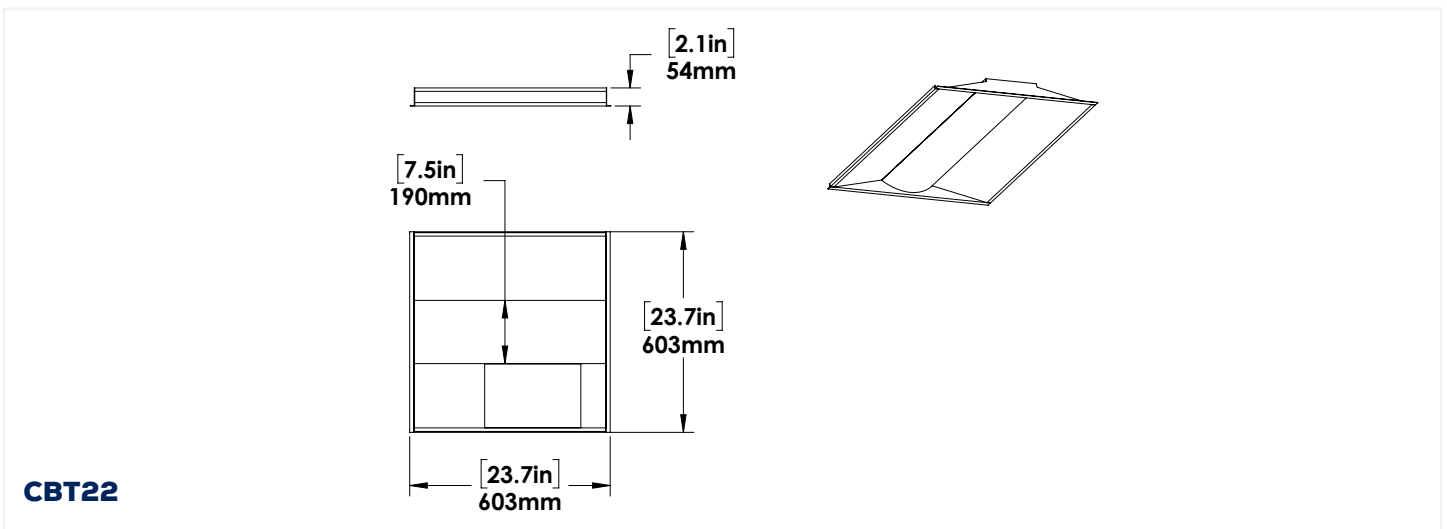
*Standard Configuration



STACKABLE DESIGN & QUICK ASSEMBLY (NEEDED ON 4 PACK UNITS ONLY)



DIMENSIONS:



COLOUR SELECTABLE SWITCH:



AMPERAGE DRAW & SURGE PROTECTION

	CURRENT (A)				
	120V	208V	240V	277V	347V
CBT22-LED	0.26A	0.15A	0.13A	0.12A	0.09A
CBT24-LED	0.42A	0.24A	0.21A	0.18A	0.15A

Note: Only 120V applicable to TRIAC Dimming

LUMEN ADJUSTABLE SETTINGS (FOR 0-10V OPTION)

	CBT22-LED		
Power (W)	30W	25W	20W
Lumens (lm)	4050	3512	2827
	CBT24-LED		
Power (W)	50W	40W	30W
Lumens (lm)	6681	5577	4176

TM-21 ESTIMATED LUMEN MAINTENANCE

	50,000 Hours	75,000 Hours	100,000 Hours
CBT22-LED	87.5%	81.8%	76.5%
CBT24-LED	87.7%	82.1%	76.8%

Life hours are derived from IESNA LM-80 testing report and projected per IESNA TM-21 calculations.

SPECIFICATIONS:

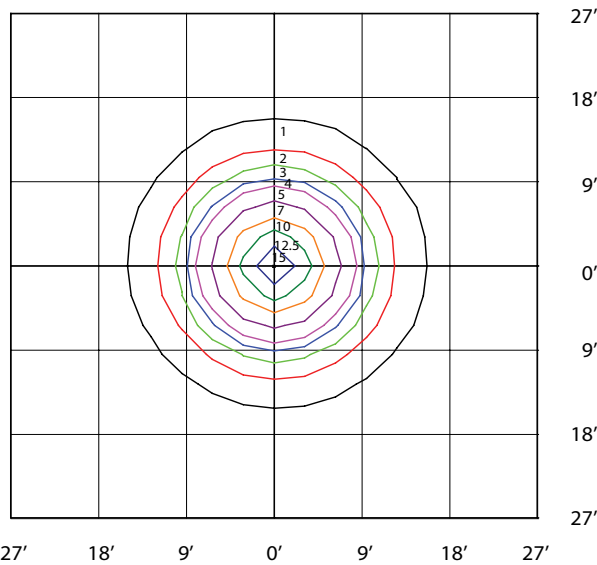
MODEL NUMBER	VOLTAGE (V)	POWER (W)	LIGHT OUTPUT (LM)	EFFICACY (LM/W)	THD (%)	PF	CCT (K)	CRI
CBT22-LED30-A-VK-TRIAC (3500K)	120	32.35	3947.0	122.01	12.94	0.992	3500	86
CBT22-LED30-A-VK-TRIAC (4000K)	120	31.19	4248.1	136.20	12.98	0.991	4000	86
CBT22-LED30-A-VK-TRIAC (5000K)	120	32.52	4208.1	129.40	12.85	0.992	5000	82
CBT24-LED50-A-VK-TRIAC (3500K)	120	45.33	5886.5	129.86	13.79	0.991	3500	87
CBT24-LED50-A-VK-TRIAC (4000K)	120	44.01	6341.8	144.10	13.85	0.990	4000	82
CBT24-LED50-A-VK-TRIAC (5000K)	120	45.41	6234.8	137.30	13.68	0.991	5000	82
CBT22-LED30A20-H-VK-DIM (3500K)	120-347	30.17	3781.4	125.34	6.47	0.998	3500	86
CBT22-LED30A20-H-VK-DIM (4000K)	120-347	29.02	4050.0	139.56	6.64	0.998	4000	86
CBT22-LED30A20-H-VK-DIM (5000K)	120-347	30.11	3912.2	129.93	6.61	0.998	5000	83
CBT24-LED50A30-H-VK-DIM (3500K)	120-347	48.66	6221.0	127.85	6.98	0.997	3500	87
CBT24-LED50A30-H-VK-DIM (4000K)	120-347	47.28	6681.1	141.31	6.86	0.997	4000	86
CBT24-LED50A30-H-VK-DIM (5000K)	120-347	49.58	6608.5	133.29	6.69	0.997	5000	83

PHOTOMETRICS

CBT22-LED30A20-H-VK-DIM
30WATTS 4000K

LUMENS 3764

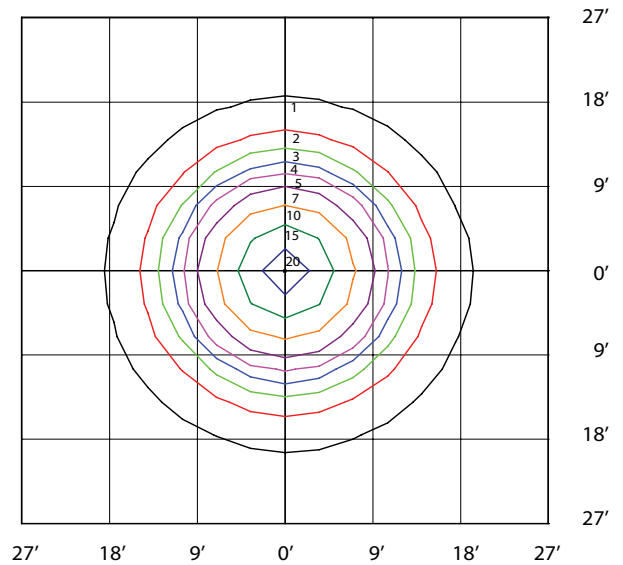
MAX CALCULATED VALUE 17.33 Fc



CBT24-LED50A30-H-VK-DIM
50WATTS 4000K

LUMENS 6266

MAX CALCULATED VALUE 23.50 Fc



ORDERING GUIDE:

VK

Fixture	Wattage	Voltage	Colour Temp.	Dimming	Controls	Quantity/Carton
CBT22	LED30A20*	H - 120-347V	VK - Colour Selectable (3500K/4000K/5000K)	DIM - 0-10V Dimming	Blank - No Controls	Blank - 4 fixtures in a box
CBT24	LED50A30*					
CBT22	LED30	A - 120V		TRIAC - TRIAC Dimming	AWN - Lutron Smart Control**	1 - 1 fixture in a box
CBT24	LED50					

Note: TRIAC Dimming only available in A Voltage (120V) and dedicated wattages (CBT22 - 30W/CBT24-50W)

*Lumen adjustable setting applicable to 0-10V dimming configuration only.

**Factory installed Lutron Athena Wireless Node with RF only (A-WN-D01-RF-WH). Gateway and controller not included.

STOCK CODE	DESCRIPTION	FIXTURES PER BOX
081399	CBT22-LED30A20-H-VK-DIM*	4
081400	CBT24-LED50A30-H-VK-DIM*	4
081401	CBT22-LED30A20-H-VK-DIM-1	1
081402	CBT24-LED50A30-H-VK-DIM-1	1
081671	CBT22-LED30-A-VK-TRIAC*	4
081672	CBT24-LED50-A-VK-TRIAC*	4
081673	CBT22-LED30-A-VK-TRIAC-1	1
081674	CBT24-LED50-A-VK-TRIAC-1	1

*Quick assembly for the drivers and lens onto the fixture in the field for 4 pack SKUs.