



# RHB3S-LED300

## LED Round Highbay

Wide Voltage  
Range  
120-347V



### IDEAL APPLICATIONS

- ✓ Warehouses
- ✓ Factories
- ✓ Gyms
- ✓ Industrial Applications
- ✓ Food and Beverage Processing
- ✓ Commercial Kitchens

### DESCRIPTION:

The Round Highbay provides optimal widespread illumination ideal for warehouses, factories, gyms and other highbay applications. NEMA4X and NSF certified.

### FEATURES:

- Ruggedly designed with die cast aluminum body and polycarbonate lens.
- Standard unit comes with a hook for suspension mounting. Yoke and Junction Box Kits for 1/2" or 3/4" NPT for pendant mounting are optional.
- This fixture is available in 4000K or 5000K.
- Easy to install with mounting hook and 2 meter cab tire for line voltage and 0.5 meter cab tire for 0-10V Dimming.
- Accessory options include Aluminum reflector, Yoke, Wire guard, DC Motion sensor, Remote Control, Battery Back Up, Junction Box Kit with 1/2" or 3/4" NPT adapter for Pendant Mount.
- Optional dual-functionality motion sensor/dimmer with easy plug-and-play install with no wiring needed.
- Optional smart lighting control available: Lutron Athena Wireless smart control allows zone and control changes digitally and wirelessly.
- Ideal for mounting heights of 25-40 feet.

### SPECIFICATIONS

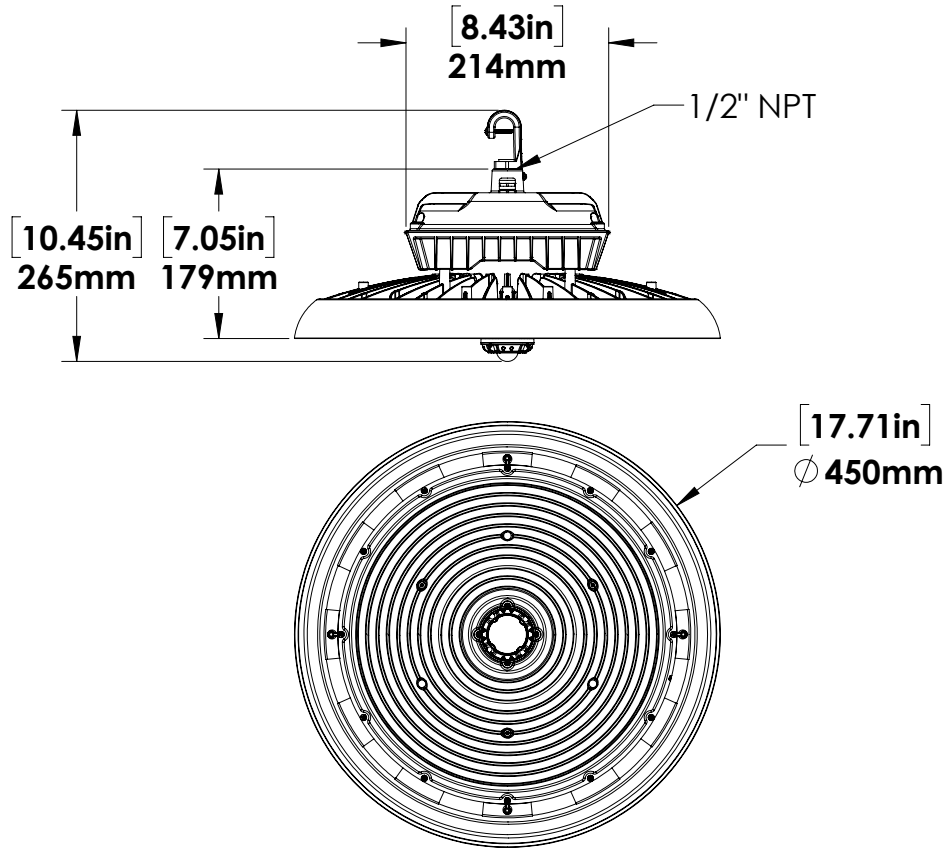
#### RHB3S-LED300

|                         |  |
|-------------------------|--|
| Watts                   | 300.7W   |
| Lumens                  | 43163 Lm   |
| Efficacy                | 143.6 Lm/W   |
| Replaces                | 1000 MH  |
| Voltage                 | 120-347V   |
| Colour Temp             | 4000K, 5000K   |
| CRI                     | 83   |
| Dimming                 | 0-10V Dim (10% to 100%)  |
| THD                     | <15%   |
| PF                      | 0.9  |
| Beam Distribution       | 90 Degree  |
| LED Life (L81)          | 100,000 Hours  |
| Housing Finish          | Black  |
| Housing Details         | Die Cast Aluminum  |
| Lens Details            | Clear Polycarbonate Lens   |
| Mounting                | Suspended*, Pendant, Yoke  |
| Cable Length            | Input Power - 2m Cabtire Cable (3x18 AWG)<br>Dimming - 0.5m Cabtire Cable (2x22 AWG)   |
| Operating Temp.         | Without Motion Sensor: -40°C TO 50°C<br>With Motion Sensor: -30°C TO 50° C<br>With Battery Back Up: 10°C TO 50° C  |
| Options Sold Separately | Yoke, Aluminum Reflector,<br>Wire Guard, DC Microwave Motion Sensor,<br>Battery Back Up, Junction Box Kit with 1/2" or<br>3/4" NPT adapter for Pendant Mount,<br>Lutron Athena Wireless Lighting Control         |
| Certifications          | cULus Listed for Canada and USA, per<br>UL1598, CSA C22.2 NO. 250.0-18, Wet Location,<br>IP65, DLC Premium, NEMA 4X per UL 50E, CSA<br>C22.2 No.94.2:20, NSF (Splash Zone and<br>Non Food Zone), 5 Year Warranty |

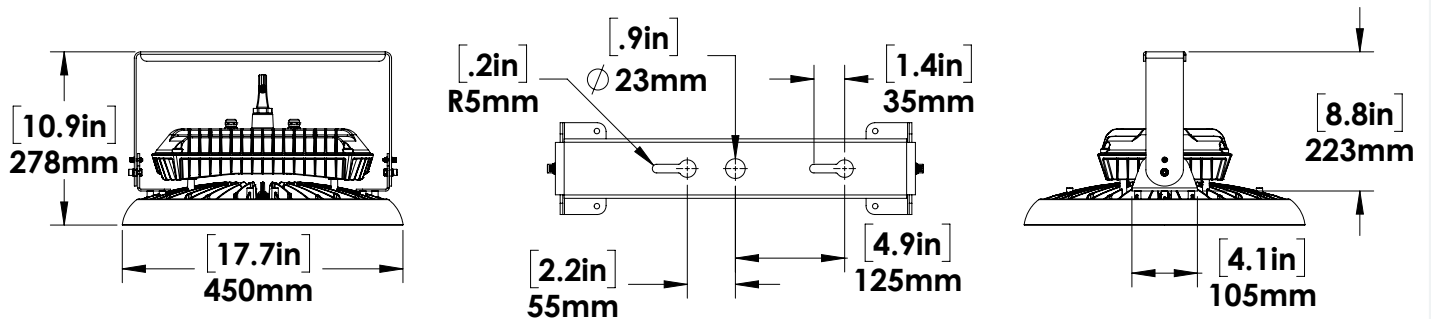
\*Standard Configuration



**DIMENSIONS:**

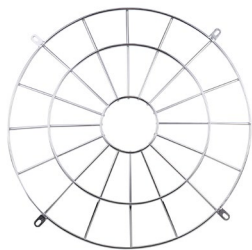
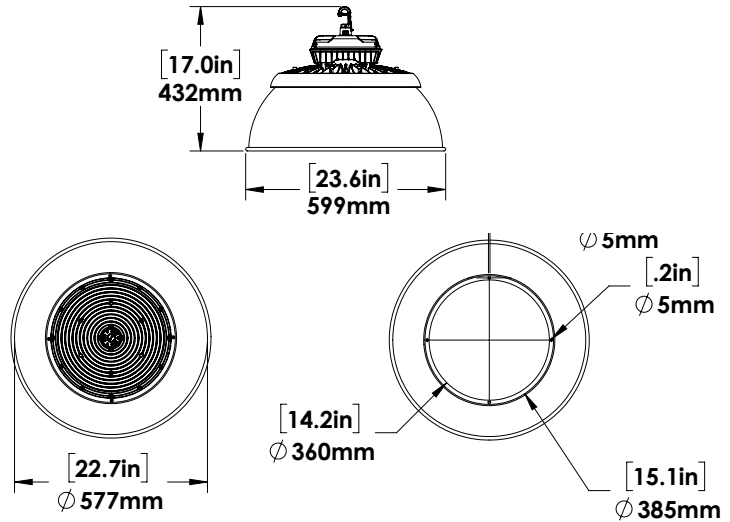


**DIMENSIONS OF FIXTURE WITH YOKE MOUNT**

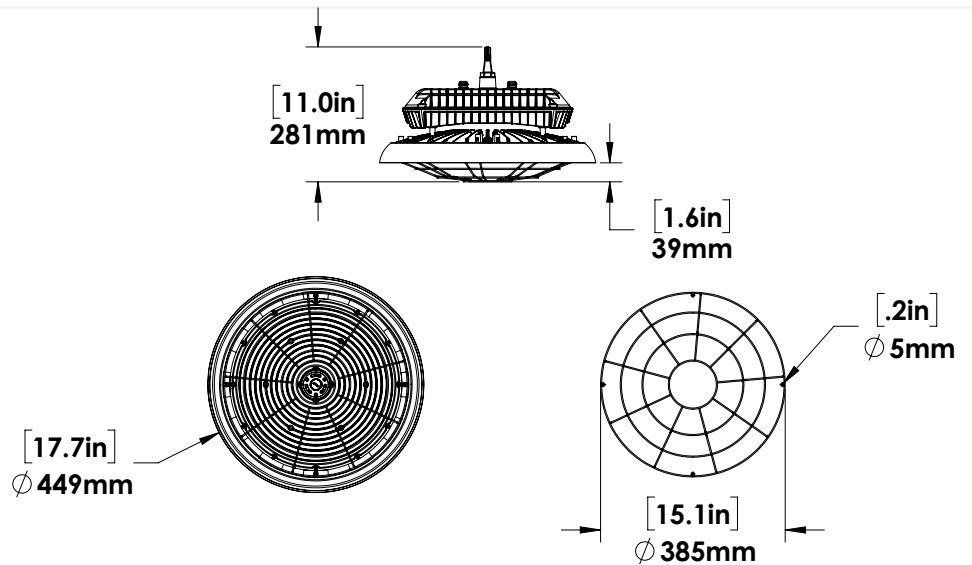




**ALUMINUM REFLECTOR**

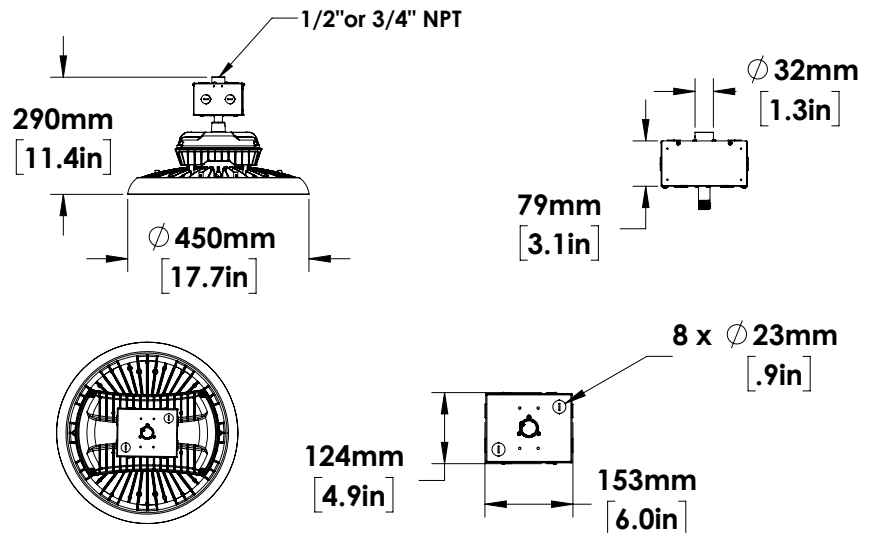


**WIRE GUARD**

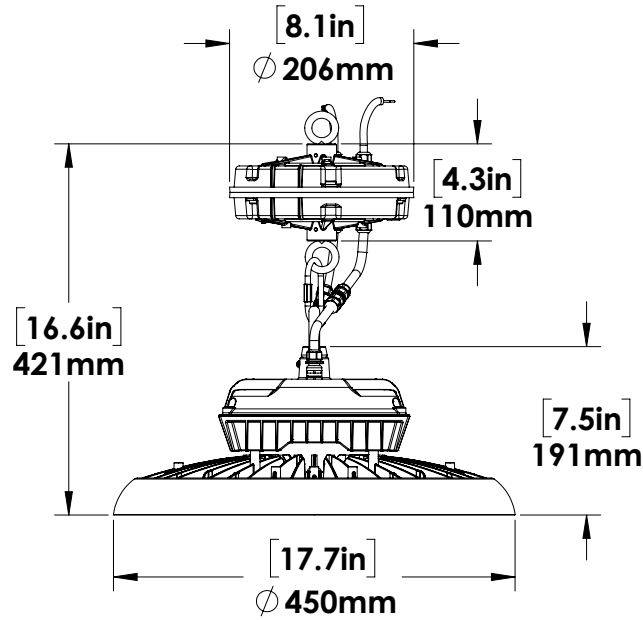


**JUNCTION BOX**

NOTE: Athena Wireless Node is installed in the junction box (not wet location rated) for the option with Lutron Athena Wireless Control system.



## DIMENSIONS OF FIXTURE WITH BATTERY BACK UP:



**Note:** Easy to Install - Cable connectors and hooks are included in the package.

### AMPERAGE DRAW & SURGE PROTECTION

|              | CURRENT (A) |       |       |       |       | INTERNAL SURGE PROTECTION (kV) |
|--------------|-------------|-------|-------|-------|-------|--------------------------------|
|              | 120V        | 208V  | 240V  | 277V  | 347V  | 120-347V                       |
| RHB3S-LED300 | 2.63A       | 1.52A | 1.32A | 1.14A | 0.91A | 6kV                            |

### TM-21 ESTIMATED LUMEN MAINTENANCE

|              | 50,000 Hours | 75,000 Hours | 100,000 Hours |
|--------------|--------------|--------------|---------------|
| RHB3S-LED300 | 90.2%        | 85.7%        | 81.4%         |

### WEIGHTS (lbs)

|              |    |
|--------------|----|
| RHB3S-LED300 | 15 |
|--------------|----|

### SPECIFICATIONS

| Model Number                         | Voltage (V) | Power (W) | Light Output (lm) | Efficacy (lm/W) | THD (%) | PF    | CCT (K) |
|--------------------------------------|-------------|-----------|-------------------|-----------------|---------|-------|---------|
| RHB3S-LED300-H-5K-BLK-DIM-PCL-FS-N4X | 120-347     | 301       | 43163             | 143.6           | <15.0   | 0.900 | 5000    |
| RHB3S-LED300-H-4K-BLK-DIM-PCL-FS-N4X | 120-347     | 302       | 42510             | 140.9           | <15.0   | 0.900 | 4000    |

### LEGEND

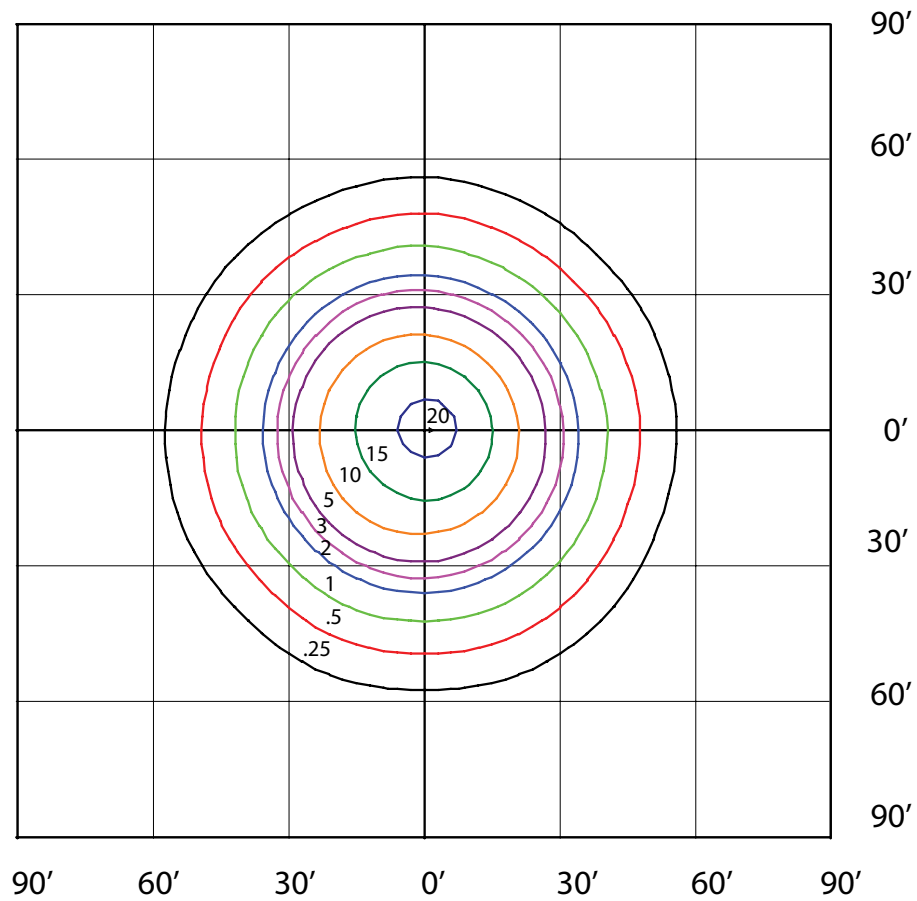
H - 120-347V  
 4K - 4000K, 5K - 5000K  
 DIM - 0-10V Dimming  
 PCL - Polycarbonate Lens  
 FS - NSF Rated  
 N4X - NEMA4X Rated

RHB3S-LED300-B-4K-DIM  
MOUNTED AT 30 FEET

Total Lumens = 42266

Mounting 30 Feet

Maximum Calculated Value = 21.44 Fc



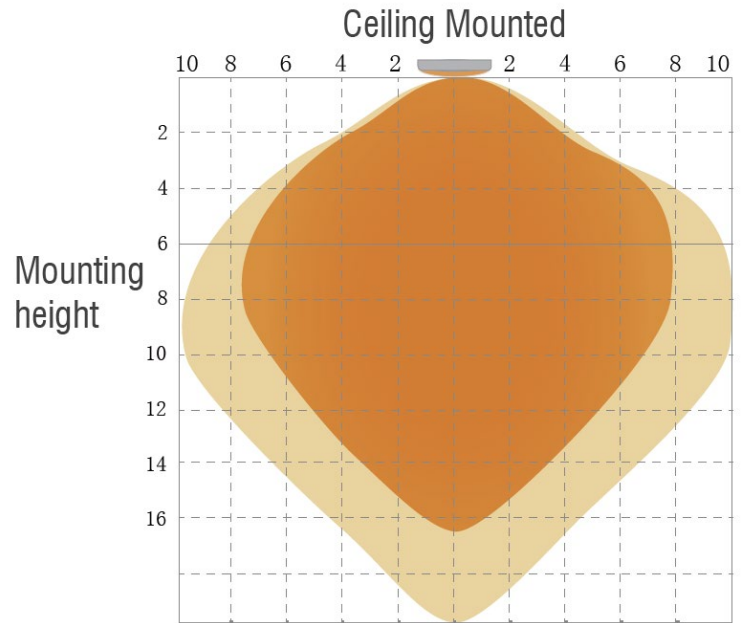
# DC MICROWAVE MOTION SENSOR/ DIMMER SPECIFICATIONS

## SENSOR SPECIFICATIONS



| SPECIFICATIONS         |                                       |
|------------------------|---------------------------------------|
| Operating Voltage      | 12V DC                                |
| Operating Current      | 30mA                                  |
| Output                 | 0-10V DC                              |
| Stand-by Power         | 0.5W                                  |
| Frequency              | 5.8GHz +/-75MHz                       |
| IP Rating              | IP65                                  |
| Detection Angle        | 30° - 150°                            |
| Mounting Height        | Max 15m (50ft)                        |
| Brightness             | 70%/80%/90%/100%                      |
| Sensitivity            | 20%/50%/75%/100%                      |
| Hold time              | 10s/1min/10min/30min                  |
| Daylight threshold     | 10Lux/30Lux/50Lux/100Lux/<br>Disabled |
| Stand-by time          | 1min/30min/60min/+∞                   |
| Stand-by Dimming Level | 10%/20%/30%/50%                       |

| DEFAULT SETTINGS       |          |
|------------------------|----------|
| Brightness             | 70%      |
| Sensitivity            | 20%      |
| Hold time              | 10s      |
| Daylight threshold     | Disabled |
| Stand-by time          | + ∞      |
| Stand-by Dimming Level | 10%      |

## SENSOR DETECTION RANGE (METRE)



# DC MOTION SENSOR/DIMMER REMOTE CONTROL SETTINGS

| SPECIFICATIONS  |   |
|---|---|
| <p>Top Section:<br/>Settings Display Area</p>    | <p><b>ON/OFF</b></p> <p>Long press until the brightness indicator light is on. Then press to permanently turn on and off the fixture.</p>   |
|   | <p><b>BRIGHTNESS</b></p> <p>Sets the highest light fixture brightness when motion is detected.</p>  |
| <p>Bottom Section:<br/>Button Setting Area</p>  | <p><b>HOLD TIME</b></p> <p>The time the light fixture will remain at the brightness setting after it detects motion.</p>  |
|   | <p><b>STANDBY DIM</b></p> <p>The dim level that the light fixture will dim down after the Hold Time has expired.</p>  |
|   | <p><b>STANDBY TIME</b></p> <p>The time the light fixture will remain in the Stand-by dim state before it shuts off. To disable the light from shutting off, select the INFINITY icon.</p>   |
|   | <p><b>SENSITIVITY</b></p> <p>Sets the sensitivity to which the sensor will detect motion.</p>   |
|   | <p><b>DAYLIGHT</b></p> <p>The lux setting that the light fixture will turn on/off. If the ambient lux is more than the defined lux setting, the fixture &amp; sensor function will turn off and remain off until the ambient lux is below the setting. Long press until the daylight indicator light is on. Then press to select the desired lux setting.</p> |
|   | <p><b>SEND</b></p> <p>Uploads the selected remote-control parameters to the light fixture sensor.</p>   |
|   | <p><b>RESET</b></p> <p>Resets the light fixture sensor parameters to the default settings.</p>  |
|   | <p><b>- / +</b></p> <p>Press to increase or decrease brightness from 0% to 100% at increments of 2%.</p>  |
|   | <p><b>TEST</b></p> <p>Press to test the sensor (hold time is 3s).</p>   |

Note: To switch from motion sensor mode to dimmer mode, long press the ON/OFF button until only the BRIGHTNESS option lights up. If all options light up, long press again. Then use the -/+ buttons to adjust the brightness.

## PROGRAMMING INSTRUCTIONS

- Press the ON/OFF button
- Select the desired settings
  - Select the brightness level by pressing the BRIGHTNESS button.
  - Select the hold time by pressing the HOLD TIME button.
  - Select the stand-by dim level by pressing the STANDBY DIM button.
  - Select the stand-by time by pressing the STANDBY TIME button.
  - Select the sensor sensitivity by pressing the SENSITIVITY button.
  - Optional: If daylight sensor is desired, long press the DAYLIGHT button and then choose the lux setting.
- Press SEND- the fixture responds by strobing.

# LED EMERGENCY DRIVER

## TECHNICAL DATA

| ITEM                          | DATA                            |
|-------------------------------|---------------------------------|
| Rated Input Voltage           | 100-347 VAC, 50-60Hz            |
| Input Current                 | 20-100mA                        |
| Input Power (Charging)        | 8W max                          |
| Power Factor                  | 0.6 at 100VAC, 0.5 at 347VAC    |
| Output Power (Discharging)    | 40W                             |
| Battery Pack Voltage/Capacity | LiFePO4 12.8V 6600mAh, 84.48 Wh |
| Recharge Current              | 0-500mA                         |
| Recharge Time                 | 24 Hours                        |
| Discharge Time                | 90 Minutes                      |
| Max. Casing Temperature tc.   | 70°C                            |
| Ambient Temperature Range     | 0°C to 50°C                     |
| Remote Control Range          | 15 metres                       |
| Certification                 | cULus, IP65                     |

Note: Lumen output with emergency battery backup can be calculated by multiplying battery power output (40W) with efficacy of fixture.



### SAFETY FEATURES

- Input over current protection.
- Output over voltage protection.
- Output under current protection.
- Output short circuit protection (Emergency Mode).

### REMOTE CONTROL

- Remote control provided to test the emergency battery back-up.



### TEST SWITCH

- Test the emergency battery back-up.

### LED INDICATOR LIGHT

- Red stable indicating charging mode or charging full
- Red off indicating main power off or discharging mode



## ORDERING GUIDE:

|              |               |          |            |            |            |           |            |
|--------------|---------------|----------|------------|------------|------------|-----------|------------|
| <b>RHB3S</b> | <b>LED300</b> | <b>H</b> | <b>BLK</b> | <b>DIM</b> | <b>PCL</b> | <b>FS</b> | <b>N4X</b> |
|--------------|---------------|----------|------------|------------|------------|-----------|------------|

| Fixture | Wattage | Voltage      | Colour Temp.             | Paint Finish      | Dimming             | Lens                    | NSF Certification | NEMA 4X Certification |
|---------|---------|--------------|--------------------------|-------------------|---------------------|-------------------------|-------------------|-----------------------|
|         | LED300  | H - 120-347V | 4K - 4000K<br>5K - 5000K | BLK - Matte Black | DIM - 0-10V Dimming | PCL- Polycarbonate Lens | FS - NSF          | N4X - NEMA 4X         |

| STOCK CODE | DESCRIPTION                          |
|------------|--------------------------------------|
| 081381     | RHB3S-LED300-H-4K-BLK-DIM-PCL-FS-N4X |
| 081382     | RHB3S-LED300-H-5K-BLK-DIM-PCL-FS-N4X |

### ORDERING GUIDE FOR ACCESSORIES



#### Options Sold Separately

Check the items that you wish to order:

- 081245 - RHB3S ALUMINUM REFLECTOR
- 002348 - RHB3S STEEL WIRE GUARD
- 081244 - RHB3S YOKE BLK
- 002363 - RHB3S JUNCTION BOX PENDANT KIT BLK
- 080909 - MICROWAVE MOTION SENSOR/DIMMER
- 080970 - DC MOTION SENSOR REMOTE CONTROL
- 002318 - RHB3S 120-347V LED EMERGENCY BATTERY BACKUP
- 002390 - RHB3S JUNCTION BOX PENDANT KIT BLK W/AWNR\*

\*Lutron Athena Wireless Node with RF only (A-WN-D01-RF-BL) is installed in a separate junction box (see page 3). Gateway and controller not included.

#### RATINGS TABLE:

|   |   |
|---|---|
|  | <p>NEMA 4X fixtures are for Indoor or outdoor use, including offshore applications. Offers protection against windblown dust and rain. Offers protection from splashing water and hose-directed water. Corrosion-resistant.</p>   |
|  | <p>NSF-approved lighting products must deliver light output (footcandle) levels that are adequate for food preparation and food storage areas. These products must be shatterproof to ensure that no broken glass splinters over food or other equipment. Fixtures must be easily accessible, resistant to the intrusion of dust, water and other hazards, and designed for easy cleaning to minimize the breeding of bacteria or mold.</p> |