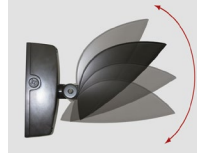


The VEK2-LED82 is an adjustable multi-purpose fixture that replaces traditional wall packs and floods. The head can be aimed up or down where light is needed. The fixture includes a photocell for dusk to dawn operation.



### APPLICATIONS

**Ideal for use on outdoor walls along perimeters of buildings, townhouses, condominiums, schools. Can be used as an upright in indoor/canopy applications. (Do not use as an outdoor upright.)**

<b>Project</b>	
<b>Type</b>	
<b>Date</b>	
<b>Notes</b>	

### SPECIFICATIONS

#### Construction

Die cast aluminum housing with tamper proof stainless steel hardware. Clear tempered glass lens with a gasket. There are 5 conduit entries and the unit has a leveling bubble on the back box for proper alignment.

#### LED configuration

The VEK2-LED82 has Citizen LED COBs that deliver 10,560 lumens. The LEDs have a colour temperature of 5000K, a CRI of greater than 70 and an operating temperature range of -40° C to +40° C. 4000K and 3000K also available.

#### Mounting

Wall mount, ceiling mount or ground mounted on a concrete pad. Unit can be mounted to standard junction boxes.

#### Adjustable head

The fixture can be aimed 0° - 90° delivering more lumens on the ground where needed.

#### Electrical

Total system wattage of the unit is 82W. The unit has high efficiency drivers that operate at 120V standard. 277V and 347V also available.

#### Finish

Standard finish is Black, Bronze or White. Please consult factory for custom colour.

#### Photocell

Included for dusk to dawn operation or custom requirements.

#### Accessories

On/Off Motion Sensor, Dimmable Motion Sensor, Goof Tray

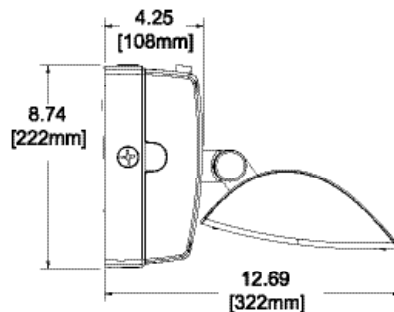
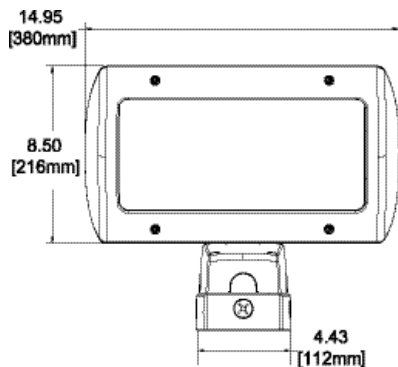
#### Sign light

The VEK Series of fixtures can also be used with various arms for sign lighting. Contact us to learn more.

<b>Input Watts</b>	<b>82W</b>
<b>Lumens</b>	<b>10,560</b>
<b>Efficacy</b>	<b>127 lumens per watt</b>

<b>Operating Temperature</b>	<b>-40°C to +40°C</b>
<b>Certification</b>	<b>cULus</b>
<b>Warranty</b>	<b>5 Years</b>
<b>LED life</b>	<b>100,000 hours</b>

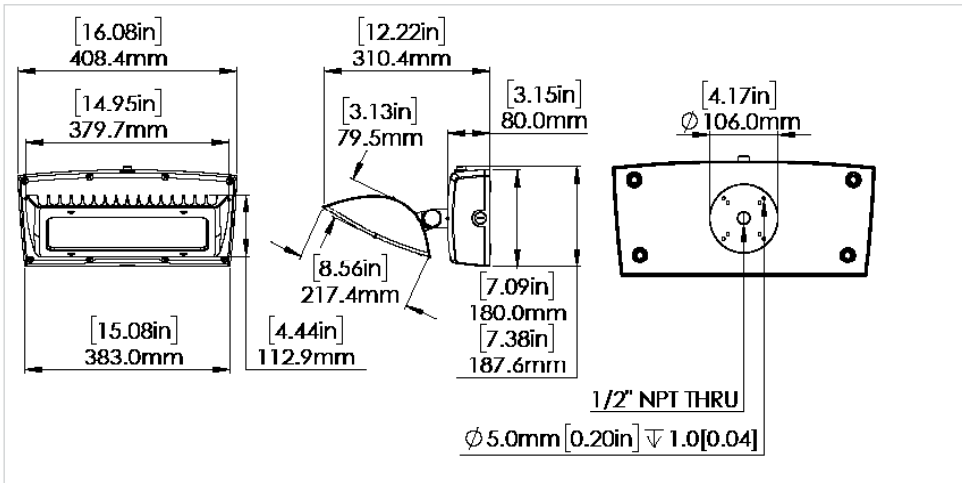
### DIMENSIONS



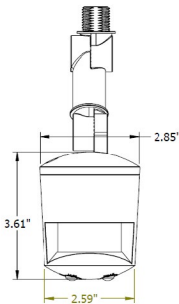
With Optional Motion Sensor



VEK WITH BATTERY BACKUP



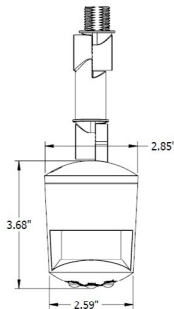
MS180S On/Off Sensor (SMS)



**On/Off Sensor**

The MS180S is a fully adjustable motion sensor that can be set for dusk to dawn operation or other custom applications.

MS180DIM 0 - 10V Dimmable Smart Sensor (DMS)



**Dimmable Smart Sensor**

The MS180DIM is a fully adjustable, dimmable smart sensor that allows you to provide reduced light levels as low as 10% when no motion is detected.

**FEATURES: DIMMABLE SMART SENSOR**

- Adjustable light levels ensure fixture is fully on when needed and dimmed or off when not.
- Smart dimming reduces electrical load and heat generated by the fixture resulting in increased fixture life.
- Sensor has an extension arm with two rotatable joints that allow mounting from the bottom conduit access or the side conduit access of fixture.
- Daylight sensor without smart dimming (MS180S) also available in the same design.

SIGN LIGHT OPTION



**Wall mount sign light**

Also available as a roof mount.

Contact us to learn more about sign lighting options.

(order separately)

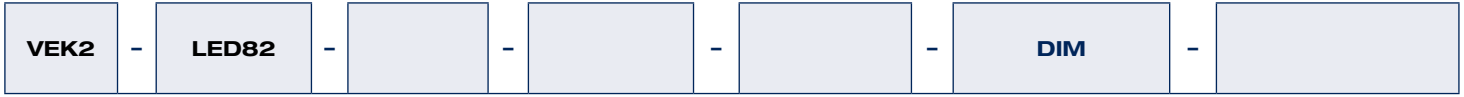


**Goof Tray**

VEK with a Goof Tray to hide damage and discoloration on mounting surface.

(order separately)

ORDERING GUIDE



**VOLTAGE**

- A - 120V\*
- F - 277V
- C - 347V

**COLOUR TEMP**

- 5K - 5000K\*
- 4K - 4000K
- 3K - 3000K

**FINISH**

- BRZ - BRONZE\*
- WHT - WHITE\*
- BLK - BLACK\*
- CC - Custom Colour

**DRIVER**

- DIM - Dimmable\*

**OPTIONS**

- PC - Photocell\*
- SMS - On/Off Sensor
- DMS - Dimmable smart sensor
- BBK - Battery Backup

\* Standard configuration

Consult customer service to add the dimmable smart sensor (MS180DIM) or the on/off sensor (MS180S) to the VEK fixture as a combined unit. Goof tray accessories can be ordered separately.