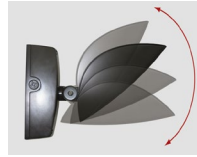


The VEK2-LED65 is an adjustable multi-purpose fixture that replaces traditional wall packs and floods. The head can be aimed up or down where light is needed. The fixture includes a photocell for dusk to dawn operation.



APPLICATIONS

Ideal for use on outdoor walls along perimeters of buildings, townhouses, condominiums, schools. Can be used as an upright in indoor/canopy applications. (Do not use as an outdoor upright.)

Project	
Type	
Date	
Notes	

SPECIFICATIONS

Construction

Die cast aluminum housing with tamper proof stainless steel hardware. Clear tempered glass lens with a gasket. There are 5 conduit entries and the unit has a leveling bubble on the back box for proper alignment.

LED configuration

The VEK2-LED65 has Citizen LED COBs that deliver 8,375 lumens. The LEDs have a colour temperature of 5000K, a CRI of greater than 70 and an operating temperature range of -40° C - to +40°C. 4000K and 3000K also available.

Mounting

Wall mount, ceiling mount or ground mounted on a concrete pad. Unit can be mounted to standard junction boxes.

Adjustable head

The fixture can be aimed 0° - 90° delivering more lumens on the ground where needed.

Electrical

Total system wattage of the unit is 64.4W. The unit has high efficiency drivers that operate at 120V standard. 277V and 347V also available.

Finish

Standard finish is Bronze, Black or White. Please consult factory for custom colour.

Photocell

Included for dusk to dawn operation or custom requirements.

Accessories

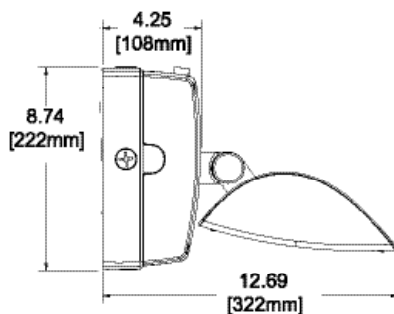
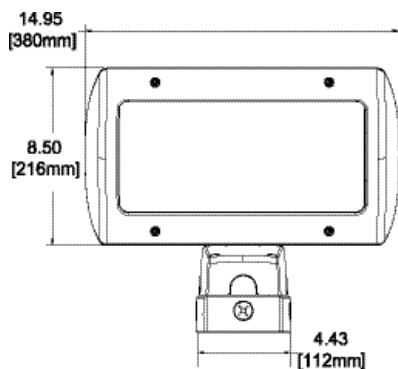
On/Off Motion Sensor, Dimmable Motion Sensor, Goof Tray

Sign light

The VEK Series of fixtures can also be used with various arms for sign lighting. Contact us to learn more.

Input Watts	64.4W
Lumens	8,375
Efficacy	130 lumens per watt
Operating Temperature	-40°C to +40°C
Certification	cULus
Warranty	5 Years
LED life	100,000 hours

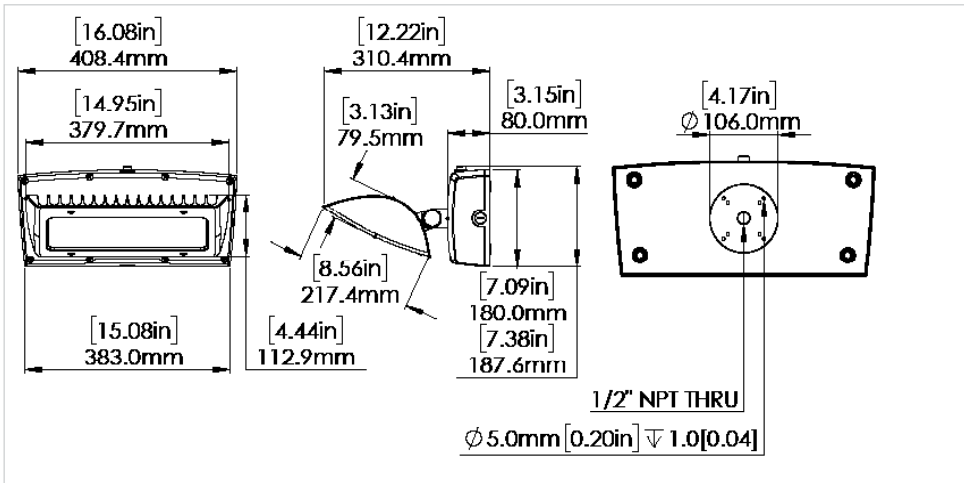
DIMENSIONS



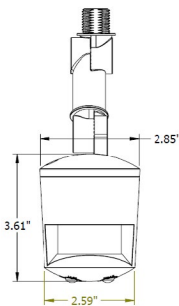
With Optional Motion Sensor



VEK WITH BATTERY BACKUP



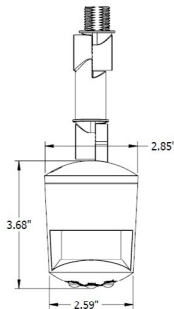
MS180S On/Off Sensor (SMS)



On/Off Sensor

The MS180S is a fully adjustable motion sensor that can be set for dusk to dawn operation or other custom applications.

MS180DIM 0 - 10V Dimmable Smart Sensor (DMS)



Dimmable Smart Sensor

The MS180DIM is a fully adjustable, dimmable smart sensor that allows you to provide reduced light levels as low as 10% when no motion is detected.

FEATURES: DIMMABLE SMART SENSOR

- Adjustable light levels ensure fixture is fully on when needed and dimmed or off when not.
- Smart dimming reduces electrical load and heat generated by the fixture resulting in increased fixture life.
- Sensor has an extension arm with two rotatable joints that allow mounting from the bottom conduit access or the side conduit access of fixture.
- Daylight sensor without smart dimming (MS180S) also available in the same design.

SIGN LIGHT OPTION



Wall mount sign light

Also available as a roof mount.

Contact us to learn more about sign lighting options.

(order separately)



Goof Tray

VEK with a Goof Tray to hide damage and discoloration on mounting surface.

(order separately)

ORDERING GUIDE

VEK2	-	LED65	-		-		-	DIM	-	
		VOLTAGE		COLOUR TEMP		FINISH		DRIVER		OPTIONS
		A - 120V*		5K - 5000K*		BRZ - BRONZE*		DIM - Dimmable*		PC - Photocell*
		F - 277V		4K - 4000K		BLK - BLACK				SMS - On/Off Sensor
		C - 347V		3K - 3000K		WHT - WHITE				DMS - Dimmable smart sensor
						CC - Custom Colour				BBK - Battery Backup

* Standard configuration

Consult customer service to add the dimmable smart sensor (MS180DIM) or the on/off sensor (MS180S) to the VEK fixture as a combined unit. Goof tray accessories can be ordered separately.