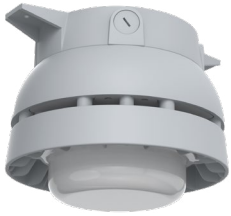




# NMV2-LED30A12

Non-Metallic, Class Rated, Marine Listed Fixture

- C1
- D2
- ZONE 2
- CII
- D2
- ZONE 22



Ceiling Mount



Wall Mount



Stanchion Mount



Pendant Mount



Yoke Mount

## IDEAL APPLICATIONS

- Marine Applications
- Mines
- Water Treatment Plants
- Agricultural Applications
- Petroleum Refineries
- Grain Elevators
- Ethanol Facilities
- Chemical Plants
- Food Processing Plants
- Textile Mills
- Power Generation Plants
- Confectionary Plants
- Bakeries
- Saw/Woodworking Mills

**Designed & Assembled in Canada**

**Quick Ship Available**

**COLOUR LENSES AVAILABLE**

Red

Green

Blue

Amber

## DESCRIPTION

NMV2-LED is a non-metallic vaporproof fixture that is compact in design, class-rated, marine listed and can be used in a variety of hazardous environments.

## FEATURES:

- Compact, lightweight fixture that can be installed in cramped spaces.
  - Glass fiber reinforced polyamide housing with a frosted polycarbonate lens tested to UL746C for water, immersion, and UV light exposure.
  - Lumen adjustable ( Max 3382 Lm, Min 1348 Lm).
  - Five 1/2" NPT conduit entries (1 on each side and 1 on the back).
  - High ambient temperature rating of 55°C.
  - Class I, Div 2 and Class II, Div 2 Hazloc Temperature rating of T4A at higher ambient temperature. Class I, Zone 2, Groups IIA, IIB and IIC, T4, Zone 22
  - TYPE 4X and 5VA Flame Rated.
  - Fixture offers a high surge protection of 6KV.
  - Multiple fixtures can be daisy chained using metallic or non-metallic conduits. 40 fixtures can be connected in one run.
  - Ceiling, wall, and stanchion mount fixtures are factory assembled. Pendant and yoke mount fixtures require field assembly. To order pendant or yoke mount fixture, order the ceiling mount fixture with pendant or yoke mount kits.
- Contractor friendly design**
- Suspend the fixture using the aircraft cables for easier installation using both hands.
  - Fast and easy connection of wires using quick disconnect plugs.
  - Use alignment marks provided on the fixture for quick alignment during installation.

## CERTIFICATIONS:

(FOR MORE INFORMATION ABOUT THE CERTIFICATIONS REFER TO PAGE 2-3)



Certified Marine Non Recessed Luminaire Outside Type (Salt Water)  
Luminaires for Use in Hazardous Locations

SPECIFICATIONS		NMV2-LED30A12
Input Power	30.1W Max, 12W Min	
Lumens	3382 lm Max, 1348 lm Min	
Efficacy	112.37 lm/W	
Voltage	120-277V	
CCT	3000K, 4000K*, 5000K	
CRI	75	
Dimming	0-10V Dimming (10%-100%)	
Total Harmonic Distortion	5.10%	
Power Factor	0.96	
Surge Protection	6kV	
Beam Distribution	Type VS	
BUG Rating	B1-U3-G1	
LED Life (L80)	100,000 hours	
Housing Colour	Gray	
Housing Details	Polyamide PA6 - B3U50G6(t)(f1) Flame Class Rating - V-0, 5VA in accordance with UL 94 Ultraviolet Light Resistant, Suitable for outdoor use in accordance with UL 746C	
Lens Details	Polycarbonate Frosted - White*, Red, Green, Amber, Blue Ultraviolet Light Resistant, Suitable for outdoor use in accordance with UL 746C Flame Class Rating V-0, 5VA pin accordance with UL 94	
Mounting	Ceiling, Wall, Stanchion(25°), Pendant, Yoke	
Conduit Entries	Ceiling, Wall, Pendant, Yoke - Five 1/2" NPT, Stanchion - 1 1/4" NPS	
Ambient Operating Temperature	-40°C to 55°C (-40°F to 131°F)	
Weight	7.95 lbs (3.6kg)	
Factory Installed Options	Frosted Coloured Lens - Red, Green, Amber, Blue	
Options Sold Separately	Pendant Mount Kit, Yoke Mount Kit	
Certifications	cULus listed in accordance with UL 1598 & CSA C22.2 No. 250.0-08 Luminaires, UL 844 & CSA C22.2 No. 137-18 Luminaires for Use in Hazardous Class I, Div 2, Groups A, B, C, D (T4A), Class I, Zone 2, Groups IIA, IIB and IIC, (T4) Class II, Div 2, Groups F, G (T4A), Zone 22 UL 1598A Installation on Marine Vessels, NEMA 4X certified as per UL 50E, Wet Locations, IP66 Rated ABS (American Bureau of Shipping) certified, DLC Standard (Indoor & Outdoor Application)	

\*Standard Configuration

## UNDERSTANDING THE CERTIFICATIONS

CERTIFICATION	DESCRIPTION
TYPE 4X Rated (Evaluated and rated for NEMA4X)	Enclosures constructed for either indoor or outdoor use to provide a degree of protection to personnel against access to hazardous parts; to provide a degree of protection of the equipment inside the enclosure against ingress of solid foreign objects (windblown dust); to provide a degree of protection with respect to harmful effects on the equipment due to the ingress of water (rain, sleet, snow, splashing water, and hose directed water); that provides an additional level of protection against corrosion; and that will be undamaged by the external formation of ice on the enclosure.
UL1598A	Certified Marine Non-Recessed Luminaire Outside Type (Salt Water)
UL1598	Certified Surface Mounted Luminaire
American Bureau of Shipping (ABS)	Certified to be installed in Marine & Offshore Facilities in Hazardous location.
UL844 Class I, Div 2, Groups A, B, C, D (T4A) Class II, Div 2, Groups F, G (T4A)	The surface temperature of the fixture will not rise above 120 °C.
5VA Flame rated	This is the highest and most flame retardant level of the UL 94 ratings. Burning stops within 60 seconds on a vertical part not allowing for drops of plastic that are not in flames.
Approved for Wet Locations	Tested and approved for use in outdoor application (direct exposure to sun, rain, liquid or water splashed against the fixture.)

# UNDERSTANDING HAZARDOUS LOCATION RATING:

UL.COM/HAZLOC

HAZARDOUS LOCATION RATINGS		
Class	Division	Group
Class I: Explosive Gas Atmospheres	Division 2: Where ignitable concentrations of flammable gases, flammable liquid-produced vapors, or combustible liquid-produced vapors ARE NOT LIKELY TO EXIST under normal operating conditions.	<p>Group A: Atmosphere containing acetylene.</p> <p>Group B: Atmosphere containing a flammable gas, a flammable liquid produced vapor, or a combustible liquid produced vapor mixed with air that may burn or explode, having either a MESG (Maximum Experimental Safe Gap) value less than or equal to 0.45 mm or a MIC (Minimum Igniting Current) ratio less than or equal to 0.40 - such as hydrogen or fuel and combustible process gases containing more than 30% hydrogen by volume - or gases of equivalent hazard such as butadiene, ethylene oxide, propylene oxide and acrolein.</p> <p>Group C: Atmosphere containing a flammable gas, a flammable liquid produced vapor or a combustible liquid-produced vapor whose MESG is greater than 0.75 mm or MIC ratio is greater than 0.40 and less than 0.80 - such as carbon monoxide, ether, hydrogen sulfide, morphine, cyclopropane, ethyl, isoprene, acetaldehyde and ethylene or gases of equivalent hazard.</p> <p>Group D: Atmosphere containing flammable gas, flammable liquid produced vapor, or combustible liquid produced vapor mixed with air that may burn or explode, having either a MESG value greater than 0.75 mm or a MIC ratio greater than 0.80 - such as gasoline, acetone, ammonia, benzene, butane, ethanol, hexane, methanol, methane, vinyl chloride, natural gas, naphtha, propane or gases of equivalent hazard.</p>
Class II: Explosive Dust Atmospheres	Division 2: Where ignitable concentrations of combustible dust ARE NOT PRESENT IN THE AIR under normal operating temperatures	<p>Group F: carbonaceous dust</p> <p>Group G: non-conductive dust</p>

TEMPERATURE RATINGS FOR NMV			
Model	Maximum Rated ambient	Class I Division 2 Groups A,B,C,D	Class II Division 2 Groups F,G
NMV2-LED30A12	55°C	Max external luminaire surface temperature in gaseous environments = 120°C	Max external luminaire surface temperature in dust environments = 120°C

## ADDITIONAL SPECIFICATIONS:

AMPERAGE DRAW & SURGE PROTECTION					
	Current (A)				Surge Protection (kV)
	120V	208V	240V	277V	120-277V
NMV2-LED30A12	0.27A	0.16A	0.14A	0.12A	6kV

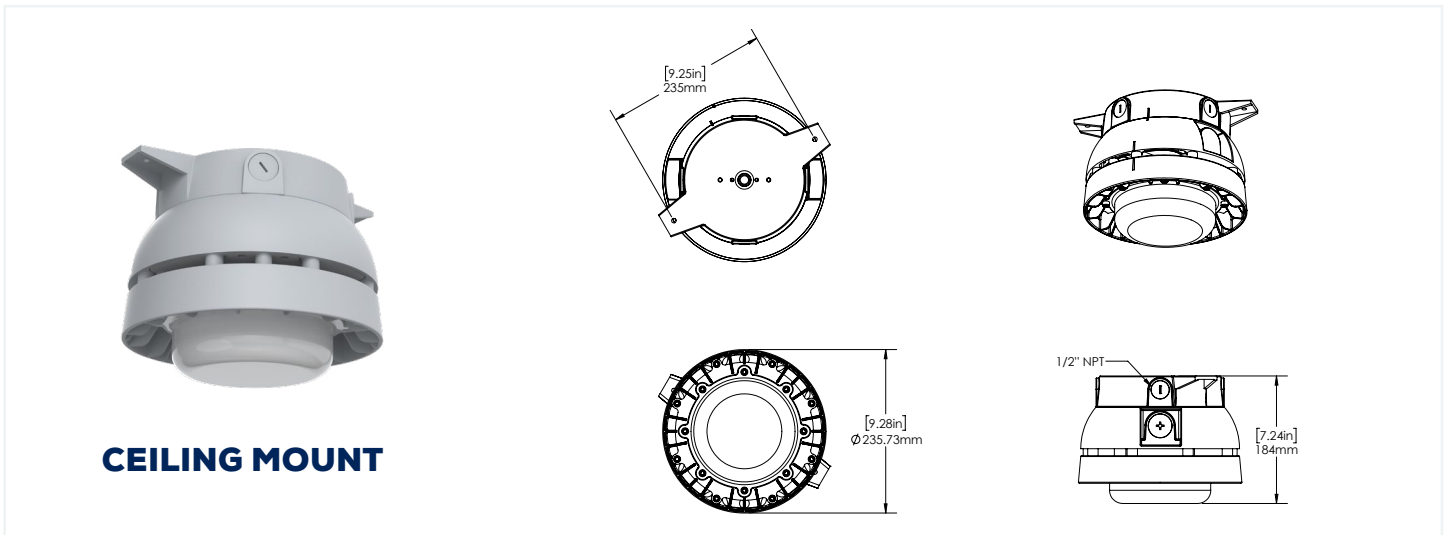
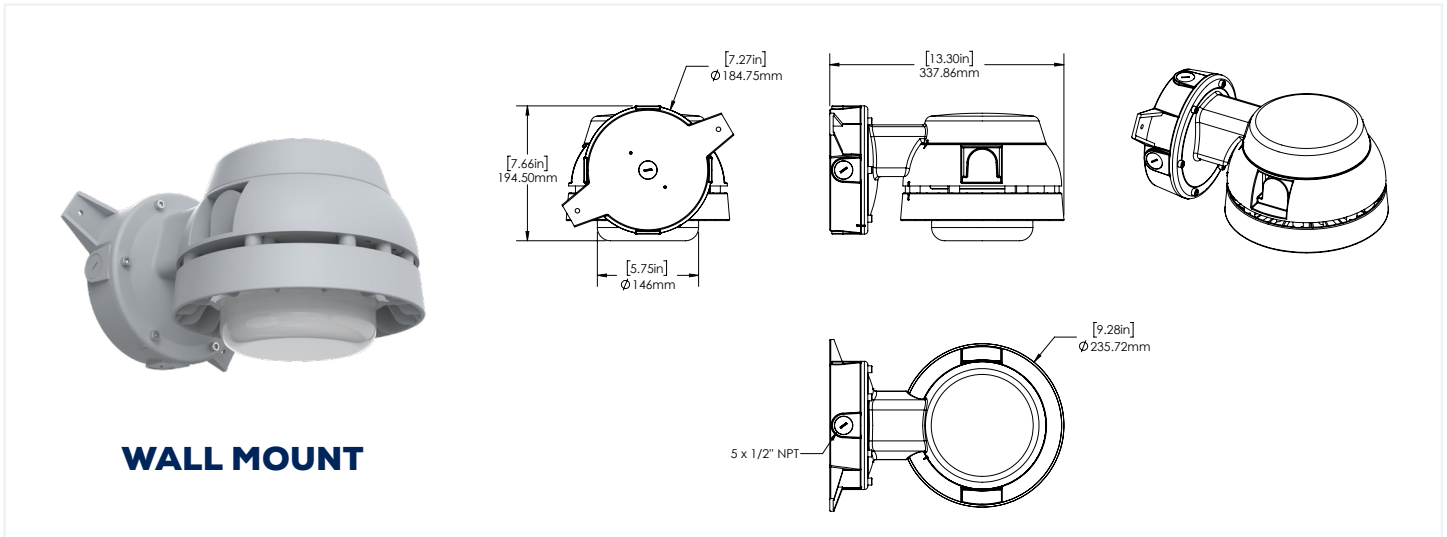
WEIGHT	
	Weight
NMV2 - Ceiling Mount	7.95 lbs
NMV2 - Wall Mount	9.15 lbs
NMV2 - Stanchion Mount	7.15 lbs
NMV2 - Pendant Mount	8.08 lbs
NMV2 - Yoke Mount	9.38 lbs

ADJUSTABLE LUMEN SETTINGS			
POWER	30W	25W	12W
LUMENS	3382 lm	2818 lm	1348 lm

TM-21 ESTIMATED LUMEN MAINTENANCE			
	50,000 Hours	75,000 Hours	100,000 Hours
NMV2-LED30A12	89.9%	85.1%	80.5%

Life hours are derived from IESNA LM-80 testing report and projected per IESNA TM-21 calculations.

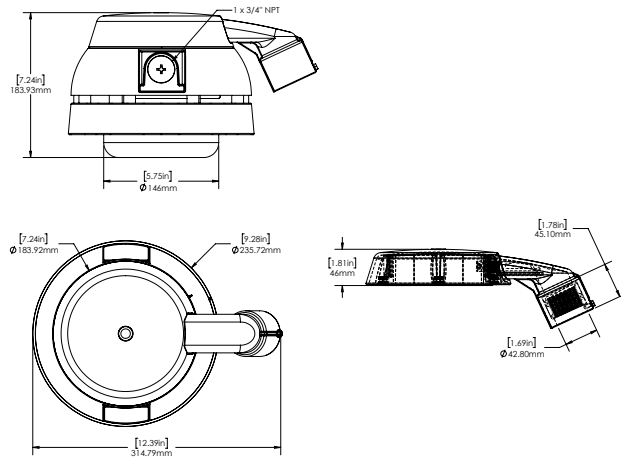
## DIMENSIONS:



**DIMENSIONS:**

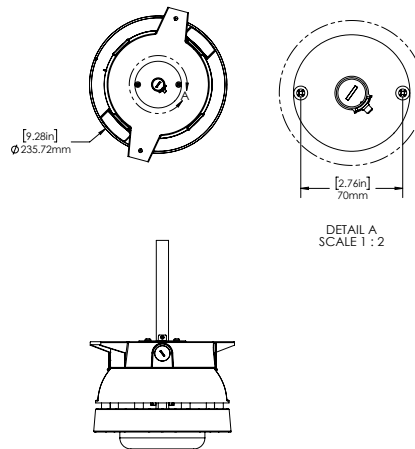


**STANCHION MOUNT**



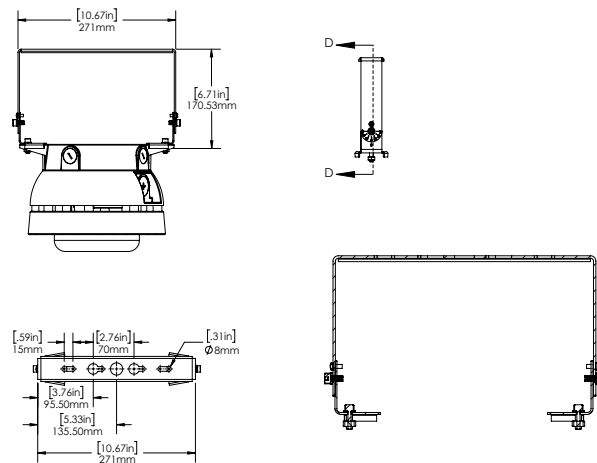
**PENDANT MOUNT**

Order ceiling mount unit and Pendant Mount kit



**YOKE MOUNT**

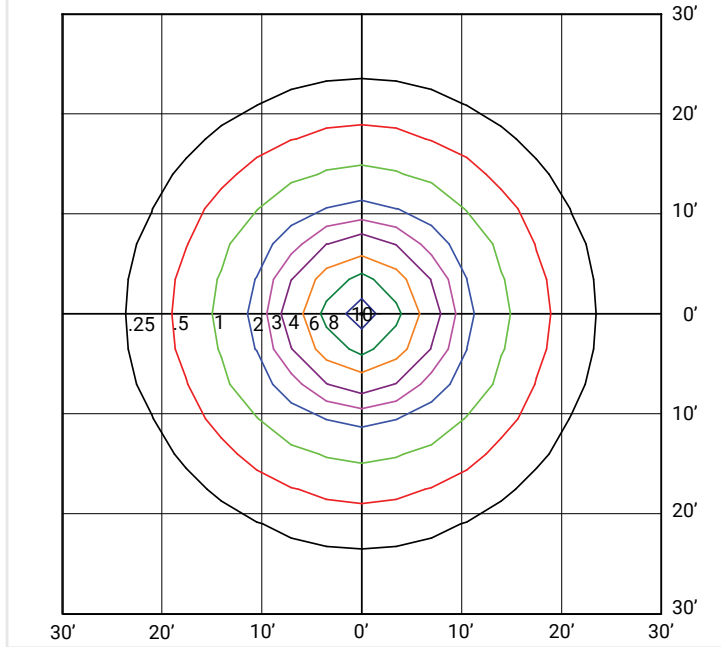
Order ceiling mount unit and Yoke Mount kit



**NMV2-LED30A12-B-VK-GRY-CM (30W, 4000K)  
MOUNTED AT 10 FEET**

LUMENS 3435

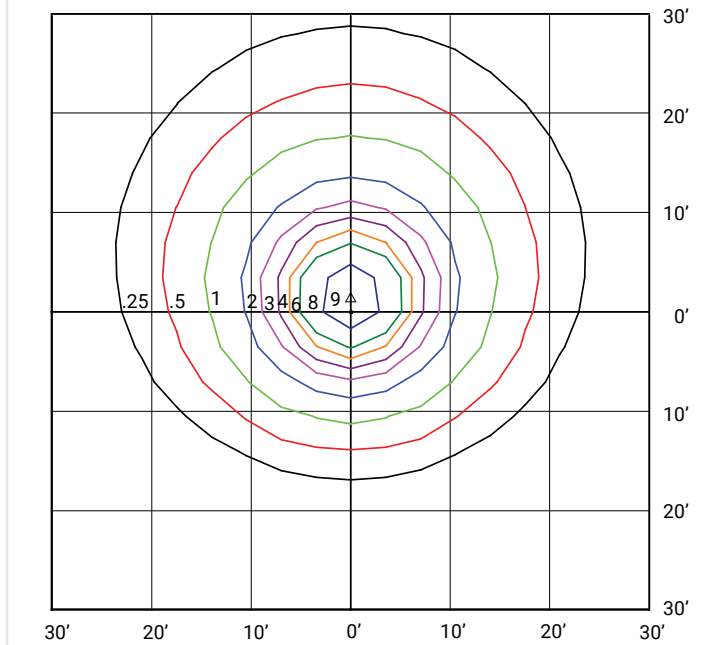
MAX CALCULATED VALUE 11.06 Fc



**NMV2-LED30A12-B-VK-GRY-STM (30W, 4000K)  
MOUNTED AT 10 FEET**

LUMENS 3436

MAX CALCULATED VALUE 9.74 Fc



## ORDERING GUIDE:

<b>NMV2-LED30A12</b>	<b>B</b>	<b>GRY</b>	<b>DIM</b>			
Voltage	Colour Temp.	Finish	Dimming	Lens Options	Mounting	
B - 120-277V	3K - 3000K	GRY - Grey	DIM - 0-10V Dimming	FR - Frosted Lens*	CM - Ceiling Mount	
	4K - 4000K*			FRR - Frosted Red Lens	WM - Wall Mount	
	5K - 5000K			FRB - Frosted Blue Lens	STM - Stanchion Mount	
				FRA - Frosted Amber Lens		
				FRG - Frosted Green Lens		

\*Standard Configuration

2200K, 2700K, 3500K, 6500K available as special order.  
For more details, please reach out to customer success team.

To order pendant or yoke mount fixture, order the ceiling mount fixture with pendant or yoke mount kits.

### STOCK CODE AND DESCRIPTION

093741	NMV2-LED30A12-B-4K-GRY-DIM-FR-CM
093742	NMV2-LED30A12-B-4K-GRY-DIM-FR-WM
093791	NMV2-LED30A12-B-4K-GRY-DIM-FR-STM

### Ordering Guide For Accessories

Check the items that you wish to order:

- 004273 NMV2-LED30A12 YOKE MOUNT KIT
- 004270 NMV2-LED30A12 PENDANT MOUNT KIT