



AL1-LED

LED Area Light



IDEAL APPLICATIONS

- Roadways
- Parking Lots
- Perimeter Lighting

DESCRIPTION:

The AL-LED fixtures are high efficiency area lights with multiple beam patterns to suit a variety of applications. Intelligently designed, series of fixture provides superior lighting performance and significant energy savings over traditional fixtures.

FEATURES:

Construction

- Precision die cast aluminum housing with clear polycarbonate lens. The fixture offers superior heat sinking with air-flow fins on the top.

Optics

- Unit has high efficiency injection molded optics that have an efficacy of 120lm/W. The LEDs have a color temperature option of 3000K, 4000K, 5000K. The CRI is greater than 70 and the operating temperature range is 40°C - to +40°C.

Beam Distribution

- Available in T2, T3, T4 and T5 beam patterns for a wide range of applications.

Mounting

- The AL series can be arm mounted for round or square poles. Wall bracket and slipfitter mount is also available. Mounting options sold separately.

Electrical

- The standard unit has a high efficiency driver that operates at 120 - 277V. 347V also available. 10kV Surge protector included in all fixtures

Finish

- Standard finish is Bronze. Please consult factory for custom colour.

Options

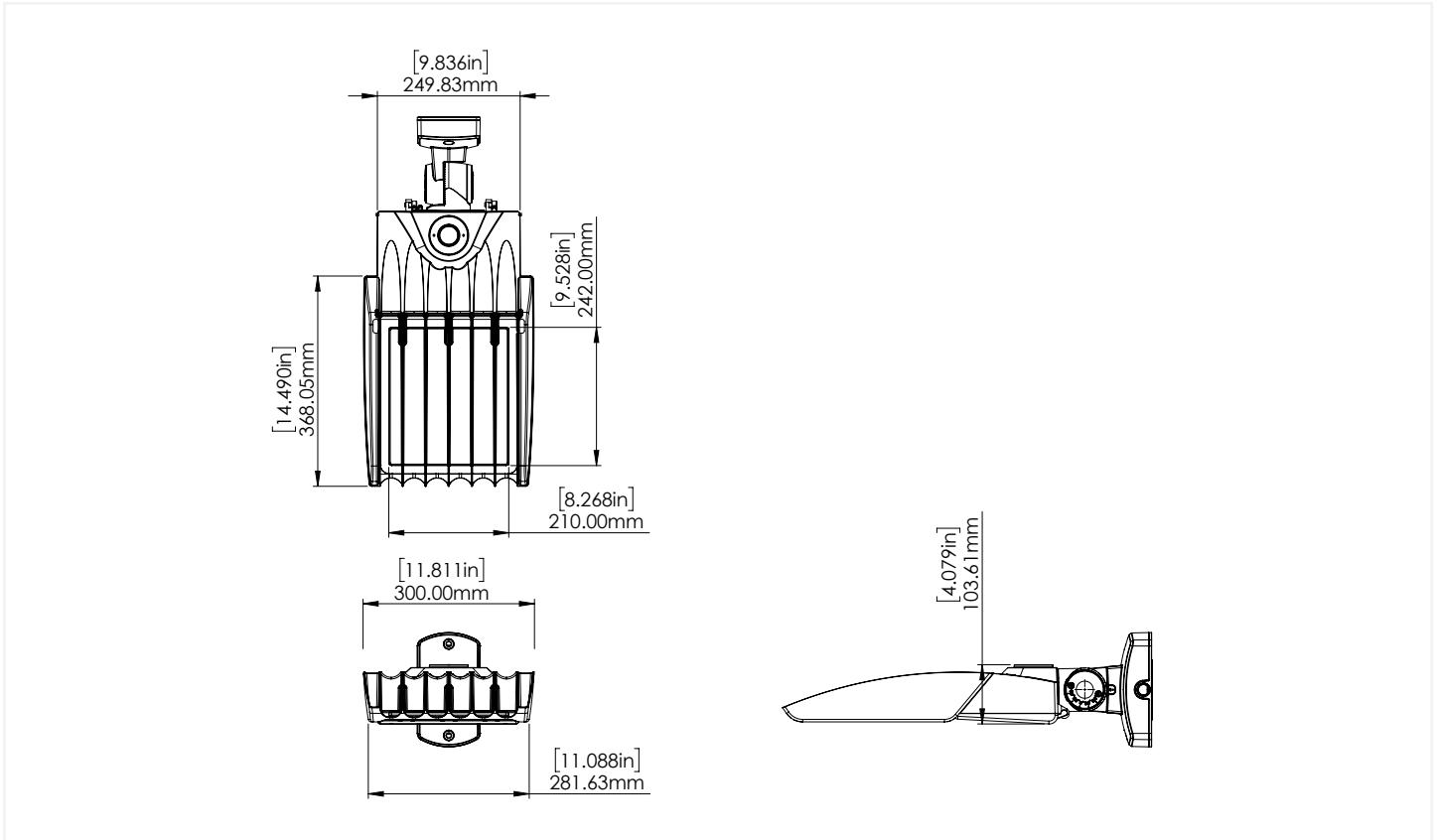
- Factory installed photocell option available.

SPECIFICATIONS	AL1-LED60	AL1-LED90	AL1-LED120
Watts	65.85W	97.14W	117.8W
Lumens	7845lm	11564 lm	14717 lm
Efficacy	119.13lm/W	119.01lm/W	124.93 lm/W
Voltage	120-277V, 347V		
Colour Temp	3000K, 4000K, 5000K		
CRI	71.5	71.7	72
Dimming	0-10V Dimming (5%-100%)		
THD	5.89%	5.84%	14.90%
PF	0.99	0.99	0.95
Beam Distribution	T2,T3,T4,T5		
LED Life (L80)	>72,000 hours		
Surge Protector	4kV (driver surge protection) and 10kV additional surge suppression		
Housing Finish	Bronze, Custom Colours		
Housing Details	Die Cast Aluminum		
Mounting (Sold Separately)	Slip Fitter, Wall mount Bracket, Arm for Round pole, Arm for Square pole		
Operating Temp.	-40°C to +40°C (-40°F to 104°F)		
Factory Installed Options	Photocontrol		
Certification	UL, 5 Year Warranty, Wet Locations, DLC		

Specs Shown are for 5000K, 120V
Note: 3000K is not DLC listed



DIMENSIONS:



AMPERAGE DRAW & SURGE PROTECTION

	Watts	CURRENT (A)					INTERNAL SURGE PROTECTION (kV)	
		120V	208V	240V	277V	347V	120-277V	347V
AL1-LED60	65.85	0.576	0.332	0.288	0.250	0.199	10kV	10kV
AL1-LED90	97.14	0.850	0.490	0.425	0.368	0.294	10kV	10kV
AL1-LED120	117.8	1.031	0.595	0.515	0.447	0.356	10kV	10kV

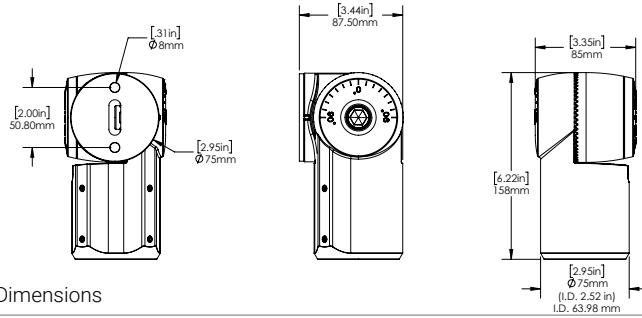
TM-21 ESTIMATED LUMEN MAINTENANCE

	50,000 Hours	75,000 Hours	100,000 Hours
AL1-LED	87.8%	83.0%	78.5%

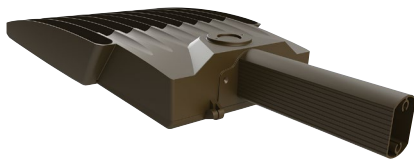
MOUNTING OPTIONS:



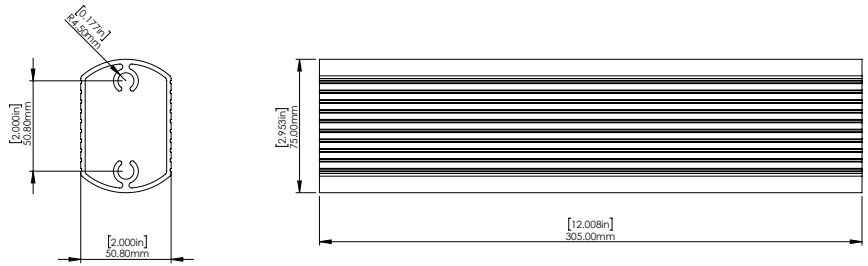
Slipfit Mount
Optional - order separately



Slipfit mount Dimensions



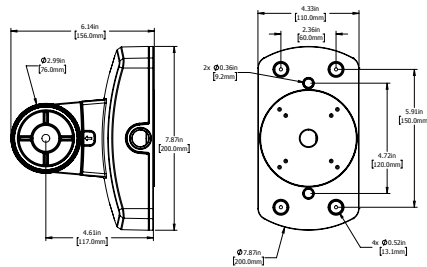
Arm for square pole
Optional - order separately



Arm for square pole Dimensions



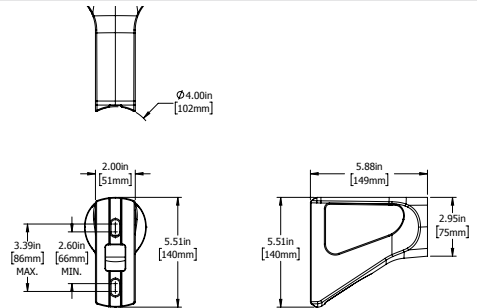
Wall Mount Bracket
Optional - order separately



Wall Mount Bracket Dimensions



Arm for round pole
Optional - order separately



Arm for Round Pole Dimensions

ORDERING GUIDE:

AL1		DIM					
Fixture	Wattage	Voltage	Colour Temp.	Beam	Finish	Dimming	Options
	LED60	B - 120-277V*	5K - 5000K*	T2 - Type 2	BRZ - Bronze*	DIM - 0-10V Dimming	PC - Photocell
	LED90	C - 347V	4K - 4000K	T3 - Type 3	CC - Custom Colour		
	LED120		3K - 3000K	T4 - Type 4			
				T5 - Type 5			

* Standard configuration