



EVP5 Pro Design

Electric Vehicle Pedestal



Dual Mount Available

IDEAL APPLICATIONS

- Parking Lots
- Garages
- Curbside Parking

DESCRIPTION:

RAB Design's EV Pedestal is a **modern, intelligently designed, and affordable** (Single or Dual Mount) for Level 2 FLO chargers. The pedestal is designed to work with FLO Home™ G5, FLO Home™ X5 - Smart Charger, FLO CoRe+™ and FLO CoRe+ MAX™. Ideal for residential and commercial applications such as garages, parking lots, and curbside parking.

FEATURES:

- Sleek, modern design.
- Can be used in a single or dual mount (front and back) configuration.
- Rugged aluminum construction to withstand extreme weather conditions.
- Aluminum base plate with an 8" Bolt Circle Diameter allows for in/out connections to daisy chain multiple chargers and provides structural rigidity to the unit.
- Provision for Strain Relief to avoid stress to cables and prevent them from breaking. (Strain relief not included with unit)
- Stainless steel hardware.
- Quick removable top cap for easy access for wiring.
- Zinc plated anchor bolts on the base plate are covered by the shaft and thereby hidden from the line of sight.
- Zinc plated anchor bolts that resist corrosion and surface wear are provided with the kit along with the template for drilling pattern.
- The standard finish is Sandtex black.
- Salt spray tested for 1000 hours.

SPECIFICATIONS

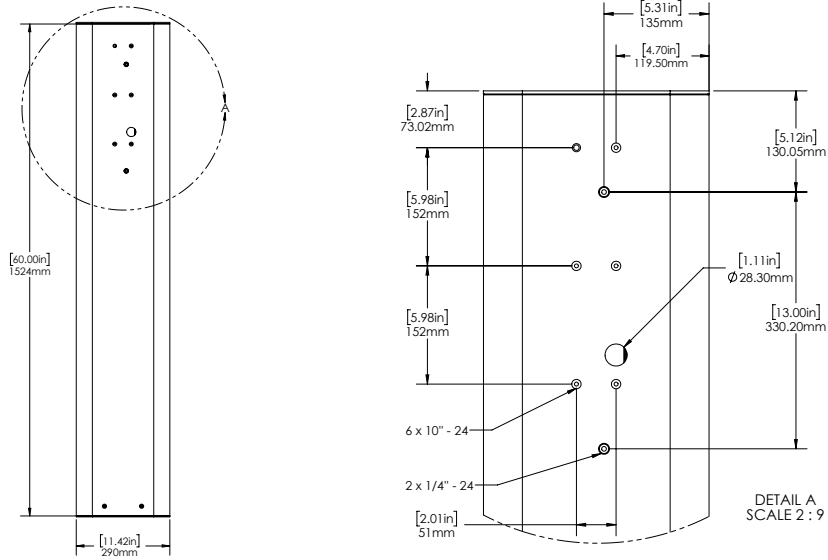
EVP5 Pro Design

Material	Aluminum
Dimension	60.3" x 11.4" x 4.9"
Wall Thickness	0.16"
Anchor Bolt Size	1/2"x12"
Bolt Circle Diameter	8"
Bolt Circle Diameter Range	8.16"-7.85"
Bolt Square Dimension	5.65"
Bolt Square Dimension Range	5.77"-5.55"
Finish	Sandtex Black, Custom Colour
Weight	33.5 lb
Hardware Material	Stainless Steel

 **Quick Ship Available**
(For Standard Units)

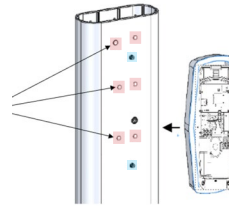
 **Easy to Install**

PEDESTAL DIMENSIONS:

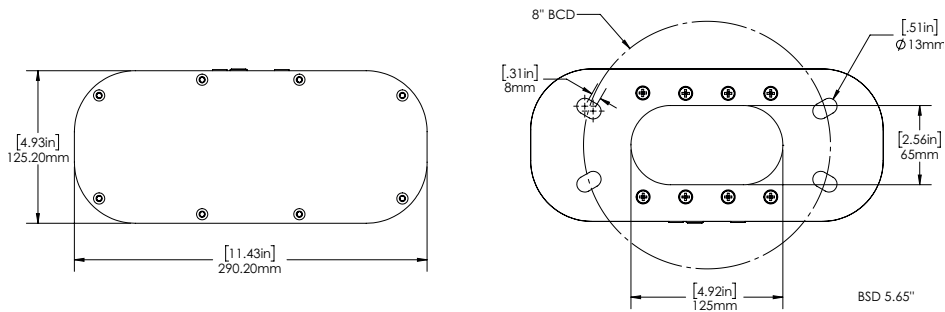


LEGEND:

- Use these holes for FLO Home™ X5 and FLO Home™ G5 models
- Use these holes for FLO CoRe+™ models



TOP CAP & BASE DIMENSIONS:



ORDERING GUIDE:

EVP	5				
------------	----------	--	--	--	--

Pedestal	Height	Finish	Charger Model	Units	Options
	5 - 5' height	SBK- Sandtex Black*	FLO	SL - Single Unit*	Blank
		CC - Custom Colour		DL - Dual Unit (Front and Back)	GFCI (2' from the base)**


*Standard Configuration


**Provision for GFCI provided, needs to be installed by Customer.

Note: Anchor bolts and drill pattern template provided in the kit.

STOCK CODE	
093793	EVP5-SBK-FLO-SL

FLO Level 2 Chargers that are compatible with the current Pedestal Design:

	FLO Home™ X5
	FLO Home™ G5

	FLO CoRe+™
	FLO CoRe+™ MAX