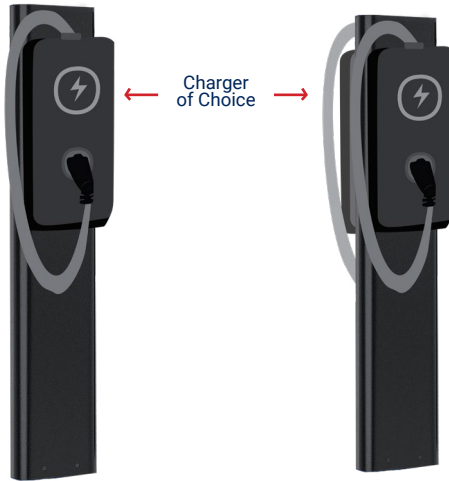




EVP5 Pro Design

Electric Vehicle Pedestal



Dual Mount Available

IDEAL APPLICATIONS

- Parking Lots
- Garages
- Curbside Parking

DESCRIPTION:

RAB Design's EV Pedestal is a modern, intelligently designed, and affordable mounting system available in single and dual mounting configurations.

The product is currently compatible with FLO Home™ G5, FLO Home™ X5 - Smart Charger, FLO CoRe+™ and FLO CoRe+™MAX and can also be customized to accommodate other Level 1 and Level 2 chargers in the market. It is ideal for use in residential and commercial applications such as garages, parking lots, and curbside parking.

FEATURES:

- Sleek, modern design.
- Can be used in a single or dual mount (front and back) configuration.
- Rugged aluminum construction to withstand extreme weather conditions.
- Aluminum base plate with an 8" Bolt Circle Diameter allows for in/out connections to daisy chain multiple chargers and provides structural rigidity to the unit.
- Provision for Strain Relief to avoid stress to cables and prevent them from breaking. (Strain relief not included with unit)
- Stainless steel hardware.
- Quick removable top cap for easy access for wiring.
- Zinc plated anchor bolts on the base plate are covered by the shaft and thereby hidden from the line of sight.
- Zinc plated anchor bolts that resist corrosion and surface wear are provided with the kit along with the template for drilling pattern.
- The standard finish is Sandtex black.
- Salt spray tested for 1000 hours.

SPECIFICATIONS	EVP5 Pro Design
Material	Aluminum
Dimension	60.3" x 11.4" x 4.9"
Wall Thickness	0.16"
Anchor Bolt Size	1/2"x12"
Bolt Circle Diameter	8"
Bolt Circle Diameter Range	8.16-7.85"
Bolt Square Dimension	5.65"
Bolt Square Dimension Range	5.77-5.55"
Finish	Sandtex Black, Custom Colour
Weight	33.5 lb
Hardware Material	Stainless Steel

Quick Ship Available

(Same day for Standard units)
(2 weeks for Customized units)

Easy to Install

The EVP Pedestal Series is **compatible with Level I and Level II EV chargers**. We can work with you to customize our unit to make it compatible with your charger of choice.

HERE'S HOW:



Step 01

Select your EV Charger.



Step 02

Contact RAB for an initial assesment.



Step 03

Send us a spec sheet and drawing of your EV Charger.



Step 04

RAB designs a solution for you.



Step 05

You approve.



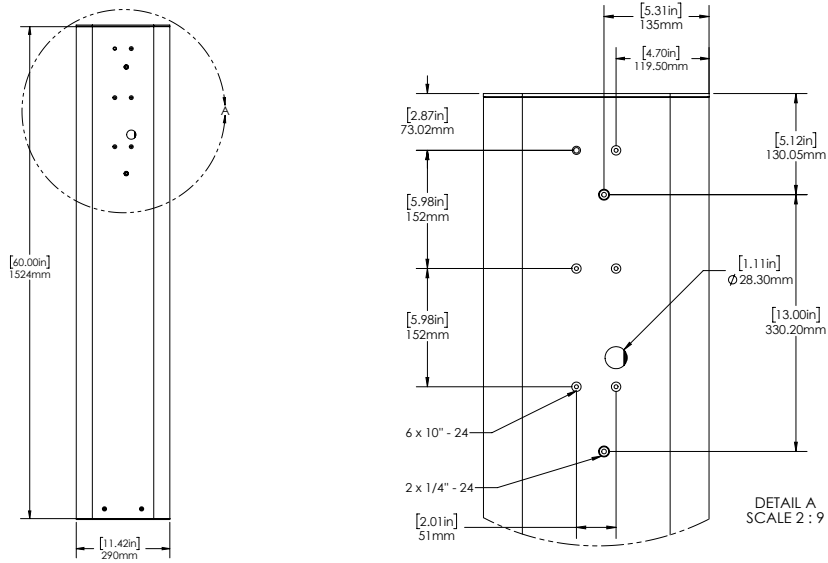
Step 06

We sign off and proceed to mass produce your EV Pedestal.

Contact your local RAB Design Sales Representative or our Customer Success Team for your quote on a custom solution.

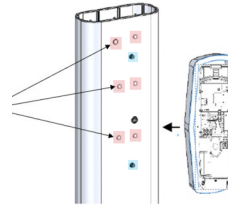
[Click here to start your custom quote](#)

PEDESTAL DIMENSIONS:

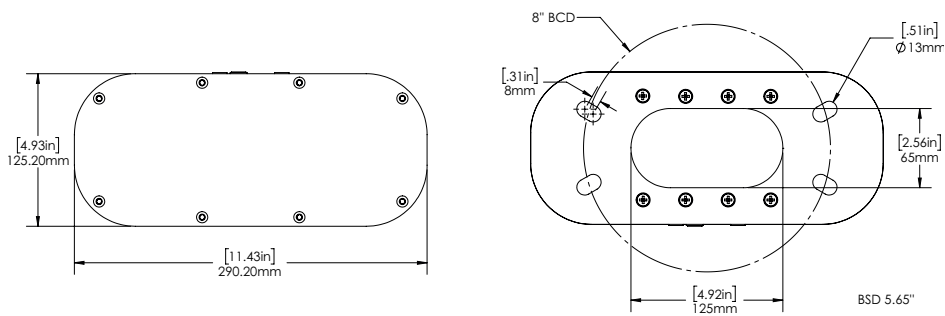


LEGEND:

- Use these holes for FLO Home™ X5 and FLO Home™ G5 models
- Use these holes for FLO CoRe+™ models



TOP CAP & BASE DIMENSIONS:



ORDERING GUIDE:



Pedestal	Height	Finish	Charger Model	Units	Options
	5 - 5' height	SBK- Sandtex Black*	XXX (EV Charger of Choice)	SL - Single Unit	Blank
		CC - Custom Colour	FLO*	DL - Dual Unit (Front and Back)	GFCI (2' from the base)**



*Standard Configuration

**Provision for GFCI provided, needs to be installed by Customer.

Note: Anchor bolts and drill pattern template provided in the kit.

STOCK CODE	
When using other manufacturer's charger, please provide complete model spec sheet of the charger so that a template can be created to generate a drill pattern	EVP-5-SBK-XXX-SL
093793	EVP-5-SBK-FLO-SL

FLO Level 2 Chargers that are compatible with the current Pedestal Design:

	FLO Home™ X5		FLO CoRe+™
	FLO Home™ G5		FLO CoRe+™ MAX