



# LFX4-LED60

## Linear Vapourproof Fixture



### IDEAL APPLICATIONS

- Food Processing Industries
- Agricultural Applications
- Poultry Barns
- Industrial Applications

### DESCRIPTION:

New and improved IP66 linear vapourproof fixture that is rugged in design, with conduit entries on the back and the side for ease on installation.

### FEATURES:

#### Construction

Polycarbonate UV stabilized housing with opal lens. The lens attaches to the fixture using 6 stainless steel clips on either side. The LFX4-LED60 is ideal for mounting heights between 8' – 10' creating a wide even light distribution because of its rounded opal lens.

#### Lens

Fixture has a high grade polycarbonate lens that is UV stabilized.

#### LED information

The fixture contains a high efficiency LED strip that delivers a total output of 5,379 lumens at an efficacy of 134 lumens/watt. LEDs have a colour temperature of 4000K as standard, 5000K is available as an option.

#### Finish

Grey Polycarbonate Finish

#### Electrical

Total system wattage of the unit is 62W. The standard unit has a high efficiency driver that operates at 120 - 277V. 347V is available as an option.

#### Mounting

Fixture comes with 2 stainless steel mounting brackets that facilitate quick and easy mounting direct on the wall or ceiling. Additional mounting options include suspended chain mount.

There are 4 conduit entries on the bottom and one conduit entry on either side.

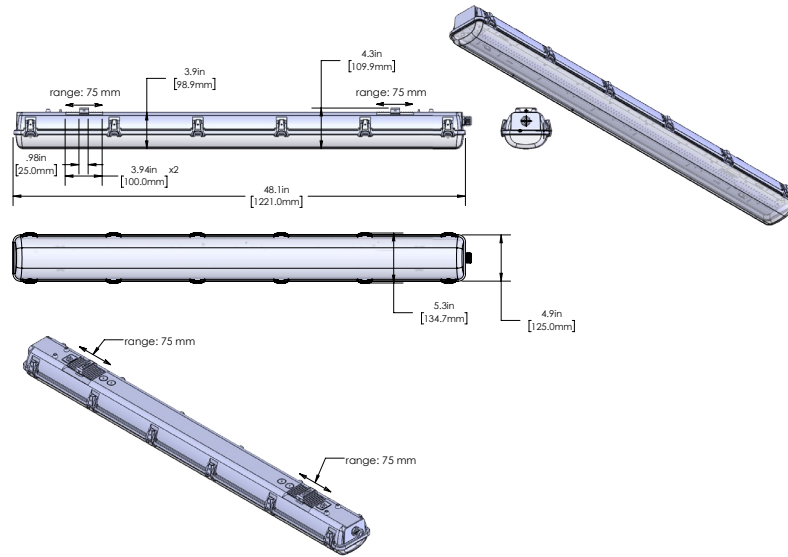
#### Options

- Integrated High Frequency Sensor
- Battery backup

| SPECIFICATIONS  | LFX4-LED60  |
|-----------------|---|
| Watts (W)       | 62  |
| Equivalent to   | > 3 lamp T5 fluorescent fixture   |
| Lumens (Lm)     | 8,002   |
| Voltage         | 120-277V, 347V  |
| Efficacy (Lm/W) | 130   |
| Operating Temp. | -40°C to +40°C  |
| Colour Temp.    | 4000K (standard)<br>5000K (option)  |
| Dimming         | 0-10V Dim (10% to 100%)   |
| CRI             | >80   |
| PF              | 0.9   |
| THD             | 14.85%  |
| LED Life        | 100,000 Hours   |
| Finish          | Grey  |
| Certifications  | UL, IP66, DLC Premium, NEMA 4X, NSF, 5 Year Warranty, Wet Locations, IK10 |



## DIMENSIONS:

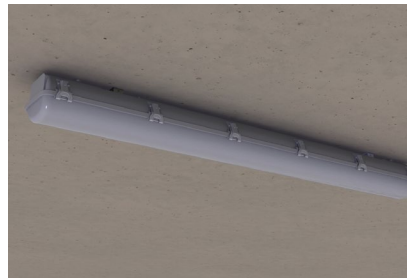


**NOTE:** Not for use in car wash facilities.

## EASY INSTALLATION:



1. Mount stainless steel clips on the surface



2. Mount fixture onto clips



3. Open up the lens by unhooking polycarbonate clips on one side



4. Remove LED tray using the pull tabs on either side of the fixture
5. Both tray and lens hang while tethered to the fixture using a clip and lock system.
6. Connect wires using quick connects



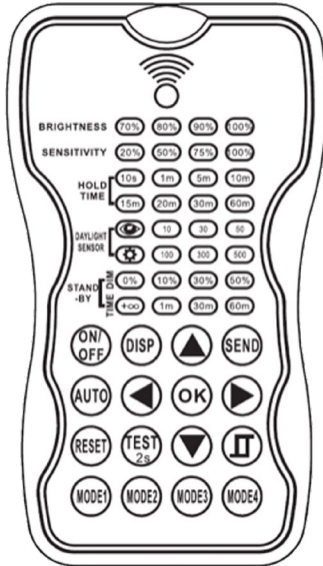
7. Reattach the tray to the fixture



8. Reattach the lens to the fixture

## DHFS MOTION SENSOR

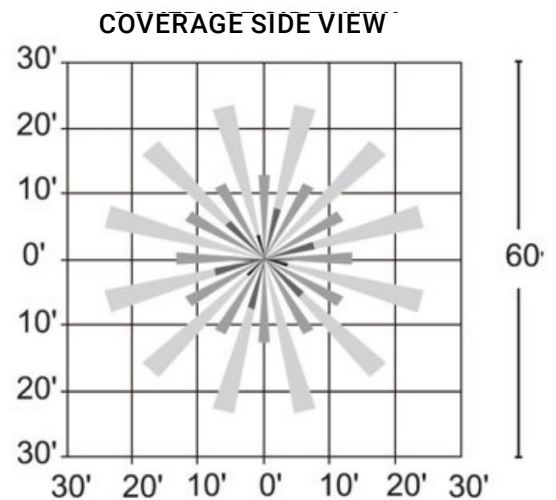
Dimming High Frequency Motion Sensor is factory installed.



| DEFAULT SENSOR SETTINGS |             |           |                 |              |               |
|-------------------------|-------------|-----------|-----------------|--------------|---------------|
| BRIGHTNESS              | SENSITIVITY | HOLD TIME | DAYLIGHT SENSOR | STAND-BY DIM | STAND-BY TIME |
| 100%                    | 100%        | 5 minutes | Disabled        | DIM: 30%     | 60 minutes    |

| DHFS SENSOR SPECIFICATIONS    |   |
|-------------------------------|---|
| <b>POWER SUPPLY</b>           | 100-277 VAC, SINGLE PHASE, 60HZ<br>100-347 VAC, SINGLE PHASE, 60HZ<br>208/230/480 VAC, PHASE TO PHASE, 60HZ   |
| <b>MAXIMUM LOAD</b>           | 100-120 VAC, 800W, TUNGSTEN<br>100-120 VAC, 800W, ELECTRONIC BALLAST/LED DRIVER<br>230-240 VAC, 300W, ELECTRONIC BALLAST/LED DRIVER<br>277 VAC, 1200W, ELECTRONIC BALLAST/LED DRIVER<br>347 VAC, 1200W, ELECTRONIC BALLAST/LED DRIVER<br>480 VAC, 480W, ELECTRONIC BALLAST/LED DRIVER |
| <b>HIGH FREQUENCY SYSTEM</b>  | 5.8GHZ +/-75MHZ   |
| <b>DIM CONTROL OUTPUT</b>     | 0-10V DC DIMMING, 25MA  |
| <b>DETECTION RADIUS/ANGLE</b> | MAX 8M (26FT) AT 360°   |
| <b>MOUNTING HEIGHT</b>        | MAX 6M (20FT)   |
| <b>HUMIDITY</b>               | MAX 95% RELATIVE HUMIDITY   |
| <b>OPERATING TEMP.</b>        | -40°C TO +70°C  |
| <b>CYCLES</b>                 | 200,000 ON/OFF CYCLES   |
| <b>CERTIFICATIONS</b>         | CRUUS, FCC  |
| <b>PROGRAMMING</b>            | WIRELESS PROGRAMMING USING RC-100 REMOTE  |

## DHFS DETECTION RANGE & RADIUS/ANGLE



## ORDERING GUIDE:

| Fixture | Wattage | Voltage                   | Colour Temp.             | Finish     | Dimming             | Lighting Controls  | NSF                | NEMA4X       | Battery Back Up   |
|---------|---------|---------------------------|--------------------------|------------|---------------------|--|--------------------|--------------|---|
| LFX4    | LED60   | B - 120-277V<br>C - 347V* | 4K - 4000K<br>5K - 5000K | GRY - Grey | DIM - 0-10V Dimming | Leave Blank- None*<br><br>DHFS** - Dimming High frequency motion sensor (can be set as ON/OFF) | FS - NSF Certified | N4X - NEMA4X | Leave Blank - No Battery Backup<br><br>BBK** - Battery Backup |

\*\* Not DLC listed

### ORDERING GUIDE FOR ACCESSORIES

#### Options Sold Separately

Check the items that you wish to order:

087016 - RC100 Remote