



RGL1S-LED

Round Garage Light



Lumen Adjustable



Colour Selectable



Voltage Range
120-347V

IDEAL APPLICATIONS

- Strip Malls
- Walkways
- Underground Parking Garages
- Schools
- Offices
- Condominiums

DESCRIPTION:

The RGL1S is a specialized fixture with high performance optics ideal for illuminating underground garages.

FEATURES:

- Rugged in design with die cast aluminum housing and polycarbonate lens.
- Selectable Unit - 120-347V, lumen adjustable, and colour selectable.
- Surface mount or pendant mount (pendant supplied by others)
- Side hinged design allowing Installers to use both hands while wiring making it easy to install.
- 4 conduit entries (3 on each side and 1 on the back)
- Factory installed motion sensor option for improved energy saving and optimum fixture usage.
- RGL1S-LED70A45 replaces 175 - 250W HID fixtures and is ideal for mounting heights of 12' - 20'.
- The RGL1S-LED is a specialty garage light with high performance optics.

SPECIFICATIONS*

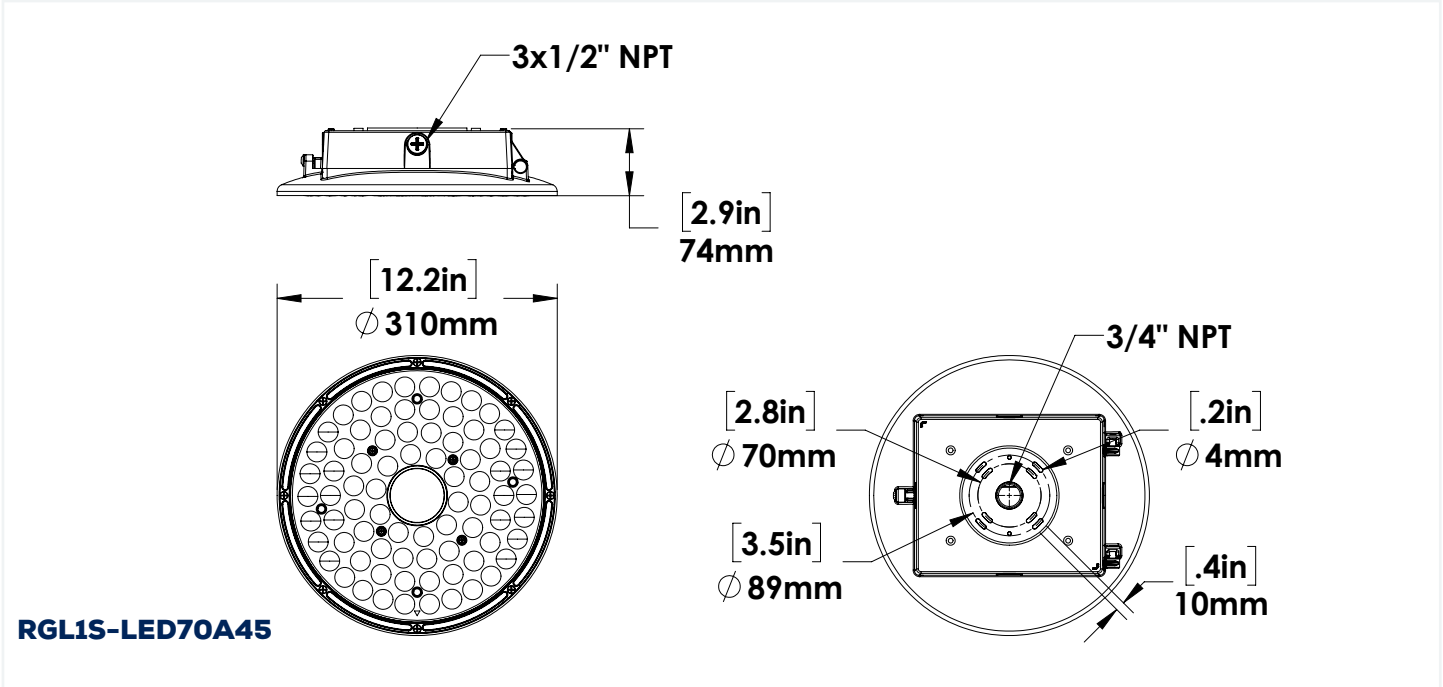
RGL1S-LED70A45

| | |
|---------------------------|---|
| Tested Wattage (Maximum) | 65.07W |
| Tested Lumens (Maximum) | 9979 lm |
| Efficacy | 153.3 lm/W |
| Voltage | 120-347V |
| CCT | Variable Kelvin (3000K/4000K/5000K) |
| CRI | 73.4 |
| Dimming | 0-10V Dim (10%-100%) |
| Power Factor | ≥0.90 |
| LED Life (L78) | 100,000 hours |
| Housing Finish | Bronze, Custom Colour |
| Housing Details | Die Cast Aluminum |
| Lens Details | Polycarbonate |
| B-U-G Rating | B3-U0-G2 |
| Mounting | Surface/Pendant mount |
| Number of Conduit Entries | 3 - 1/2" NPT (Sides) 1 - 3/4" NPT (Back) |
| Operating Temp. | -40°C to +40°C (-40°F to 104°F) |
| Factory Installed Options | Dimming High Frequency Motion Sensor |
| Certifications | UL, Wet Location, IP65, DLC Premium |

* Specs shown are maximum wattage, 4000K at 120V



DIMENSIONS:



AMPERAGE DRAW & SURGE PROTECTION

| | CURRENT (A) | | | | | SURGE PROTECTION (kV) | |
|----------------|-------------|-------|-------|-------|------|-----------------------|------|
| | 120V | 208V | 240V | 277V | 347V | 120-277V | 347V |
| RGL1S-LED70A45 | 0.57A | 0.33A | 0.29A | 0.25A | 0.2A | 6kV | 6kV |

LUMEN ADJUSTABLE SETTINGS

| | | | |
|-------------|------|------|------|
| Power (W) | 70 | 55 | 45 |
| Lumens (lm) | 9979 | 7975 | 6525 |

TM-21 ESTIMATED LUMEN MAINTENANCE

| | 50,000 Hours | 75,000 Hours | 100,000 Hours |
|----------------|--------------|--------------|---------------|
| RGL1S-LED70A45 | 89.5% | 84.0% | 78.9% |

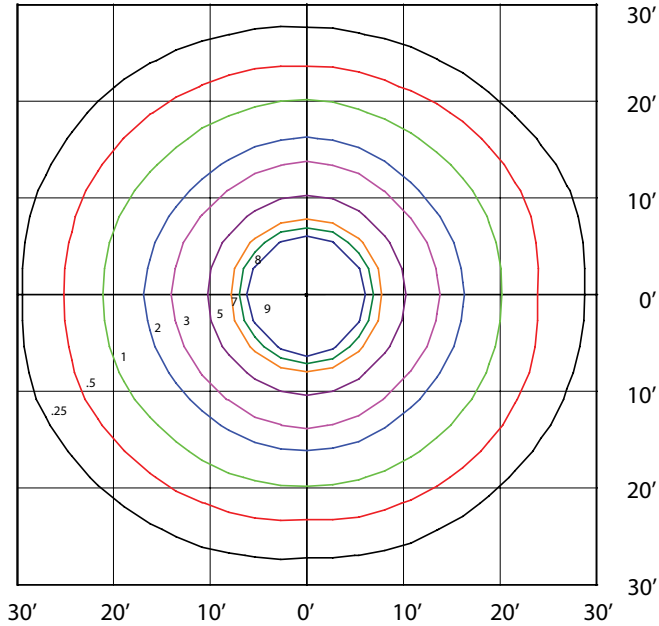
Life hours are derived from IESNA LM-80 testing report and projected per IESNA TM-21 calculations.

FIXTURE WEIGHTS (LBS)

| | |
|----------------|---|
| RGL1S-LED70A45 | 6 |
|----------------|---|

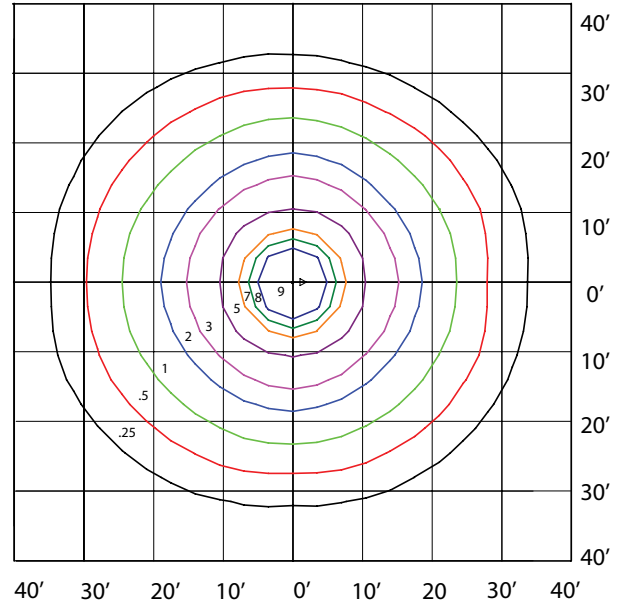
RGL1S-LED70A45-H-VK-BRZ-DIM (45WATT)
5000K

Total Lumens = 6075 Mounting Height = 8 Ft Maximum Calculated Value = 14.45 Fc



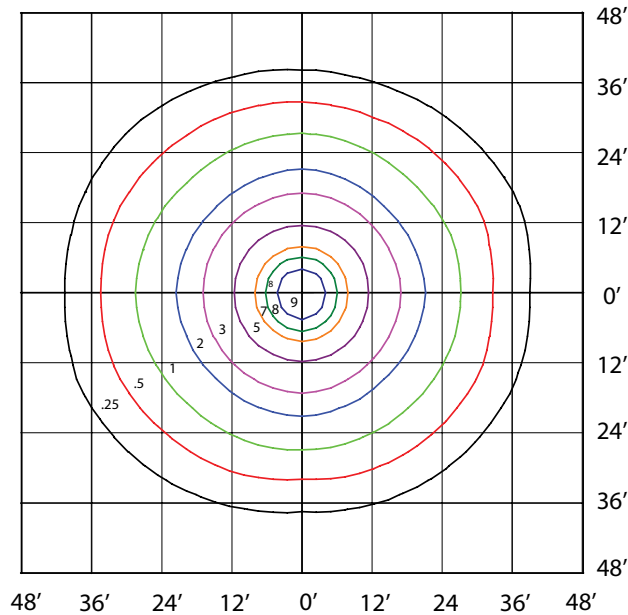
RGL1S-LED70A45-H-VK-BRZ-DIM (55WATT)
5000K

Total Lumens = 7425 Mounting Height = 10 Ft Maximum Calculated Value = 11.31 Fc



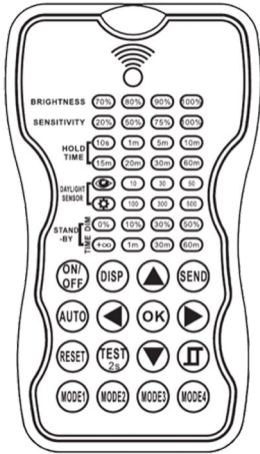
RGL1S-LED70A45-H-VK-BRZ-DIM (70WATT)
5000K

Total Lumens = 9583 Mounting Height = 12 Ft Maximum Calculated Value = 10.13 Fc



DHFS MOTION SENSOR

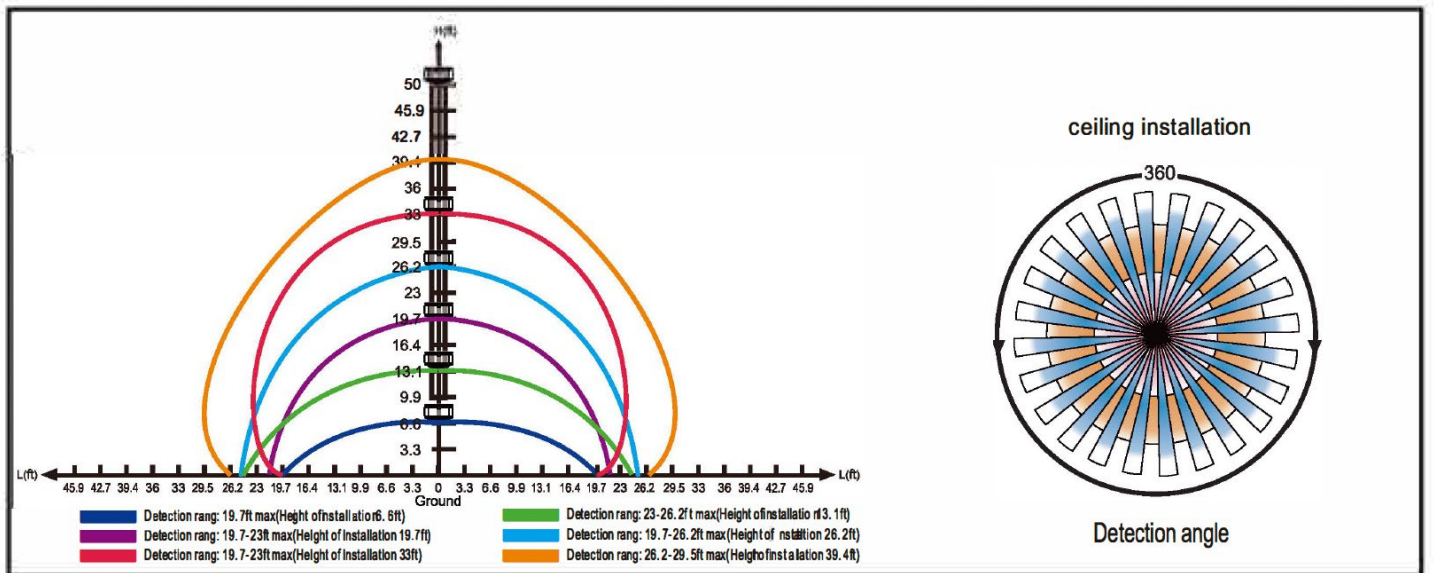
Dimming High Frequency Motion Sensor is factory installed and comes with the following default settings.



| DEFAULT SENSOR SETTINGS | | | | | |
|-------------------------|-------------|-----------|-----------------|--------------|---------------|
| BRIGHTNESS | SENSITIVITY | HOLD TIME | DAYLIGHT SENSOR | STAND-BY DIM | STAND-BY TIME |
| 100% | 100% | 1 minute | Disabled | DIM: 30% | 60 minutes |

| DHFS SENSOR SPECIFICATIONS | |
|-------------------------------|----------------------------------|
| INPUT | 12V DC |
| HF SYSTEM | 5.8 GHz ± 75MHz |
| DIM CONTROL OUTPUT | 0-10V, MAX. 25MA SINKING CURRENT |
| DETECTION RADIUS/ANGLE | MAX 26FT.(8M) 360° |
| MOUNTING HEIGHT | MAX 40FT |
| REMOTE RANGE | 50FT. (15M) INDOOR, NO BACKLIGHT |
| HUMIDITY | MAX. 95% RH |
| TEMPERATURE | -40°F - 104°F (-40°C - 40°C) |

SENSOR COVERAGE



ORDERING GUIDE:

| RGL1S | LED70A45 | H | VK | | DIM | |
|---------|----------|--------------|--|-------------------------------------|---------------------|---|
| Fixture | Wattage | Voltage | Colour Temp. | Finish | Dimming | Controls |
| RGL1S | LED70A45 | H - 120-347V | VK - Colour Selectable (3000K/4000K/5000K) | BRZ - Bronze* CC - Custom Colour | DIM - 0-10V Dimming | Blank DHFS - Dimming High Frequency Sensor |

*Standard Configuration

| STOCK CODE | DESCRIPTION |
|------------|-----------------------------|
| 081325 | RGL1S-LED70A45-H-VK-BRZ-DIM |

ORDERING GUIDE FOR ACCESSORIES

Options Sold Separately
Check the items that you wish to order:

087016 - RC-100 MOTION SENSOR REMOTE CONTROL

Note: Please order atleast one RC 100 remote control when DHFS is ordered.