



# VFL5-LED300

## High Lumen Flood



### IDEAL APPLICATIONS



### DESCRIPTION:

The VFL5 is a performance flood light available in narrow and wide beam pattern. It is available in both 4000K and 5000K and is DLC 5.1 qualified. The lumen package allows you to illuminate from a distance and highlight a wall or any architectural features. It has a cast aluminum housing and is available with yoke or slip fitter mounting options.

### FEATURES:

- Precision die cast aluminum housing with tempered glass lens fastened to the fixture with tamperproof screws.
- The fixture offers superior heat sinking with air-flow fins on the top and bottom. The driver enclosure is separate from the optics for improved thermal management.
- Unit has a custom built LED array which creates a uniformly distributed wide beam. Narrow beam is available as an option.
- The standard unit has a high efficiency driver that operates at 120 - 277V. 347V available as an option. Unit has a built in 10kV surge suppressor.
- Unit has two mounting options:
  - Slip fitter – fits on 2 3/8" tenon and can be bull horn mounted in various configurations. Angle increments are cast into the slip fitter option for precise aiming and multi-fixture installations.
  - Yoke – available as a yoke mount with a bolt spacing of 3" or 76mm.
- Standard finish is Bronze.
- Optional photocell can be factory installed.
- Ideal for mounting heights of 24' - 50'.
- Replaces 1000W Metal Halide fixtures.

### SPECIFICATIONS\*

### VFL5-LED300

Watts	304.6W
Lumens	38,290
Efficacy	125 Lm/W
Operating Temp	-40°C to +40° C
Color Temp	4000K, 5000K
LED Life (L90)	43,000 Hours
Voltage	120-277V*, 347V
Dimming	0-10V Dim (10%-100%)
Optics	Wide (7HX7V), Narrow (4HX4V)*
Mounting	Yoke, Slipfitter
PF	0.99
THD	1.94%
CRI	82.4
Housing Material	Die Cast Aluminum
Housing Colour	Bronze*, Custom Colour
Operating Temp.	-40°C to +40°C (-40°F to 104°F)
Certification	UL, IP66, DLC Standard, 5 Year Warranty

Tested Values for 120V, 4000K

\*Narrow Beam solution is not DLC approved



<b>AMPERAGE DRAW &amp; SURGE PROTECTION</b>							
	CURRENT (A)					SURGE PROTECTION (kV)	
	120V	208V	240V	277V	347V	120-277V	347V
VFL5-LED300	2.665A	1.538A	1.33A	1.155A0	.922A	10kV	10kV

<b>TM-21 ESTIMATED LUMEN MAINTENANCE</b>			
	50,000 Hours		75,000 Hours
	100,000 Hours		
VFL5-LED300	88.3%		82.9%
	77.8%		

<b>EPA (ft<sup>2</sup>)</b>			
	0° Tilt		45° Tilt
	90° Tilt		
VFL5-LED300	1.42		1.34
	2.14		

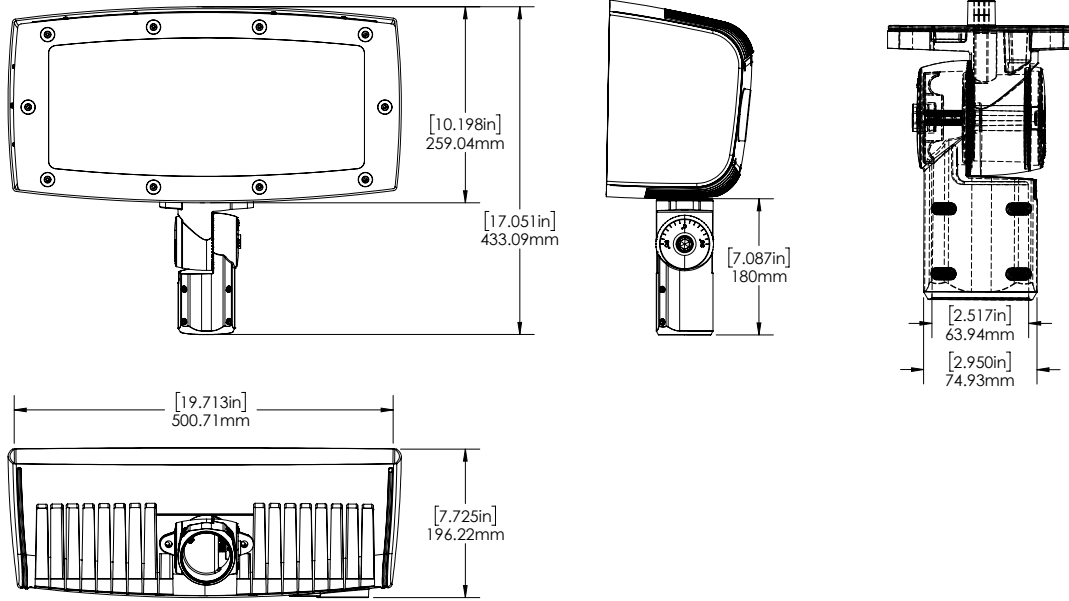
<b>WEIGHT (lbs)</b>	
VFL5-LED300	33

<b>SPECIFICATIONS</b>								
Model Number	Voltage (V)	Power (W)	Light Output (lm)	Efficacy (lm/W)	THD (%)	PF	CCT (K)	B-U-G
VFL5-LED300-B-5K-W-XXX-DIM-XX	120-277	302.3	38224	126.4	10.43	0.94	5000	82.4
VFL5-LED300-C-4K-W-XXX-DIM-XX	347	302.4	37801	125	16.95	0.9	4000	82.6
VFL5-LED300-C-5K-W-XXX-DIM-XX	347	302.2	38075	125.87	17.33	0.9	5000	82.4

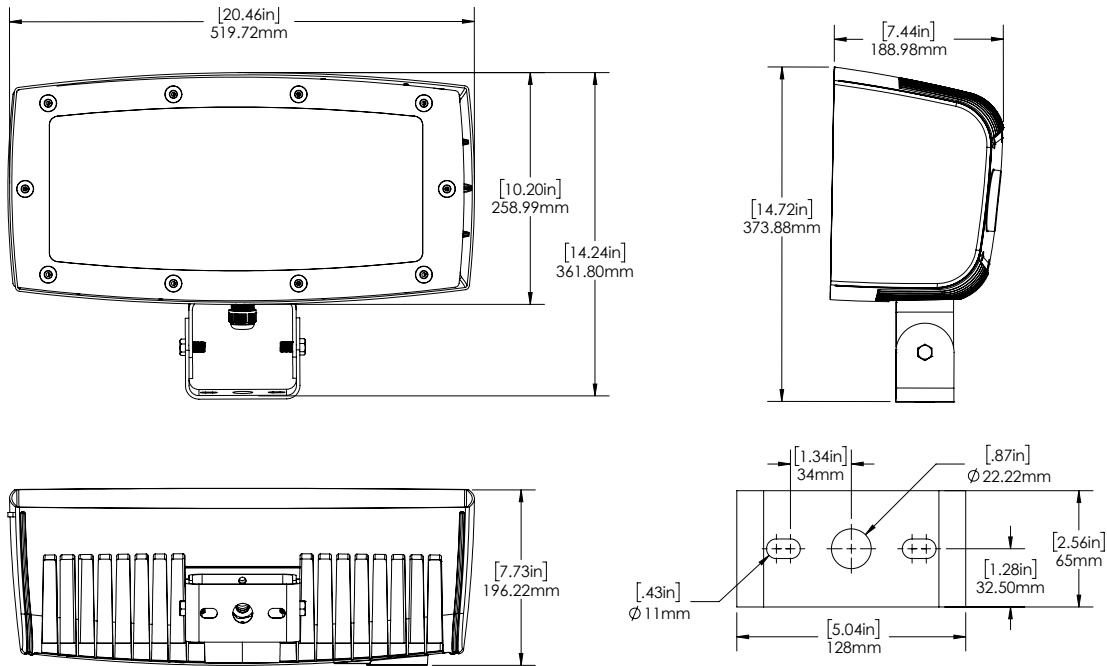
**LEGEND**

B-120-277V, C-347V  
 4K-4000K, 5K-5000K  
 XXX - Housing Finish  
 DIM - 0-10V Dimming  
 XX - Mounting

**DIMENSIONS:**



**VFL5 with Slipfitter**



**VFL5 with Yoke Mount**

## ORDERING GUIDE:

VFL5	LED300						DIM		
Fixture	Wattage	Voltage	Color Temp.	Beam	Finish	Dimming	Options	Mounting	
	LED300	B - 120-277V*	4K - 4000K	W - Wide*	BRZ - Bronze*	DIM - 0-10V Dimming	BLANK*	YK - Yoke	
		C - 347V	5K - 5000K*	N - Narrow	CC - Custom Colors		PC - Photocell	SF - Slipfit	

\*Standard Configuration