



SMT6H-LED

Summit LED Bollard Series



SMT6H12-LED10
12"

SMT6H24-LED20
24"

SMT6H36-LED24
36"

IDEAL APPLICATIONS

- Pathways
- Parkettes
- Townhouses
- Landscape Applications
- Condos

DESCRIPTION:

The Summit Series is a dark sky friendly bollard with no uplight, DLC Luna listed for the 2700K CCT model. Also available in 4000K and 5000K CCT, this bollard series has high performance optics designed to fully eliminate glare for pedestrians and drivers passing by.

FEATURES:

- Aesthetic, slim, modern fixture design.
- 3 heights to choose from: 12", 24", 36".
- Full cut-off design eliminates uplight and light pollution. Optics are hidden from line of sight limiting glare while creating a comfortable experience for passersby.
- Innovative optic design creates even and uniform light distribution across the surface. High performance optics allow for more spacing between bollards reducing the number fixtures needed in an install.
- 2700K, 4000K, 5000K colour temperature options.
- Custom paint finishes available.
- Extruded aluminum shaft, cast aluminum head and base with polyester powder coat paint finish
- IP66 rated - Designed to fully protect from dust ingress and powerful water jets as per international standard.
- IK10 rated - Designed to protect against vandalism and mechanical impacts as per IEC 62262 standard.
- Twist Lock mechanism with stainless set screws for easy installation.
- Set of three zinc plated 8" long 3/8-16" anchor bolt with nuts and washers.

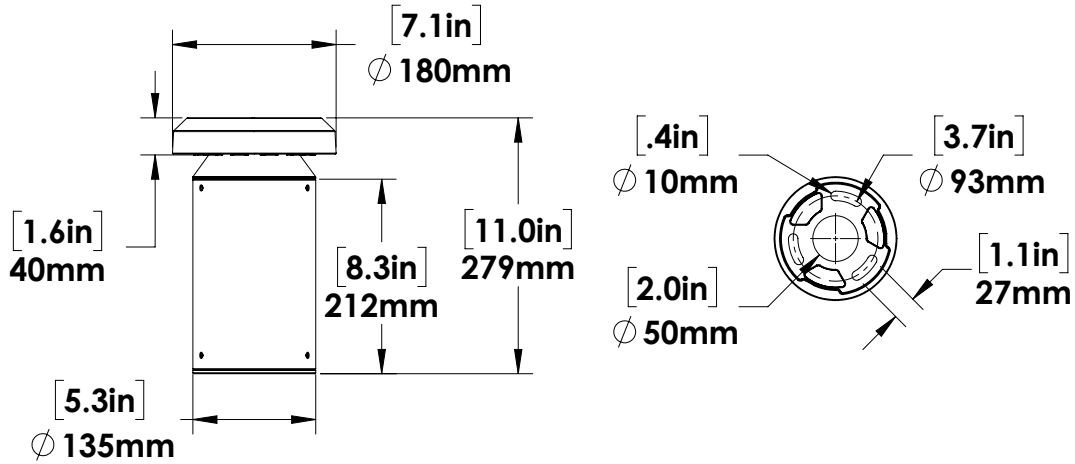
SPECIFICATIONS	SMT6H12-LED10	SMT6H24-LED20	SMT6H36-LED24
Watts	8 W	20 W	25 W
Lumens	840 Lm	2100 Lm	2625 Lm
Efficacy	105 Lm/W		
Voltage	120-277V*, 347V		
CCT	2700K, 4000K*, 5000K		
Dimming	1-10V Dimming		
THD	<20%		
Power Factor	0.95	0.98	0.95
Beam Distribution	Type V (360 degree)		
LED Life (L70)	≥ 50,000 hours		
Housing Finish	Bronze*, Custom Colours		
Housing Details	Extruded aluminum shaft, cast aluminum head and base.		
Surge Protection	6kV (inbuilt surge suppressor)		
Height	12'	24"	36"
Shaft Diameter	5.3"		
Operating Temp.	-40°C to +40°C (-40°F to 104°F)		
Certifications	ETL, Wet Location, IP66, IK10, DLC LUNA, DLC 5.1		

*Standard Configuration

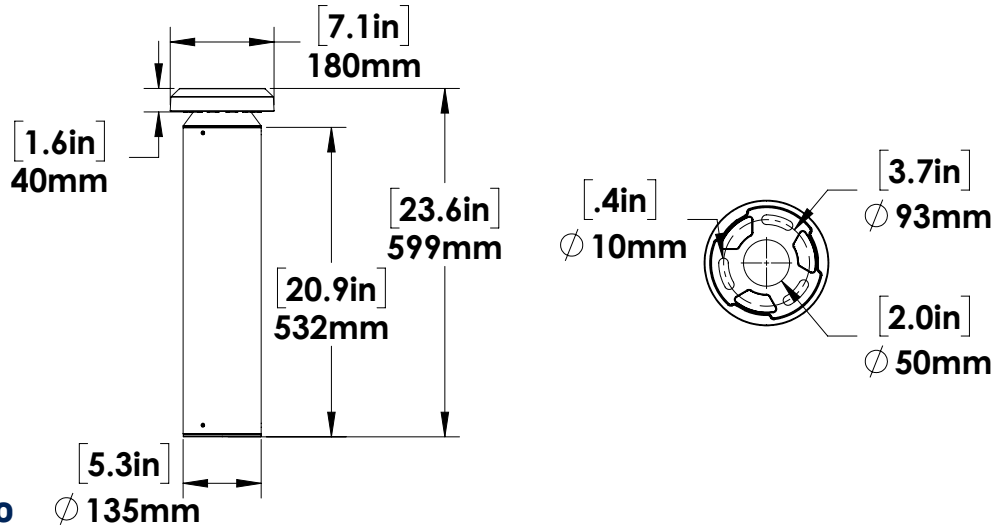


2700K only

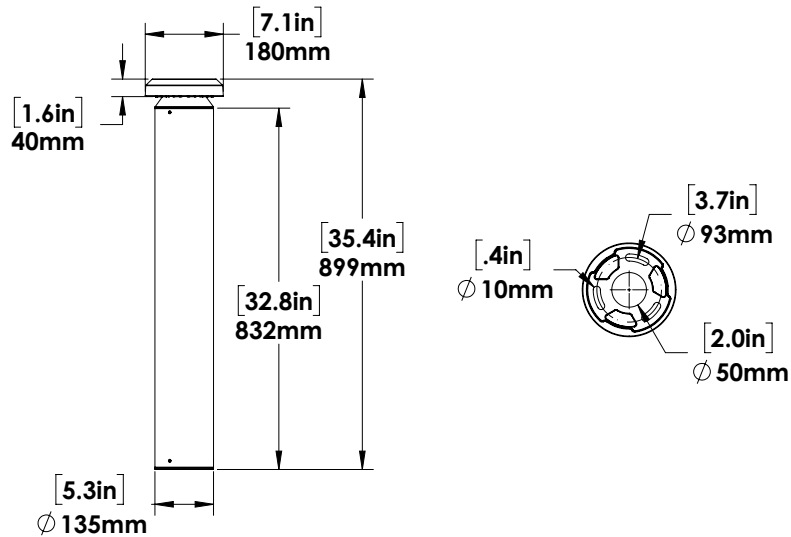
DIMENSIONS:



SMT6H12-LED10



SMT6H24-LED20



SMT6H36-LED24

AMPERAGE DRAW & SURGE PROTECTION

	CURRENT (A)					SURGE PROTECTION (kV)	
	120V	208V	240V	277V	347V	120-277V	347V
SMT6H12-LED10	0.09A	0.06A	0.05A	0.04A	0.04A	6kV	
SMT6H24-LED20	0.18A	0.11A	0.09A	0.08A	0.07A		
SMT6H36-LED24	0.21A	0.13A	0.11A	0.1A	0.08A		

SUMMIT LED BOLLARD



- 1. Full Cut-off Shielded Design**

 - Zero uplight
 - Dark Sky Friendly
- 2. Optics**

 - Designed for wide spread illumination and glare control.
 - Hidden from line of sight.

Anti Glare Cone Design

 - Eliminates glare above light aperture.
- 3. LED Module**

 - Options for 2700K, 4000K, 5000K CCT
- 4. Bollard Construction**

 - Die Cast Head with Internal heat sink, head has twist lock mechanism secured in place with stainless steel set screws. Extrude aluminum shaft. Both the head and shaft have a polyester powder coat paint finish.
- 5. Twist Lock Mechanism**

 - Base plate, shaft and head easily twist lock into place.

ORDERING GUIDE:

				T5	DIM		
Fixture	Wattage	Voltage	Colour Temp.	Optics	Finish	Dimming	
SMT6H12	LED10	B - 120-277V*	2.7K - 2700K	T5-360 Degrees	BRZ - Bronze*	DIM - 1-10V Dimming	
SMT6H24	LED20	C - 347V	4K - 4000K*		CC - Custom Colour		
SMT6H36	LED24		5K - 5000K				

*Standard Configuration

Note:

- 3/8-16" anchor bolt set and IP66 cable connector included with product.
- Anchor Bolt Template pattern can be accessed online under Resources.

STOCK CODE	DESCRIPTION
081418	SMT6H12-LED10-B-4K-T5-BRZ-DIM
081467	SMT6H24-LED20-B-4K-T5-BRZ-DIM
081466	SMT6H36-LED24-B-4K-T5-BRZ-DIM