



SBL6F-LED

Round Bollard, Flat Top Design



IDEAL APPLICATIONS



DESCRIPTION:

Field adjustable bollards with CCT and lumen select options in an elegant, round, dome top design. These bollards are ideal for pathway lighting in commercial and residential applications such as condos, townhouses, office buildings, university campuses, shopping malls, and more.

FEATURES:

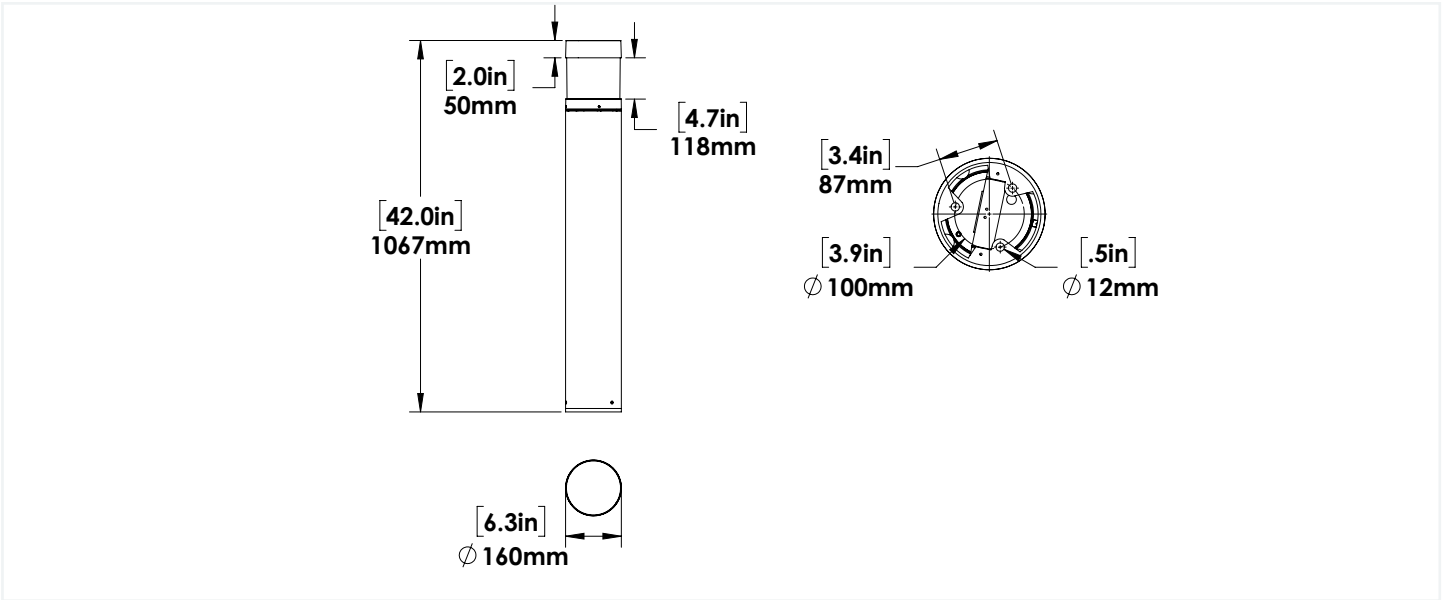
- CCT Select luminaire that allows the Installer to choose between 3000K/4000K/5000K at the time of installation.
- Lumen adjustable bollard with options for 2900 lumens at 22W, 2000 lumens at 16W, or 1500 lumens at 12W.
- Robust construction with extruded aluminum shaft, cast aluminum head and base.
- Corrosion resistant powder coating. Salt Spray tested for 1000 hours.
- Polycarbonate lens with UV inhibitors to prevent yellowing from the sun.
- Anchor bolts and template included.
- IK08 rated to withstand mechanical impact.

SPECIFICATIONS	SBL6F-LED
Tested Wattage (Maximum)	21.24 W
Tested Lumens (Maximum)	2923.85 Lm
Efficacy	137.66 Lm/W
Voltage	120-277V
CCT	Variable Kelvin (3000K/4000K/5000K)
CRI	86.8
Dimming	0-10V Dim (5% to 100%)
THD (%)	8.01%
Power Factor	0.994
Surge Suppression	2kV
Beam Distribution	Type V - 360 Degree
LED Life (L76)	100,000 hours
Housing Finish	Bronze
Housing Details	Extruded aluminum shaft, Cast aluminum head and base
Lens Details	Clear Polycarbonate
Mounting	Surface mount
Height	43.7"
Operating Temp.	-40°C to +40°C (-40°F to 104°F)
Certifications	UL, Wet Location, IP65, IK08, DLC Premium

Specs shown are maximum wattage, 4000K at 120V



DIMENSIONS:



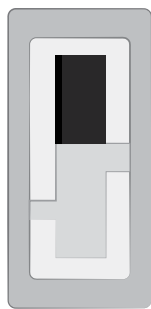
AMPERAGE DRAW & SURGE PROTECTION					
	CURRENT (A)				SURGE PROTECTION (kV)
	120V	208V	240V	277V	120-277V
SBL6F-LED	0.19A	0.11A	0.1A	0.09A	2kV

LUMEN ADJUSTABLE SETTINGS		
Power (W)	22	16
Lumens (lm)	2923	2000

TM-21 ESTIMATED LUMEN MAINTENANCE			
	50,000 Hours	75,000 Hours	100,000 Hours
SBL6F-LED	87.1%	81.3%	75.9%

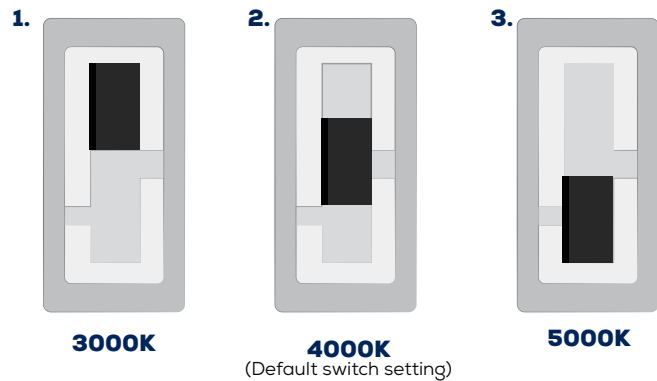
Life hours are derived from IESNA LM-80 testing report and projected per IESNA TM-21 calculations.

CCT SELECTABLE SWITCH



- 1.** 3000K
- 2.** 4000K
- 3.** 5000K

The switch is located inside of the fixture.



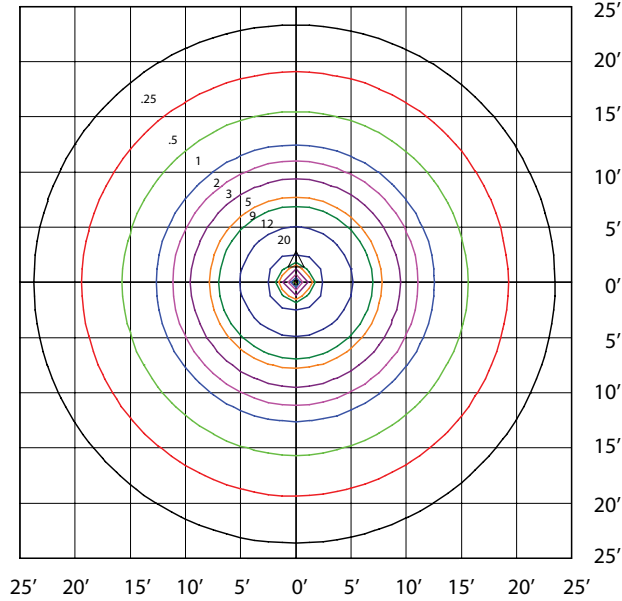
Easily change the colour temperature with the flip of a switch.

- 1.** TOP position = 5000K
- 2.** MIDDLE position = 4000K
- 3.** BOTTOM position = 3000K

SBL6D-LED22A12-B-VK-T5-BRZ-DIM
22 WATTS 4000K

Total Lumens = 3022

Maximum Calculated Value = 24.29 Fc



ORDERING GUIDE:

SBL6F	LED22A12	B	VK	T5	BRZ	DIM
Fixture	Wattage	Voltage	Colour Temp.	Optics	Finish	Dimming
	LED22A12	B - 120-277V	VK - Colour Selectable (3000K/4000K/5000K)	T5-360 Degree	BRZ - Bronze	DIM - 0-10V Dimming (5%-100%)

Note: Anchor bolt set of 3 and template included in package

STOCK CODE	DESCRIPTION
081345	SBL6F-LED22A12-B-VK-T5-BRZ-DIM