



ORA4-LED80

LED Wall/Flood Light



KNUCKLE MOUNT



YOKE MOUNT

Applications:
Perimeter lighting in condos, townhouses, malls, commercial buildings.

DESCRIPTION:

The ORA-LED series is a fully adjustable multi-purpose fixture that replaces traditional wall packs or floods. The ORA features a sleek elegant design with multiple mounting options.

FEATURES:

- Fixture head may be aimed down or aimed out as needed.
- Three mounting options available - knuckle, yoke and wall mount.
- Wall light/flood light with wide beam optics.
- Wall mount version comes with back box that has 4 conduit entries on left and right sides, bottom and the back
- 347V unit comes with a thicker back box and is available in the wall mount version only.
- Architectural wall mount box (without conduit entries) available as an option sold separately.
- 0-10V dimming is standard.
- 0.15 meter power cord for knuckle and wall mount units and 0.5 meter power cord for yoke mount units.
- The ORA-LED Series can also be used as a sign light with different ARMS. Please view page 4 for dimensional drawings.

SPECIFICATIONS

ORA4-LED80

Watts	76.1
Lumens	9574.5
Efficacy (Lm/W)	125.8
Replaces Up To	250W MH
Total Harmonic Distortion	14.2%
CRI	70
Power Factor	0.92
Voltage	120-277*, 347V**
CCT	4000K*
Dimming	0-10V Dimming*
LED Life @ 100,000 Hours	77%
Finish	Bronze*, Custom Colour
Housing Details	Die Cast Aluminum
Lens Details	Clear PC Lens
Mounting	Knuckle, Yoke, Wall Mount, Narrow Wall Mount Box
Operating Temp.	-40°C to +40°C
Certifications	UL, Wet Location, 5 Year Warranty, cJULus Certified as per UL1598 & CSA C22.2 NO. 250.0, DLC 5.1
Factory Installed Options	Photocell, Dimming PIR Motion Sensor**
Options Sold Separately	Architectural Wall Mount Box (without conduit entries)

* Standard Configuration
** The NWMB back box must be ordered when ordering 347V, Photocell or Motion Sensor.

347V FIXTURES ARE DLC STANDARD



SPECIFICATIONS

Model Number	Voltage (V)	Power (W)	Light Output (lm)	Efficacy (lm/W)	THD (%)	PF	CCT (K)	B-U-G
ORA4-LED80-B-4K-XXX-DIM-[KN;YK;WMC;NWMB]-[PC;Blank]	120-277	76	9575	125.8	14.2	0.922	4000	3-2-1
ORA4-LED80-C-4K-XXX-DIM-[KN;YK;WMC;NWMB]-[PC;Blank]	347	83	9589	115.4	12.6	0.949	4000	3-2-1

AMPERAGE DRAW & SURGE PROTECTION

	CURRENT (A)					SURGE PROTECTION (kV)	
	120V	208V	240V	277V	347V	120-277V	347V
ORA4-LED80	0.7A	0.41A	0.35A	0.31A	0.25A	4kV	

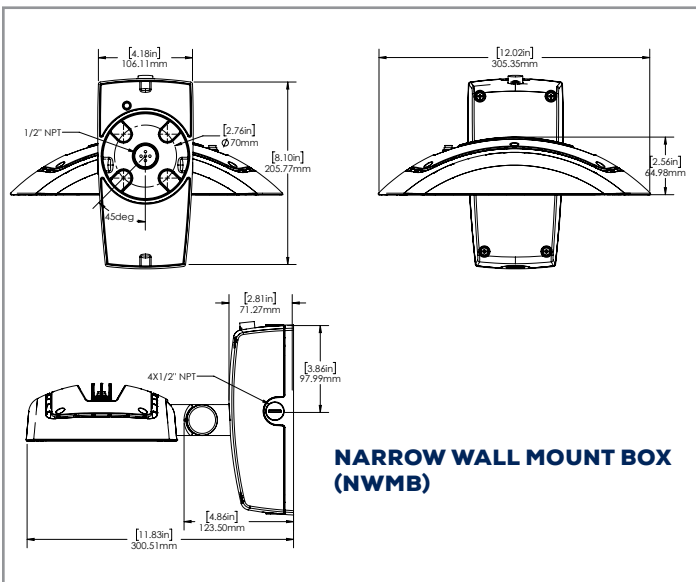
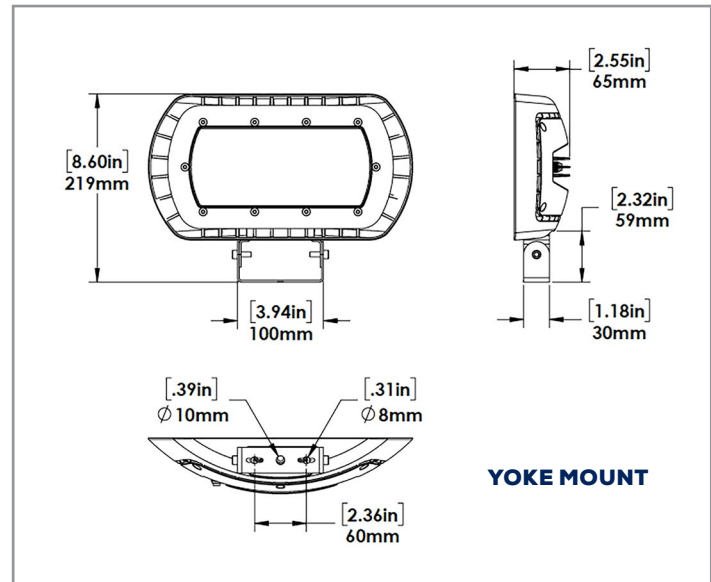
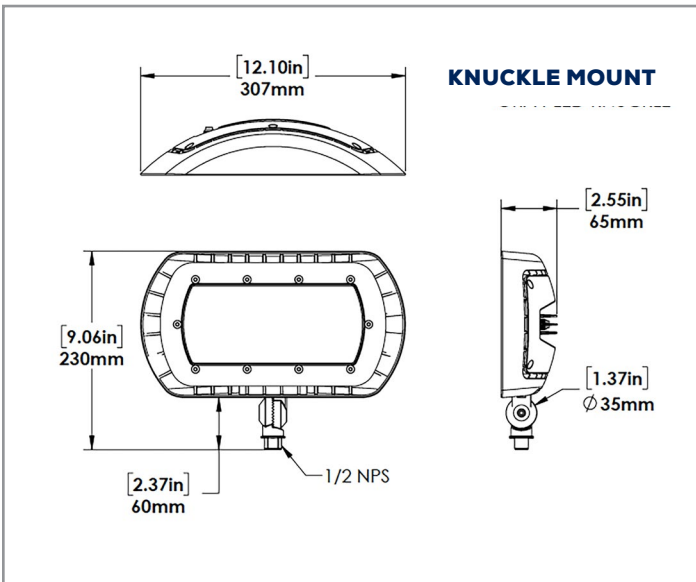
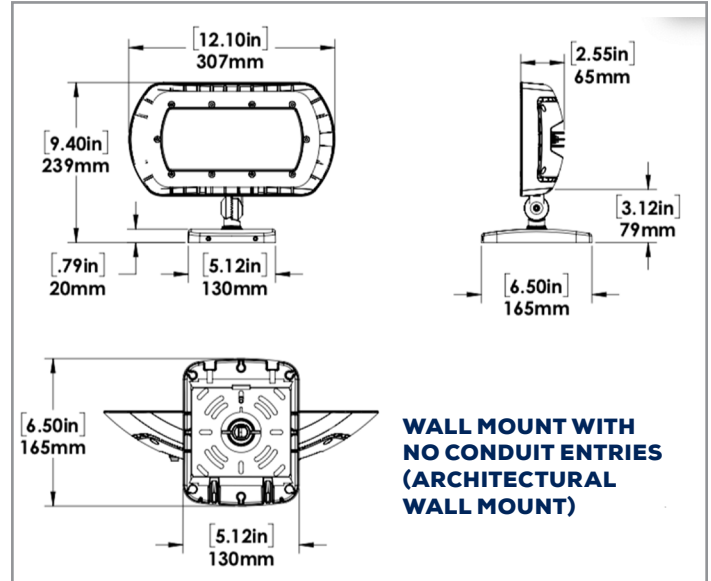
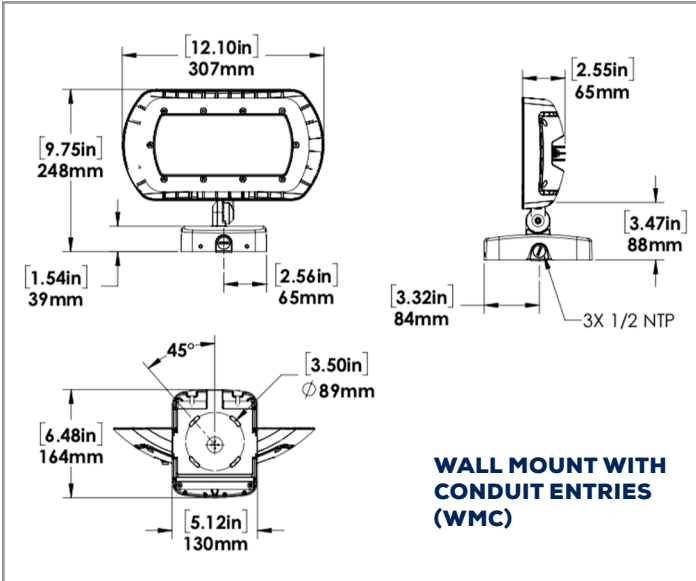
WEIGHT (lbs)

ORA4-LED80	7.2
------------	-----

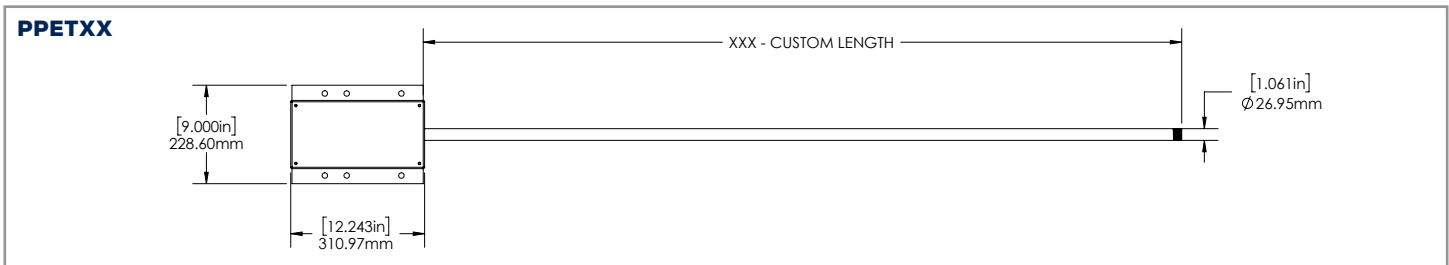
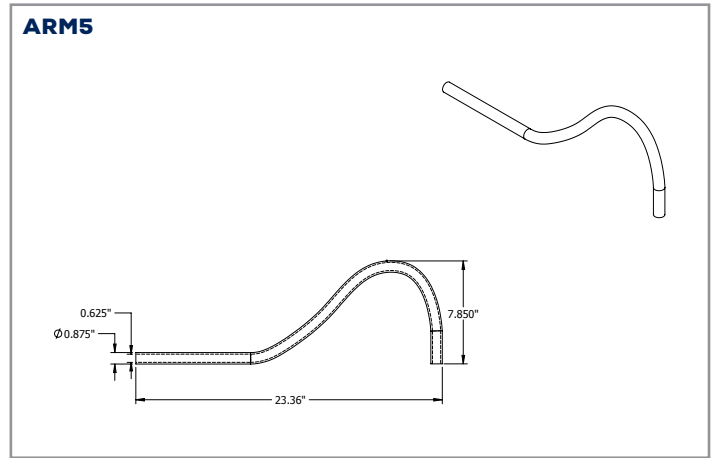
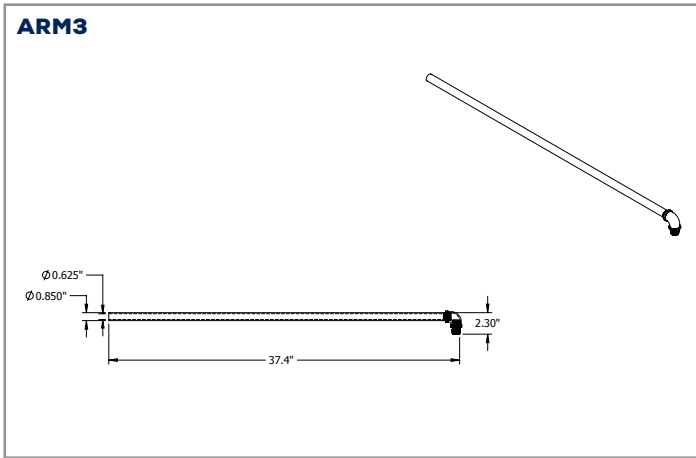
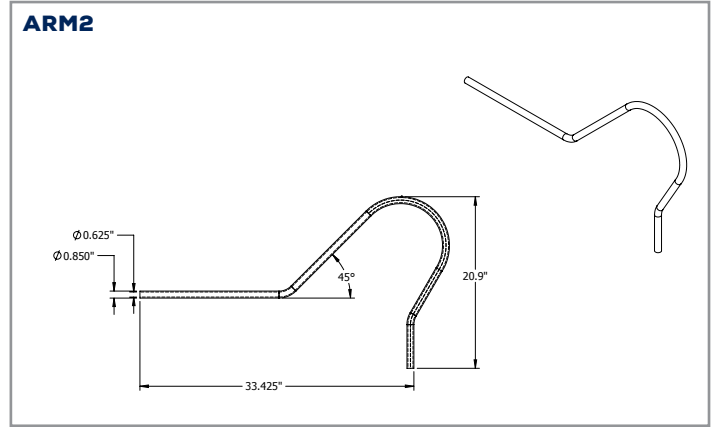
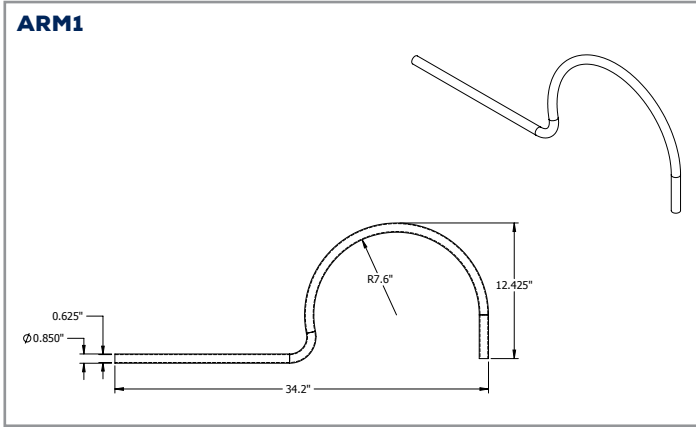
LUMEN MAINTENANCE

	50,000	75,000	100,000
ORA4-LED80	87.8%	82.2%	76.9%

DIMENSIONS:



SIGN LIGHT DIMENSIONS:

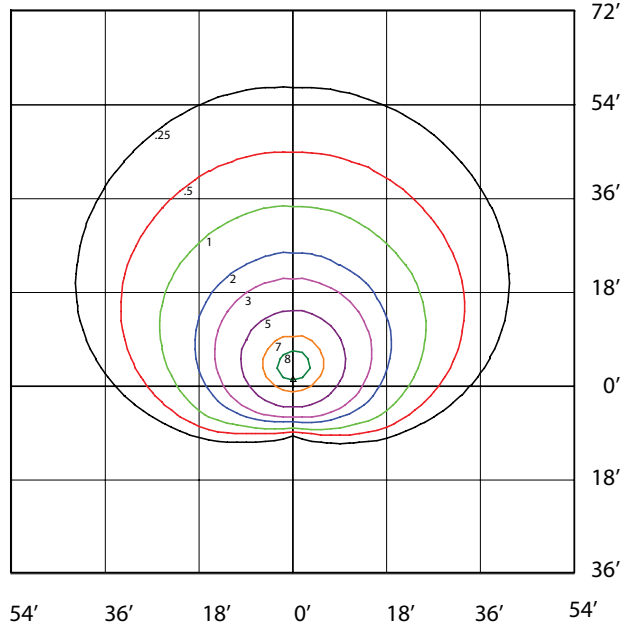


APPLICATION:



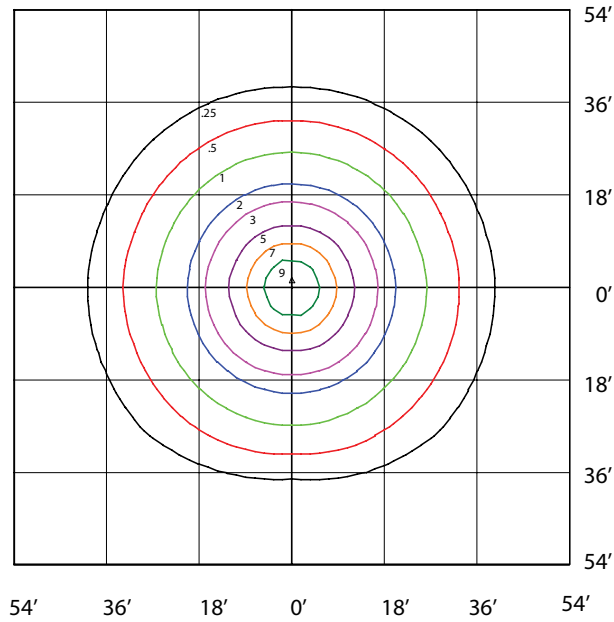
ORA4-LED80-B-4K-DIM
MOUNTED AT 18 FEET 45 DEGREE TILT

Total Lumens = 9576 Mounting Height = 18 Ft Maximum Calculated Value = 8.42 Fc



ORA4-LED80-B-4K-DIM
MOUNTED AT 18 FEET

Total Lumens = 9576 Mounting Height = 18 Ft Maximum Calculated Value = 10.78 Fc



ORDERING GUIDE:

ORA4	LED80		4K		DIM		
Wattage	Voltage	Colour Temp.	Paint Finish	Dimming	Controls	Mounting	
LED80 - 80W	B - 120-277V*	4K - 4000K	BRZ - Bronze*	DIM - 0-10V Dimming*	BLANK*	KN - Knuckle	
	C - 347V**		CC - Custom Colour		PC - Photocell	YK - Yoke	
						WMC - Wall Mount Box With Conduit Entries	
						NWMB - Narrow Wall Mount Box For 347V Only	

* Standard Configuration

** Must order NWMB Back Box when ordering 347V, Photocell or Motion Sensor

347V FIXTURES WILL BE DLC STANDARD ONLY AND COMES WITH A DEEP BACKBOX ONLY

ORDERING GUIDE - SIGN LIGHT:

ORA4	LED80	B	4K		DIM		
Wattage	Voltage	Colour Temp.	Paint Finish	Dimming	Mounting	Arm	
LED80 - 80W	B - 120-277V	4K - 4000K	BRZ - Bronze*	DIM - 0-10V Dimming*	KN - Knuckle	ARM1	
			CC - Custom Colour			ARM2	
						ARM3	
						ARM5	
						PPETXX - Parapet Mount with Custom Arm Length	

FIELD INSTALLED ACCESSORIES

Ordering Guide For Accessories

Check the items that you wish to order:

- 002255 - ORA 3/4 ARCHITECTURAL WALL MOUNT BRZ
(This accessory is compatible only with ORA with Knuckle mount)