



BOL6/BOL6LV-LED

BOLLARD SERIES



BOL6



BOL6LV

SPECIFICATIONS

Style	BOL6-LED20	BOL6LV-LED20
	Non-Louvred	Louvred
Watts	19	
Lumens	2,450	706
Efficacy (Lm/W)	129	37
Voltage	120-277V	
Colour Temp	4000K	
CRI	>70	
Dimming	0-10V Dimming (Dim to off)	
Operating Temp	-40°C to +50°C	
Total Harmonic Distortion	3.8%	
Power Factor	0.99	
Beam Distribution	Type V	
LED Life @ 100,000 Hours	96%	
Finish	Bronze	
Lens Details	Clear Polycarbonate Lens	
Housing Details	Die Cast Aluminum	
Certifications	UL, Wet Location, IP65	



DESCRIPTION

Sleek, modern looking bollards ideal for light commercial/residential applications such as walkways, town houses, parkettes, and more. Available in a louvred and non-louvred design.

IDEAL APPLICATIONS

- Walkways
- Town Houses
- Parkettes



Mounting
Base with
Terminal
Blocks

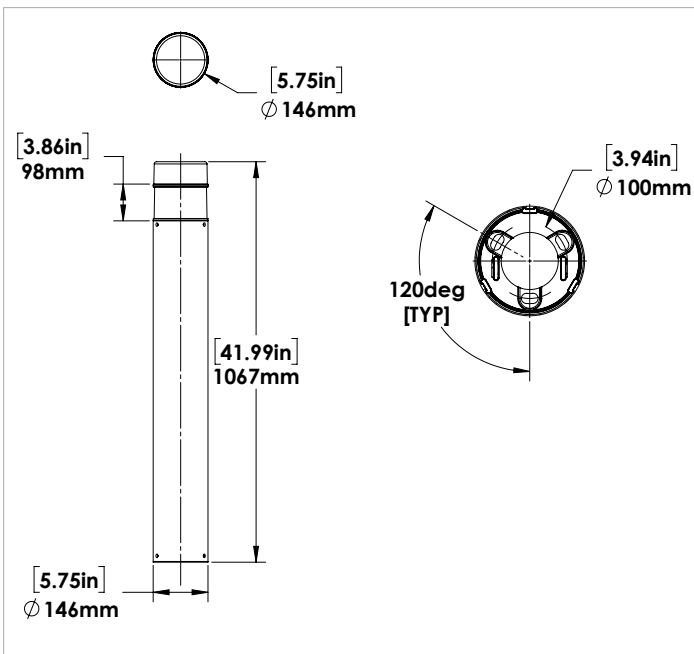
FEATURES

- Slim 6" round bollard in two versions - louvred, without louvers.
- Rugged design - extruded aluminum housing and cast aluminum base
- Polycarbonate lens
- Easy Install - Terminal block provided on base bracket of incoming supply wires.
- Quick disconnect located near the terminal block for simple connection to the LED driver.
- Complete with galvanized anchor bolts and template
- Only BOL6 is DLC approved.

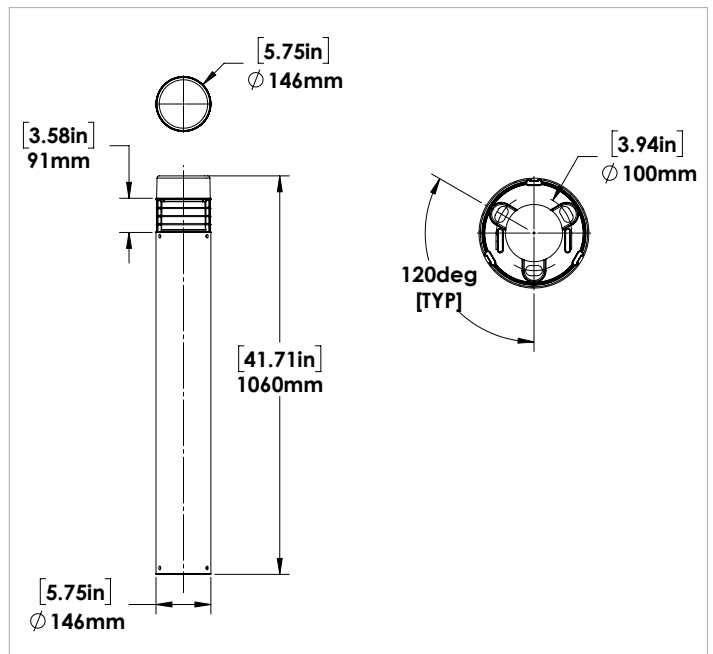
AMPERAGE DRAW AND SURGE PROTECTION					
	CURRENT(A)				SURGE PROTECTION (kV)
	120V	208V	240V	277V	120-277V
BOL6 / BOL6LV	0.18A	0.11A	0.09A	0.08A	2kV
LUMEN MAINTENANCE					
	50,000		75,000		100,000
BOL6/BOL6LV	97%		96%		96%

DIMENSIONS

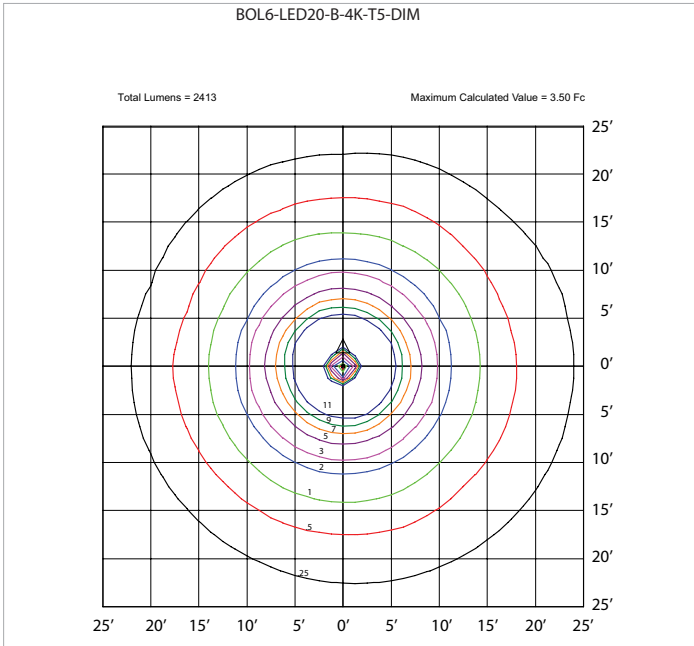
BOL6-LED



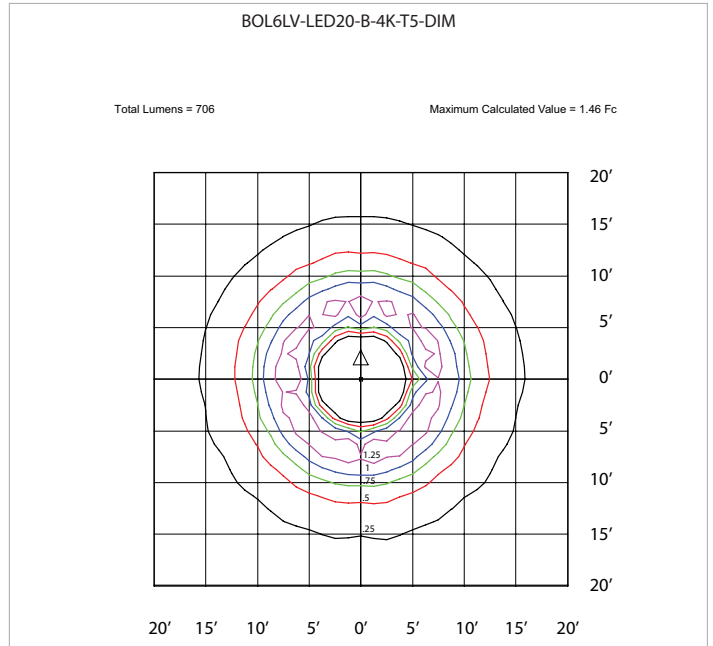
BOL6LV-LED



BOL6-LED20-B-4K-T5-DIM



BOL6LV-LED20-B-4K-T5-DIM



ORDERING GUIDE

	LED20	B	4K	T5	BRZ	DIM
FIXTURE	WATTS	VOLTAGE	COLOUR TEMP.	OPTICS	FINISH	DIMMING
BOL6	LED20	B - 120-277V	4K - 4000K	T5 - TYPE 5	BRZ - BRONZE	DIM - 0 -10V DIMMING
BOL6LV						

ORDERING CODES

080856 - BOL6-LED20-B-4K-T5-BRZ-DIM
 080858 - BOL6LV-LED20-B-4K-T5-BRZ-DIM