



SKYLINE-LED35

LED Area Light

SPECIFICATIONS*

Watts	38W
Lumens	4335
Efficacy	115.83 lm/W
Replaces Up To	150W MH
Colour Temp	5000K, 4000K*, 3000K
Operating Temp	-40°C to +40°C
Voltage	120-277V*, 347V
LED Life (L80)	>100,000 hours
Beam Distribution	Type V*, Type II, Type III, Type IV
Certification	cETLus, DLC
Housing Material	Die Cast Aluminum
Lens	Clear Glass
Power Factor	0.990
Total Harmonic Distortion	10.0%
CRI	>70
Mounting	Post top Mounting, 2-3/8" tenon, Pole Mount
Controls	Photocell, 3/7 PIN Receptacle



SKYLINE-PT3A
3 Arm Post Top



SKYLINE-PT1A
Curved Arm
Post Top



SKYLINE-PLM
Pole Mount Arm
For Round or
Square Poles



DESCRIPTION

SKYLINE is an architectural post top area light featuring a modern, European look. Intelligently designed, this fixture provides advanced optics available with Type II, Type III, Type IV, Type V options.

APPLICATIONS



Condos



Pathways



Commercial
Properties

FEATURES

- Sleek modern design.
- Mounting options include traditional 3 arm post top, stylish curved arm with post top, and the elegant pole mount arm for round or square poles.
- Photocell, 3/7 PIN Receptacle are optional.
- 10kV surge protection is standard.
- Advanced optics available with Type II, Type III, Type IV, Type V options.

*The above specs apply to the standard product configuration - SKY-LED35-B-4K-T5-BLK-DIM. For spec information on other product configurations please see page 2.

OTHER MODEL SPECIFICATIONS

DESCRIPTION	VOLTAGE (V)	INPUT POWER (W)	LIGHT OUTPUT (LM)	EFFICACY (LM/W)	THD (%)	PF	CCT (K)	B-U-G
SKY-LED35-B-3K-T2-XXX-DIM-[PC,Blank]	120-277	38	4373	116.5	10.0	0.990	3000	2-2-1
SKY-LED35-B-4K-T2-XXX-DIM-[PC,Blank]	120-277	38	4373	116.5	10.0	0.990	4000	2-2-1
SKY-LED35-B-5K-T2-XXX-DIM-[PC,Blank]	120-277	38	4489	119.6	10.0	0.990	5000	2-2-1
SKY-LED35-C-3K-T2-XXX-DIM-[PC,Blank]	347	42	4373	104.5	10.0	0.990	3000	2-2-1
SKY-LED35-C-4K-T2-XXX-DIM-[PC,Blank]	347	42	4373	104.5	10.0	0.990	4000	2-2-1
SKY-LED35-C-5K-T2-XXX-DIM-[PC,Blank]	347	42	4489	107.7	10.0	0.990	5000	2-2-1
SKY-LED35-B-3K-T3-XXX-DIM-[PC,Blank]	120-277	35	4042	114.8	10.0	0.990	3000	2-2-1
SKY-LED35-B-4K-T3-XXX-DIM-[PC,Blank]	120-277	35	4042	114.8	10.0	0.990	4000	2-2-1
SKY-LED35-B-5K-T3-XXX-DIM-[PC,Blank]	120-277	35	4078	115.8	10.0	0.990	5000	2-2-1
SKY-LED35-C-3K-T3-XXX-DIM-[PC,Blank]	347	38	4042	105.7	10.0	0.990	3000	2-2-1
SKY-LED35-C-4K-T3-XXX-DIM-[PC,Blank]	347	38	4042	105.7	10.0	0.990	4000	2-2-1
SKY-LED35-C-5K-T3-XXX-DIM-[PC,Blank]	347	38	4078	106.4	10.0	0.990	5000	2-2-1
SKY-LED35-B-3K-T4-XXX-DIM-[PC,Blank]	120-277	35	4072	115.7	10.0	0.990	3000	2-2-1
SKY-LED35-B-4K-T4-XXX-DIM-[PC,Blank]	120-277	35	4072	115.7	10.0	0.990	4000	2-2-1
SKY-LED35-B-5K-T4-XXX-DIM-[PC,Blank]	120-277	35	4214	119.8	10.0	0.990	5000	2-2-1
SKY-LED35-C-3K-T4-XXX-DIM-[PC,Blank]	347	38	4072	106.6	10.0	0.990	3000	2-2-1
SKY-LED35-C-4K-T4-XXX-DIM-[PC,Blank]	347	38	4072	106.6	10.0	0.990	4000	2-2-1
SKY-LED35-C-5K-T4-XXX-DIM-[PC,Blank]	347	38	4214	109.5	10.0	0.990	5000	2-2-1
SKY-LED35-B-3K-T5-XXX-DIM-[PC,Blank]	120-277	38	4335	115.3	10.0	0.990	3000	2-2-1
SKY-LED35-B-4K-T5-XXX-DIM-[PC,Blank]	120-277	38	4335	115.3	10.0	0.990	4000	2-2-1
SKY-LED35-B-5K-T5-XXX-DIM-[PC,Blank]	120-277	38	4626	123.1	10.0	0.990	5000	2-2-1
SKY-LED35-C-3K-T5-XXX-DIM-[PC,Blank]	347	40	4335	107.6	10.0	0.990	3000	2-2-1
SKY-LED35-C-4K-T5-XXX-DIM-[PC,Blank]	347	40	4335	107.6	10.0	0.990	4000	2-2-1
SKY-LED35-C-5K-T5-XXX-DIM-[PC,Blank]	347	42	4626	109.4	10.0	0.990	5000	2-2-1

LEGEND

B - 120V-277V, C - 347V

4K - 4000K, 5K - 5000K, 3K - 3000K

T2 - TYPE II BEAM, T3 - TYPE III BEAM, T4 - TYPE IV BEAM, T5 - TYPE V BEAM

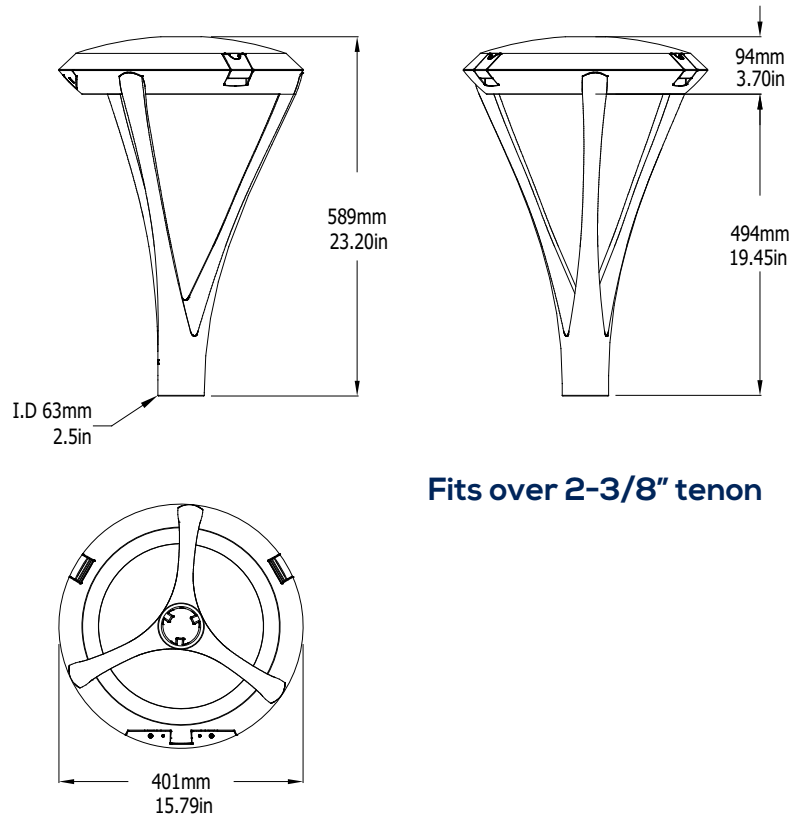
XXX - HOUSING FINISH

DIM - 0-10V DIMMING

PC - Photocell

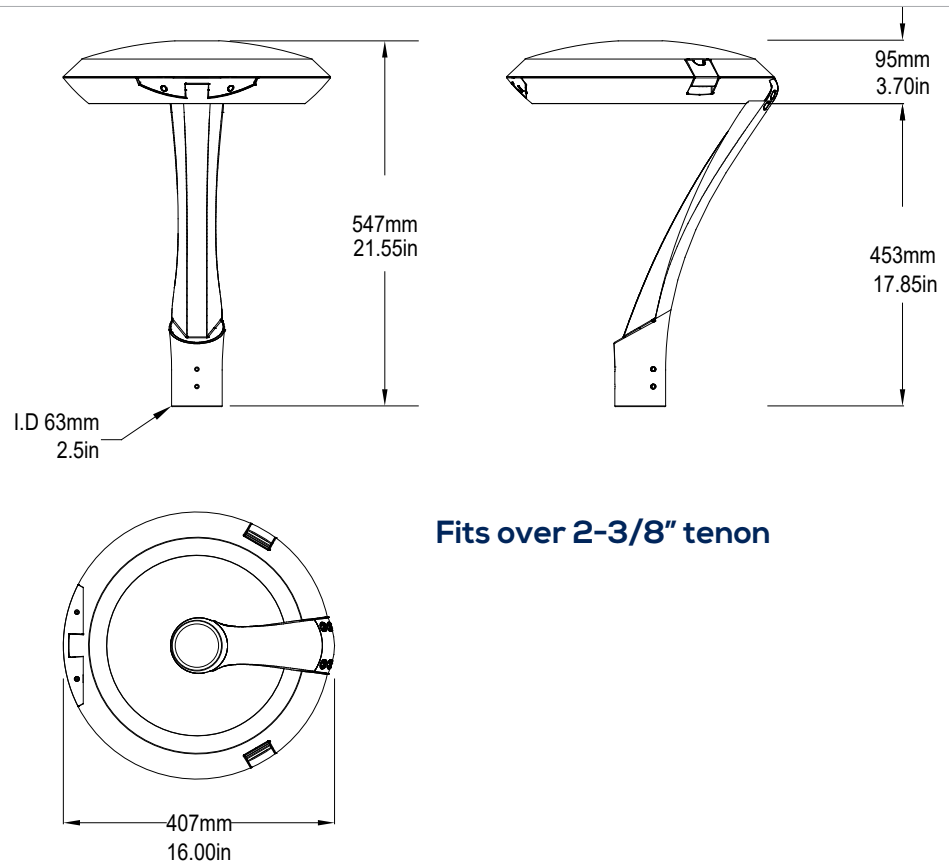
DIMENSIONS

SKYLINE-PT3A



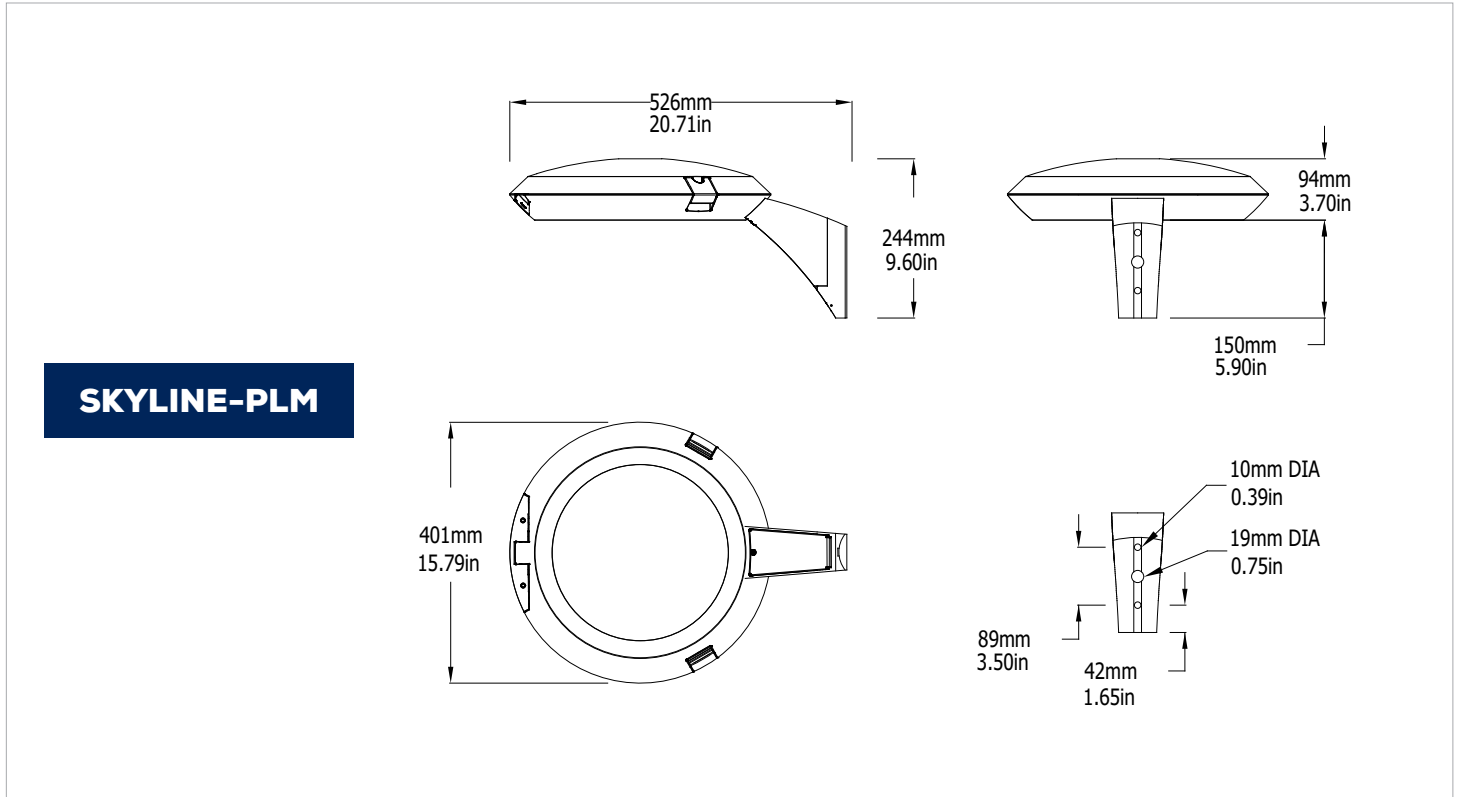
Fits over 2-3/8" tenon

SKYLINE-PT1A



Fits over 2-3/8" tenon

DIMENSIONS

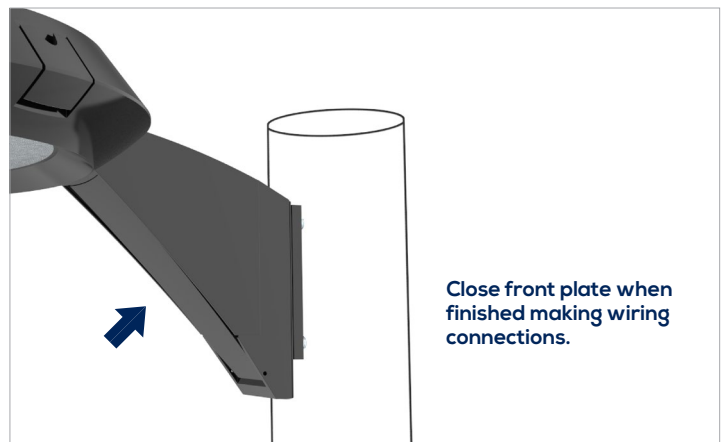
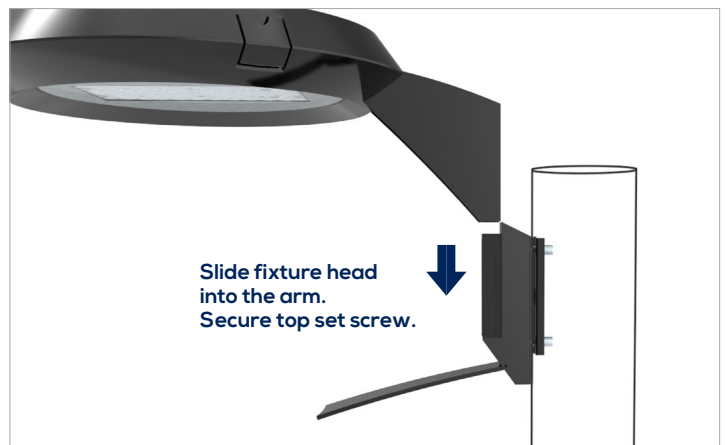
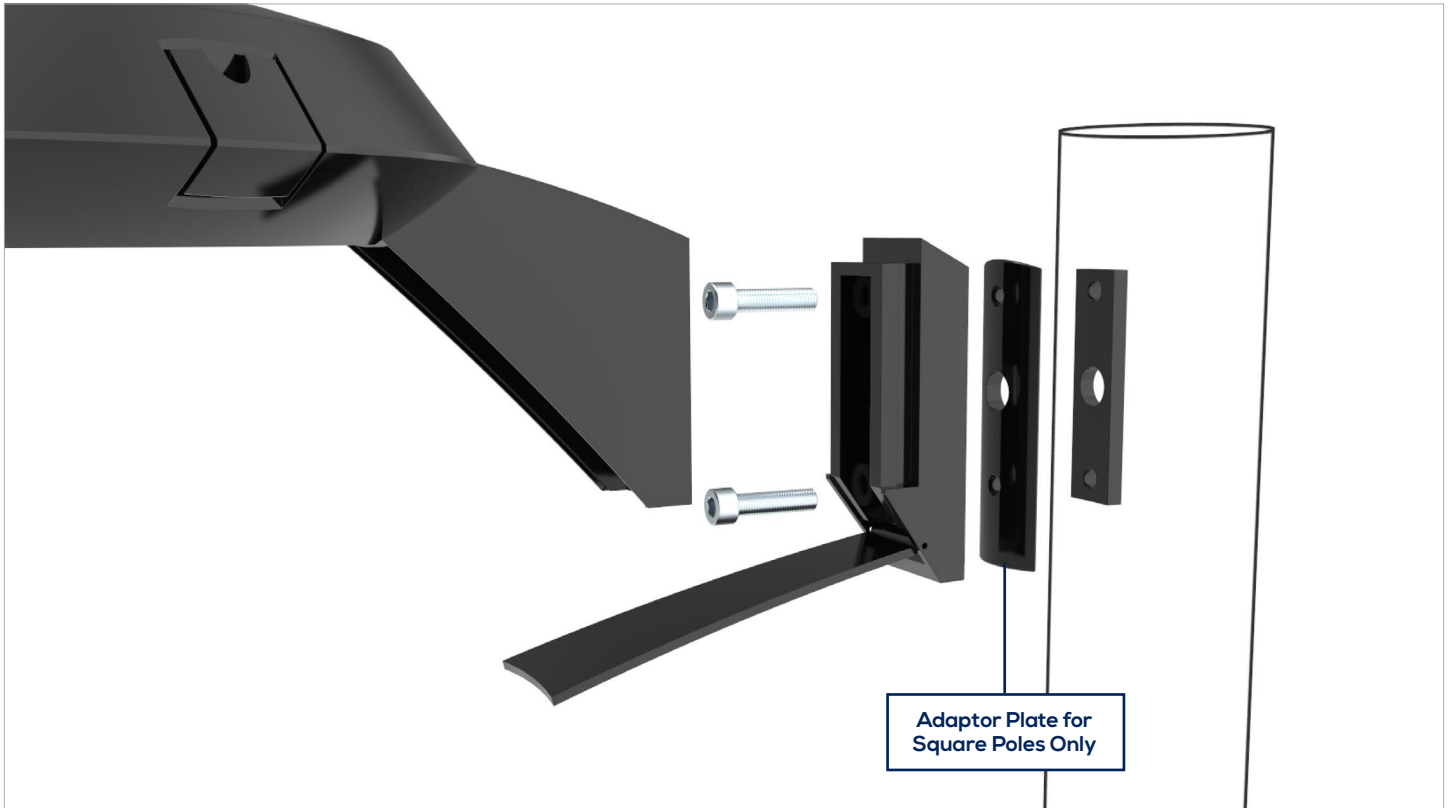


	EPA	WEIGHT
SKYLINE-PT1A	0.93	23 lbs
SKYLINE-PT3A	1.17	23 lbs
SKYLINE-PLM	0.66	23 lbs

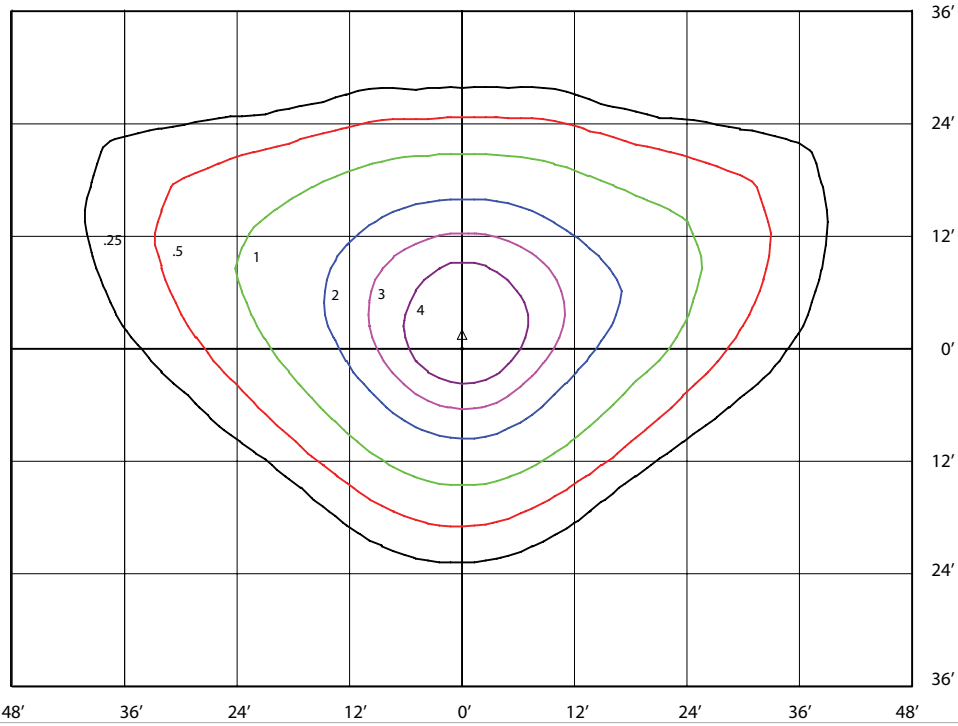
LUMEN MAINTENANCE			
	50,000 Hours	75,000 Hours	100,000 Hours
SKY-LED35	90%	85%	81%

AMPERAGE DRAW & SURGE PROTECTION							
	Current (A)					Surge Protection (kV)	
	120V	208V	240V	277V	347V	120-277V	347V
SKY-LED35	0.31A	0.18A	0.16A	0.14A	0.11A	10kV	10kV

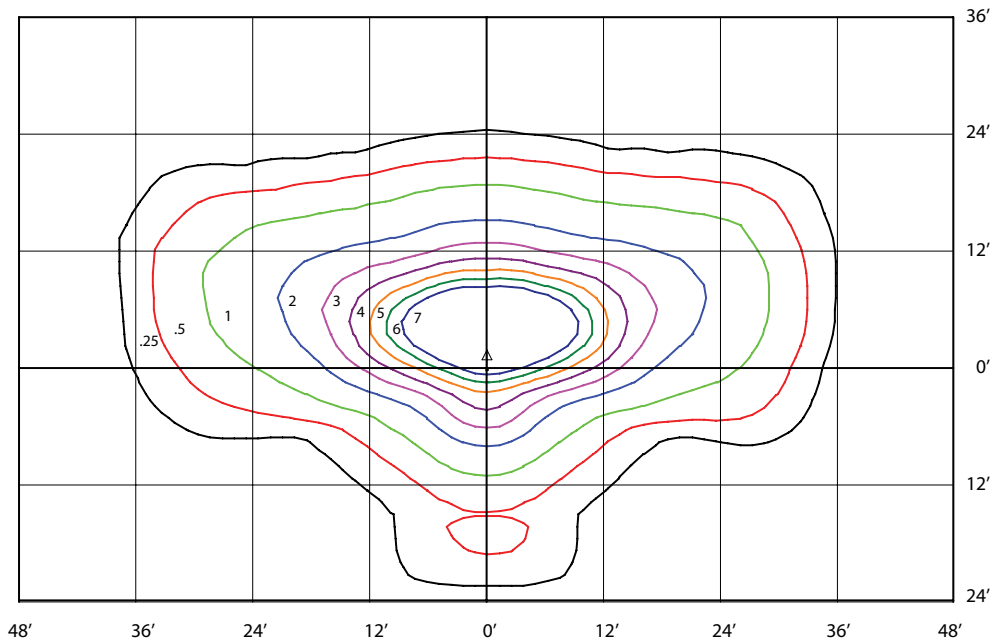
POLE ADAPTOR



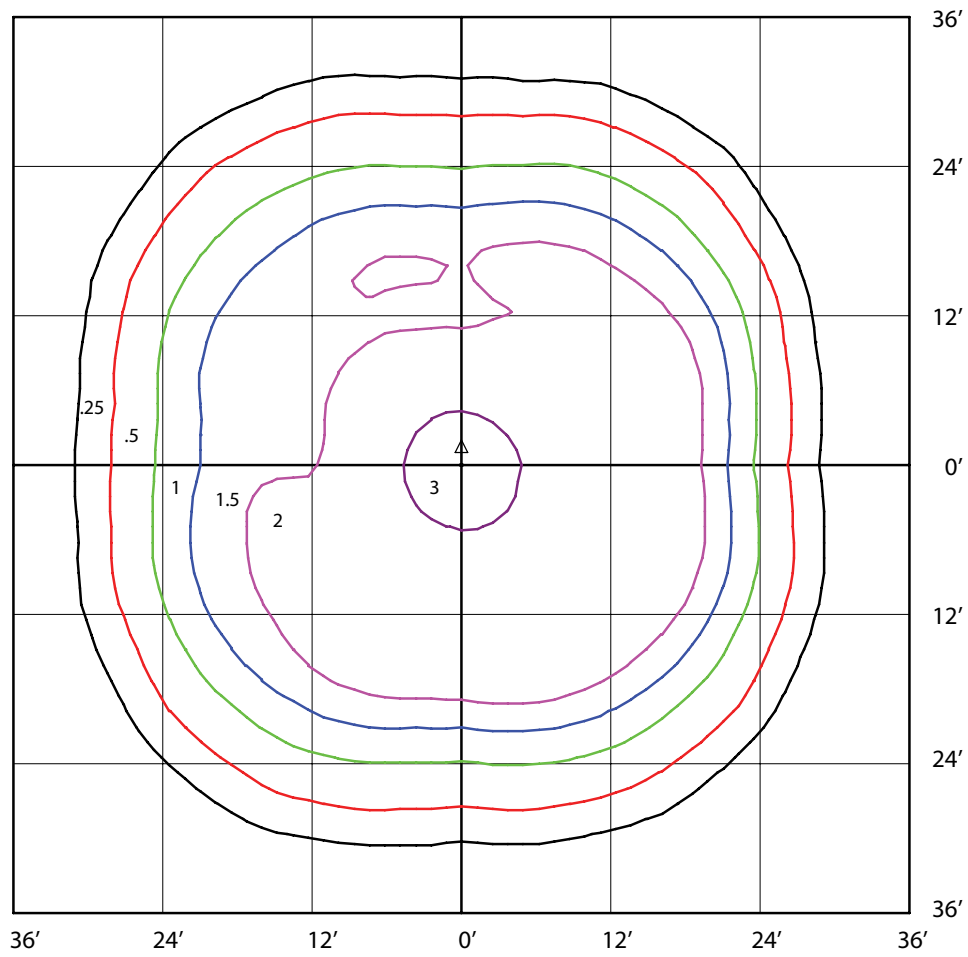
SKY-LED35-B-4K-T3-DIM-PLM
 MOUNTED AT 12 FEET
 MAXIMUM CALCULATED VALUE 5 Fc
 TOTAL LUMENS 4104



SKY-LED35-B-4K-T2-DIM-PLM
 MOUNTED AT 12 FEET
 MAXIMUM CALCULATED VALUE 11.40 Fc
 TOTAL LUMENS 4874



SKY-LED35-B-4K-T5-DIM-PLM
MOUNTED AT 12 FEET
MAXIMUM CALCULATED VALUE 3.68 Fc
TOTAL LUMENS 4973



ORDERING GUIDE



WATTS	VOLTAGE	COLOUR TEMP.	BEAM	FINISH	DIMMING
	B - 120 - 277V*	4K - 4000K*	T5 - TYPE 5*	BLK-BLACK*	DIM-0-10V DIMMING
	C - 347V	5K - 5000K	T4 - TYPE 4	CC-CUSTOM COLOURS	
		3K - 3000K	T3 - TYPE 3		
			T2 - TYPE 2		



MOUNTING	OPTIONS
PT3A - POST TOP MOUNT WITH 3 ARMS	PC - Photocell
PT1A - POST TOP MOUNT WITH CURVED ARM	7PIN - 7 PIN RECEPTACLE FOR SMART CONTROLS
PLM - POLE MOUNT ARM FOR ROUND or SQUARE POLES	3PIN - 3 PIN RECEPTACLE FOR ON/OFF PHOTOCELLS

*Standard Configuration.