



CPL14-LED30A18

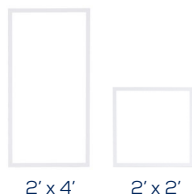
Lumen Adjustable | Colour Selectable
LED Panel

SPECIFICATIONS

Watts	28W, 24W, 18W
Lumens	3500 max
Efficacy (Lm/W)	125 Lm/W
Colour Temp	3.5K, 4K, 5K 4K (Default)
Operating Temp	-20°C to +40°C
Voltage	120-227V 120-347V
THD	12.4%
Material	PMMA Lens (acrylic lens) Frame: Aluminum
Beam Angle	120°
Mounting	T-bar ceiling mount (standard), suspension or surface mount kits (optional)
Dimming	0-10V (10%-100%)
PF	>0.9



Other Available Sizes:



2' x 4'

2' x 2'



Note: Standard Packaging
Sold With 2 Fixtures Per Box

DESCRIPTION

Ceiling panels with back-lit technology that provide uniform distribution, superior performance and reduced glare.

APPLICATIONS



Offices



Schools



Retail



Commercial
Spaces

FEATURES

- Lumen Adjustable and Colour Selectable Backlit LED Panels
- 3 switch settings for lumen adjustment - 28W/24W/18W
- 3 switch settings for colour selection - 3.5K/4K/5K
- Aluminum frame and PMMA lens
- 1x4, 2x2, 2x4 panels in 3500K, 4000K or 5000K
- Standard units mount in T-grid ceiling applications
- Surface mount and suspension mount kits available
- Factory Installed Option: Lutron Athena Wireless Node allows zone and control changes digitally and wirelessly in a smart control system.

AMPERAGE DRAW & SURGE PROTECTION

CURRENT (A)				SURGE PROTECTION (kV)
120V	208V	240V	277V	120-277V
0.27A	0.16A	0.14A	0.12A	4kV

LUMENANCE MAINTENANCE

50,000 HOURS	75,000 HOURS	100,000 HOURS
90%	86%	82%

Weights (lbs)

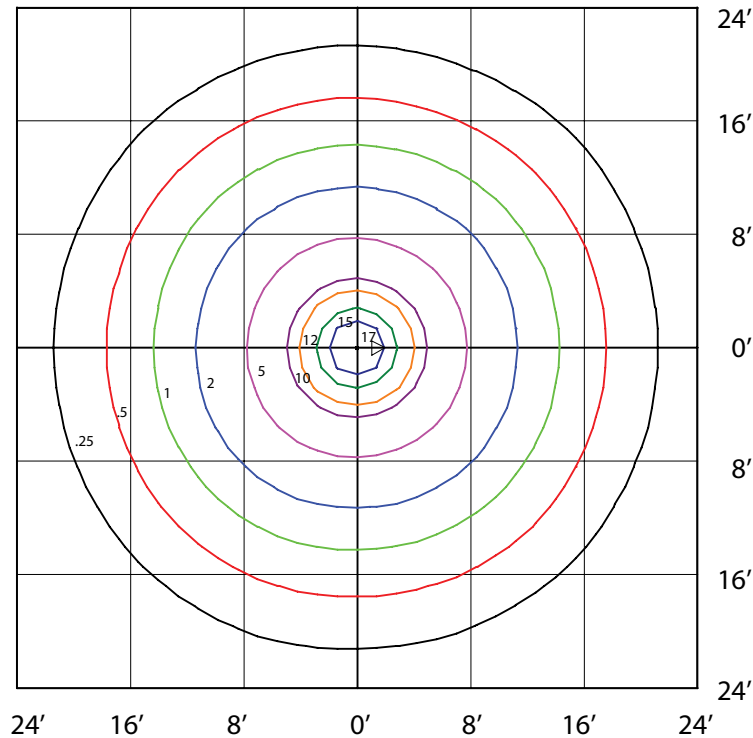
5.2

CPL14-LED30-B-35K-DIM (CPL14-LED30A18-B-VK-DIM)
MOUNTED AT 8 FEET

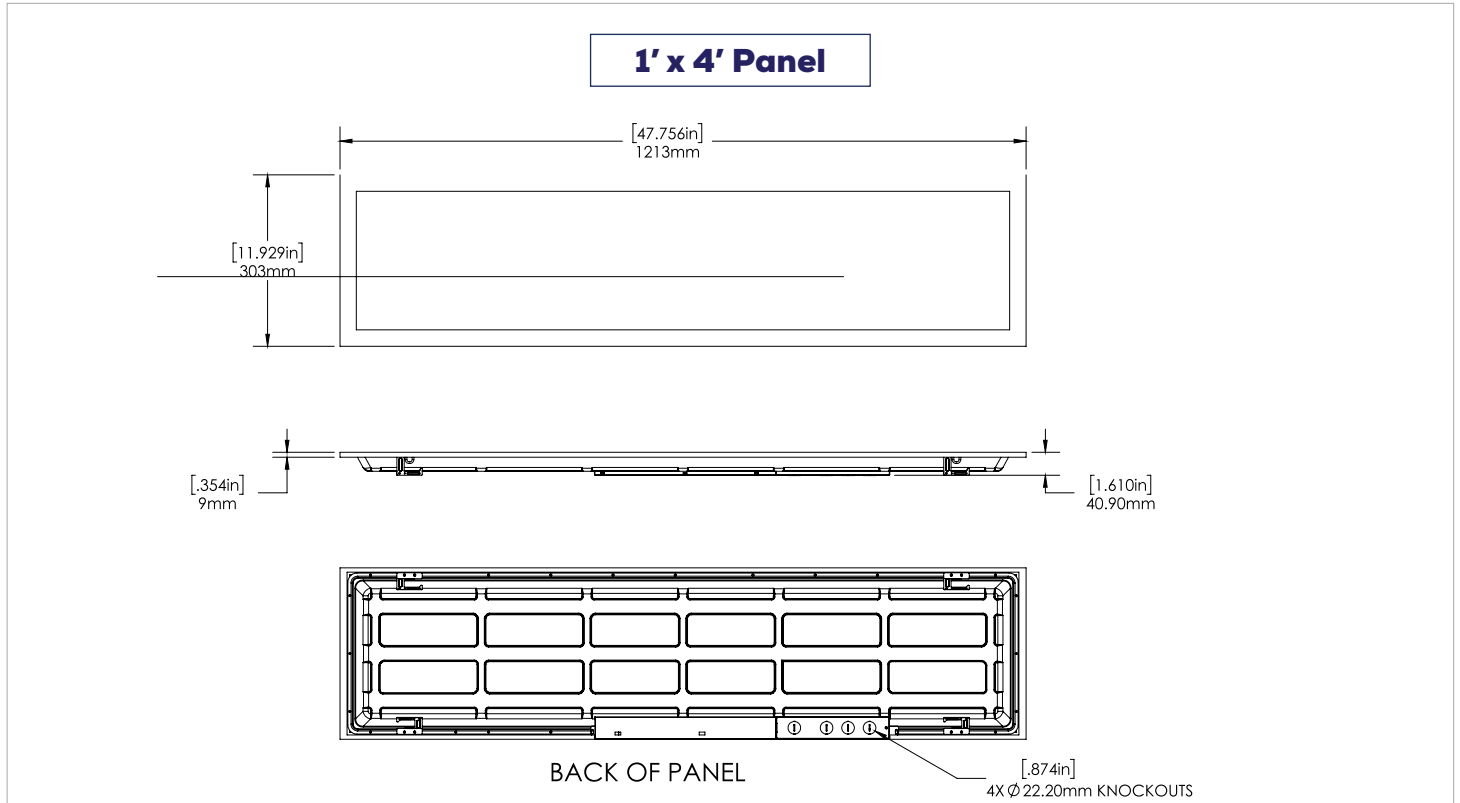
Total Lumens = 3629

Mounting Height = 8 Ft

Maximum Calculated Value = 19.14 Fc

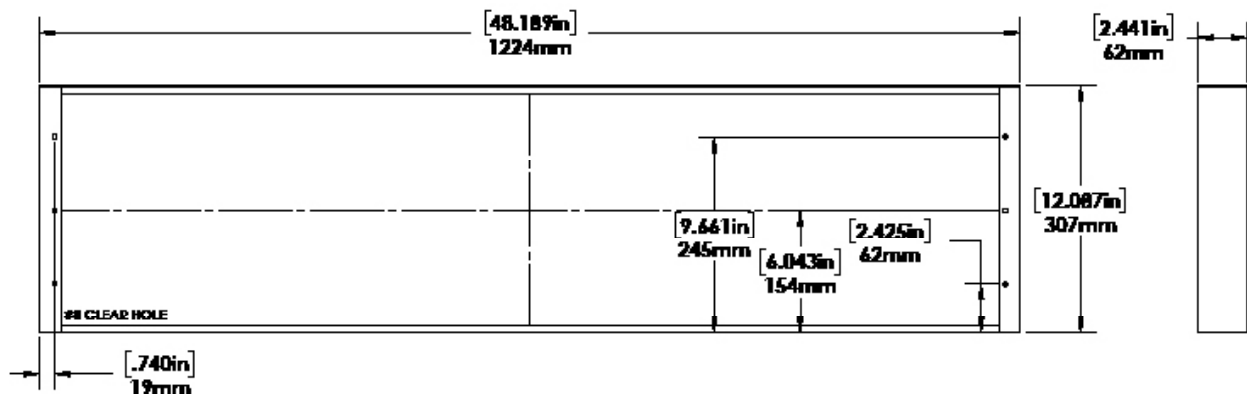


DIMENSIONS



Note: Suspension Mounting Accessory Kit has a maximum length of 3.86 ft. and minimum length of 0.58 ft.

SURFACE MOUNTING KIT



ORDERING GUIDE

CPL14	LED30A18		VK	DIM	
		VOLTAGE	COLOUR TEMP.	DIMMING	CONTROLS
		B - 120-277V H - 120-347V	VK - Colour Selectable (3.5K/4K/5K)	DIM - 0-10V Dimming*	Blank - No Controls* AWN - Lutron Smart Control**

*Standard Configuration

**Factory installed Lutron Athena Wireless Node with RF only (A-WN-D01-RF-XX). Gateway and controller not included. Cannot be used with surface mount kit.

ACCESSORIES (OPTIONAL)

070002 - 2 CABLE SUSPENSION
MOUNT KIT F/BACKLIT CPL

071400 - CPL14 SURFACE
MOUNTING KIT WHT