



VR100-16 VR200-16 REFLECTOR

The VR100-16 AND VR200-16 reflector are designed for the ceiling mount and pendant mount VAKS and VCS series. Ideal for use when you want to reflect the light down. Standard colour is white, other colours available upon request.

VR100-16 Spun aluminum reflector with a cast fitter to fit the VAKS100 AND VCS100 series. Reflector has a white powder coat finish.

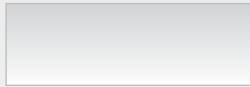
VR200-16 Spun aluminum reflector with a cast fitter to fit the VAKS200 AND VCS200 series. Reflector has a white powder coat finish.

FINISH Standard finish is white. Some of the most common colours are black, red and blue. For other colours please consult factory.

VR100-16 AND VR200-16



Catalog Code



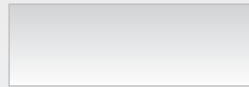
VR100-16



FINISH

IF WHITE FINISH LEAVE
BLANK
BLK - BLACK
RD - RED
BL - BLUE
CC - CUSTOM COLOUR

Catalog Code



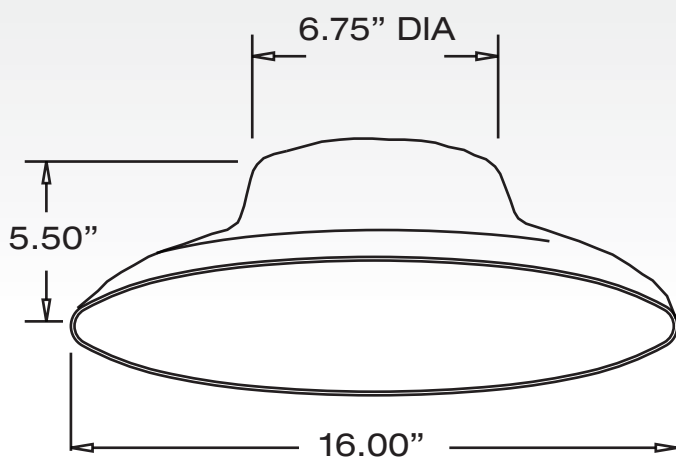
VR200-16



FINISH

IF WHITE FINISH LEAVE
BLANK
BLK - BLACK
RD - RED
BL - BLUE
CC - CUSTOM COLOUR

Dimensions



Dimensions

