



CPL14-LED30

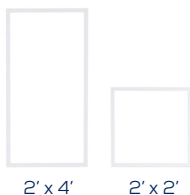
Backlit LED Ceiling Panel

SPECIFICATIONS

Watts	30W
Lumens	3825
Efficacy (Lm/W)	127.5
Colour Temp	3.5K, 4K, 5K
Operating Temp	-20°C to +40°C
Voltage	120-277V, 120-347V
THD	<20%
Material	PMMA Lens (acrylic lens) Frame: Aluminum
Beam Angle	120°
Mounting	T-bar ceiling mount (standard), suspension or surface mount kits (optional)
Dimming	0-10V (10%-100%)
PF	>0.9



Other Available Sizes:



 **Quick Ship Available**

DESCRIPTION

Ceiling panels with back-lit technology that provide uniform distribution, superior performance and reduced glare.

APPLICATIONS



Offices



Schools



Retail

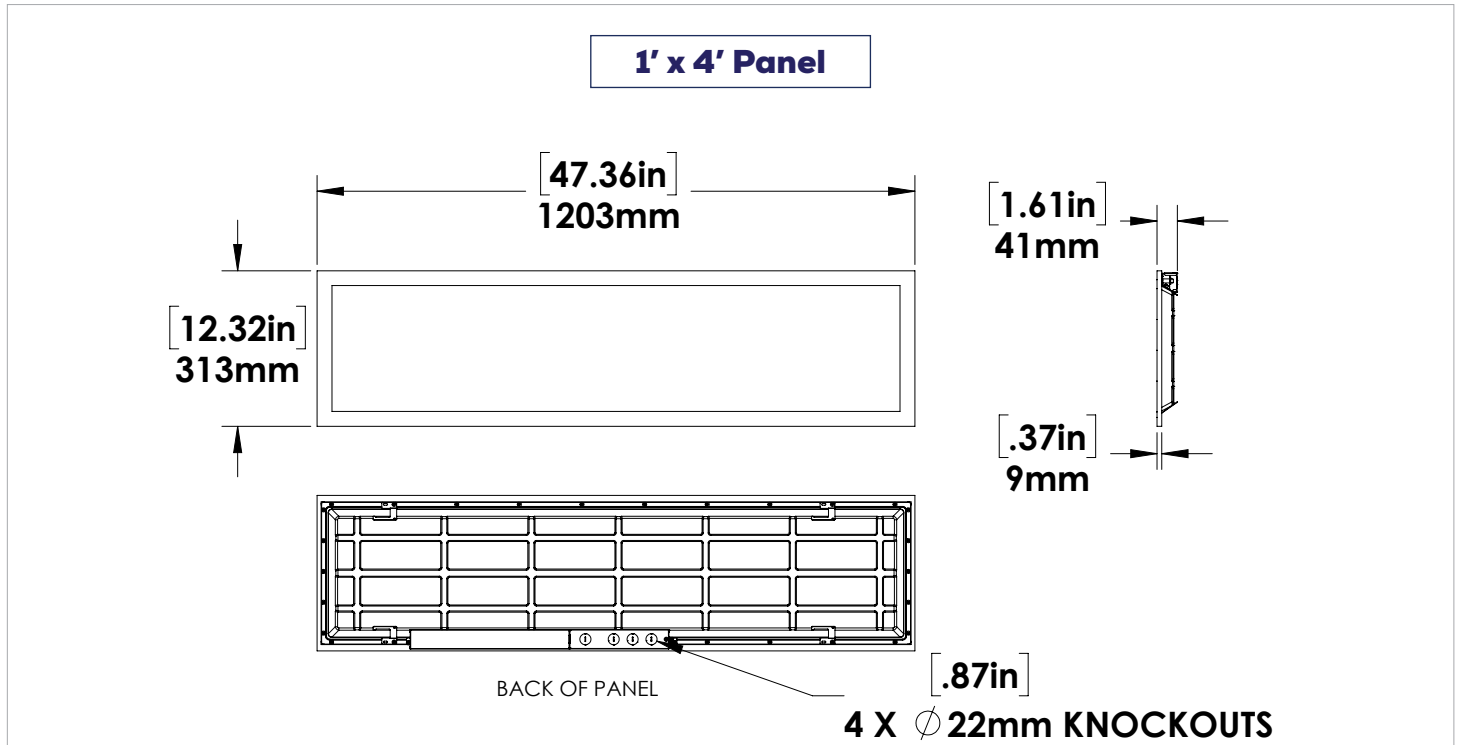


Commercial
Spaces

FEATURES

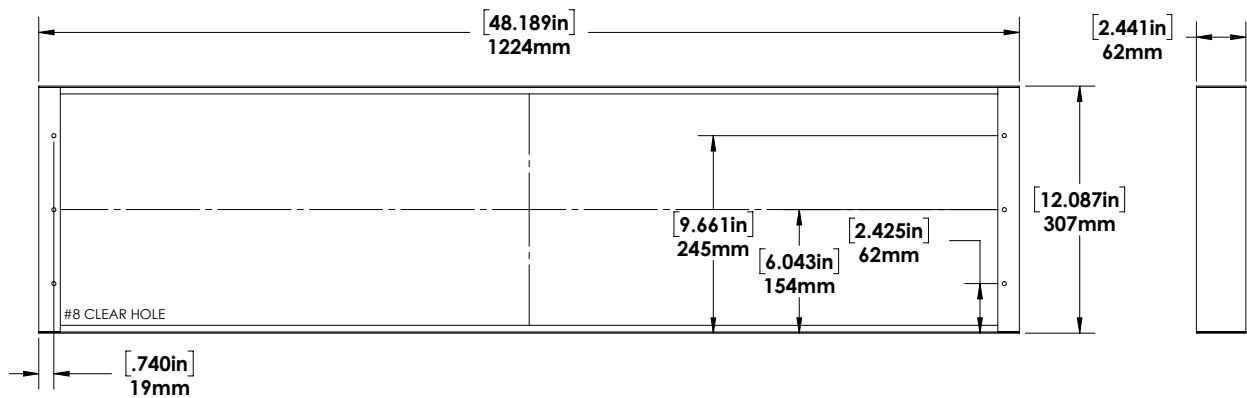
- Backlit ceiling panels with aluminum frame and PMMA lens.
- 1x4, 2x2, 2x4 panels in 3500K, 4000K or 5000K.
- Standard units mount in T-grid ceiling applications.
- Surface mount and pendant mount kits available.
- Quick ship program on all SKUs.

DIMENSIONS

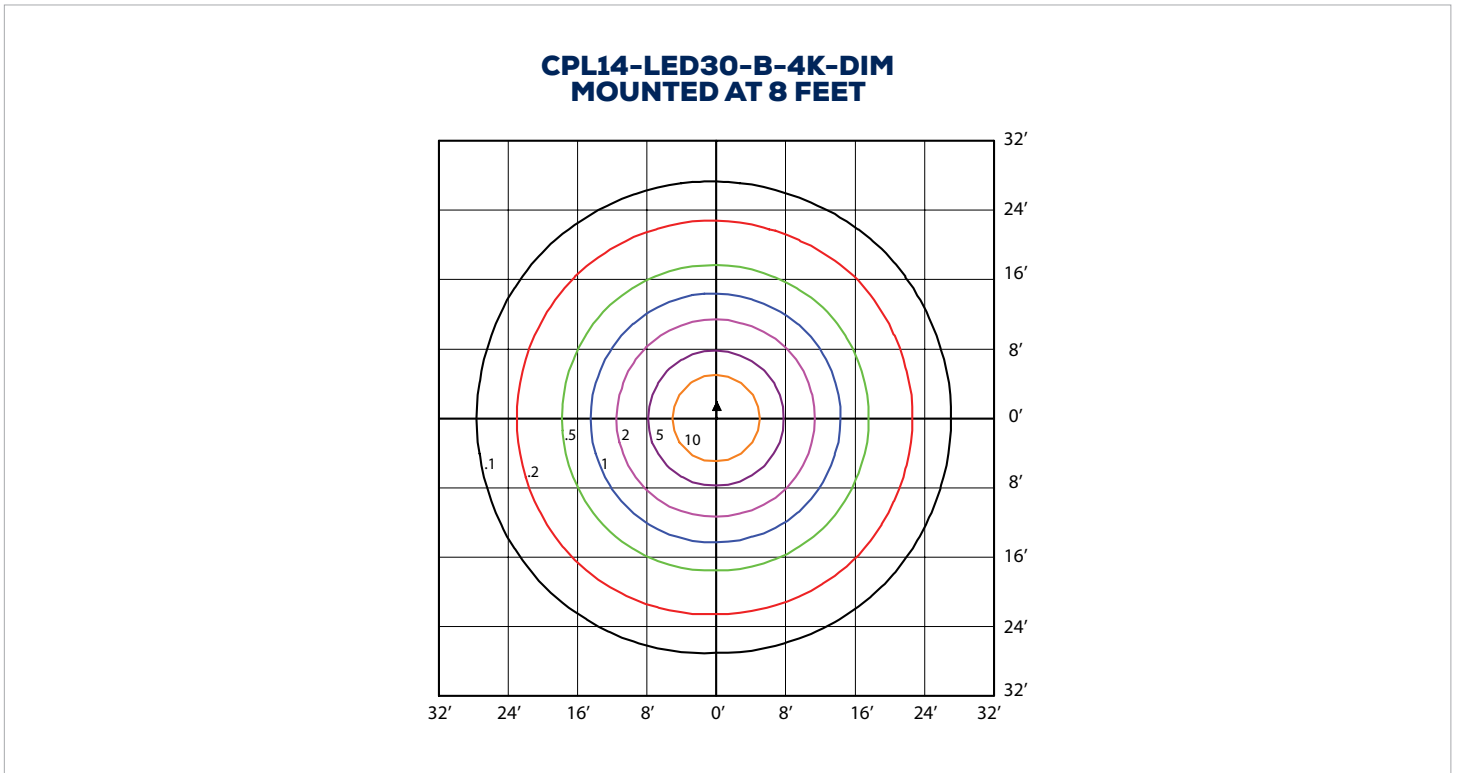


Note: Suspension Mounting Accessory Kit has a maximum length of 3.86 ft, and minimum length of 0.58 ft.

SURFACE MOUNTING KIT



PHOTOMETRICS



MODEL SPECIFICATIONS

MODEL DESCRIPTION	VOLTAGE (V)	WATTAGE (W)	LIGHT OUTPUT (LM)	EFFICACY (LM/W)	THD (%)	PF	CCT (K)	CRI
CPL14-LED30-B-3.5K-DIM	120-277	30	3750	125	11.71	0.9093	3500	82.8
CPL14-LED30-B-4K-DIM	120-277	30	3825	127.5	11.71	0.9093	4000	82.8
CPL14-LED30-B-5K-DIM	120-277	30	3825	127.5	11.71	0.9093	5000	82.8
CPL14-LED30-H-3.5K-DIM	120-347V	30	3750	125.0	9.8	0.900	3500	80.0
CPL14-LED30-H-4K-DIM	120-347V	30	3825	127.5	9.8	0.900	4000	80.0
CPL14-LED30-H-5K-DIM	120-347V	30	3825	127.5	9.8	0.900	5000	80.0

LEGEND

B - 120V-277V, H - 120-347V
 3.5K - 3500K, 4K - 4000K, 5K - 5000K
 DIM - 0-10V Dimming

ORDERING GUIDE

CPL14	LED30			
		VOLTAGE	COLOUR TEMP.	DIMMING
		B - 120-277V*	3.5K - 3500K*	DIM - 0-10V Dimming*
		H - 120-347V	4K - 4000K*	
			5K - 5000K*	

*Standard Configuration

ACCESSORIES (OPTIONAL)

070002 - 2 CABLE SUSPENSION MOUNT KIT F/BACKLIT CPL


071400 - CPL14 SURFACE MOUNTING KIT WHT

6 DIGIT STOCK CODE GUIDE

The backlit CPL-LED series has codes which correspond with the size and colour temperature of each available model:

03	14	35
FIXTURE VOLTAGE:	FIXTURE DIMENSIONS:	COLOUR TEMPERATURE:
03 = 120-347V (B) 07 = 120-277V (H)	14 = 1' X 4' 22 = 2' X 2' 24 = 2' X 4'	35 = 3500K 40 = 4000K 50 = 5000K

120-277V Fixtures

 1' x 4'

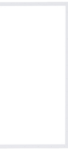
CPL14-LED30

CODE	DESCRIPTION	COLOUR TEMP.
071435	CPL14-LED30-B-3.5K-DIM	3500K
071440	CPL14-LED30-B-4K-DIM	4000K
071450	CPL14-LED30-B-5K-DIM	5000K

 2' x 2'

CPL22-LED30

CODE	DESCRIPTION	COLOUR TEMP.
072235	CPL22-LED30-B-3.5K-DIM	3500K
072240	CPL22-LED30-B-4K-DIM	4000K
072250	CPL22-LED30-B-5K-DIM	5000K

 2' x 4'

CPL24-LED40

CODE	DESCRIPTION	COLOUR TEMP.
072435	CPL24-LED40-B-3.5K-DIM	3500K
072440	CPL24-LED40-B-4K-DIM	4000K
072450	CPL24-LED40-B-5K-DIM	5000K

120-347V Fixtures

CPL14-LED30

CODE	DESCRIPTION	COLOUR TEMP.
031435	CPL14-LED30-H-3.5K-DIM	3500K
031440	CPL14-LED30-H-4K-DIM	4000K
031450	CPL14-LED30-H-5K-DIM	5000K

CPL22-LED30

CODE	DESCRIPTION	COLOUR TEMP.
032235	CPL22-LED30-H-3.5K-DIM	3500K
032240	CPL22-LED30-H-4K-DIM	4000K
032250	CPL22-LED30-H-5K-DIM	5000K

CPL24-LED40

CODE	DESCRIPTION	COLOUR TEMP.
032435	CPL24-LED40-H-3.5K-DIM	3500K
032440	CPL24-LED40-H-4K-DIM	4000K
032450	CPL24-LED40-H-5K-DIM	5000K